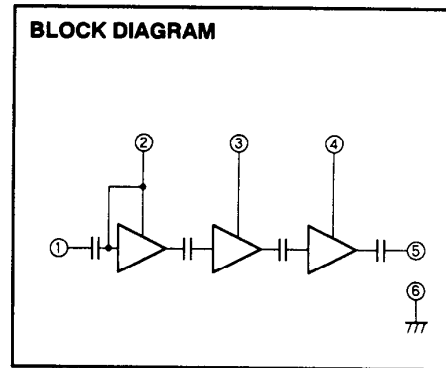
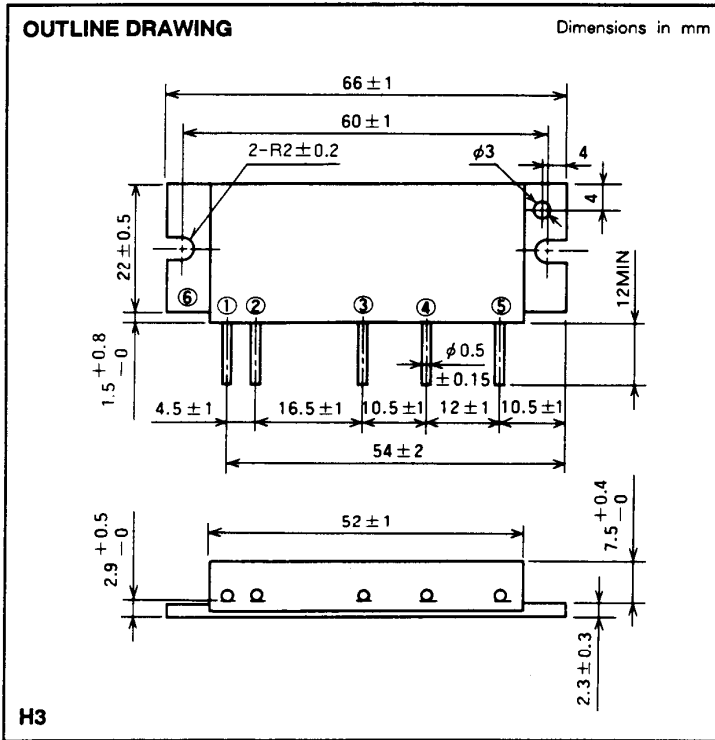


M57714L

400-420MHz, 12.5V, 7W, FM MOBILE RADIO



- PIN :
- ① Pin : RF INPUT
 - ② Vcc1 : 1st. DC SUPPLY
 - ③ Vcc2 : 2nd. DC SUPPLY
 - ④ Vcc3 : 3rd. DC SUPPLY
 - ⑤ Po : RF OUTPUT
 - ⑥ GND : FIN

ABSOLUTE MAXIMUM RATINGS (Tc = 25°C unless otherwise noted)

Symbol	Parameter	Conditions	Ratings	Unit
Vcc	Supply voltage		17	V
Icc	Total current		4	A
P _{in(max)}	Input power	Z _G = Z _L = 50 Ω	0.2	W
P _{O(max)}	Output power	Z _G = Z _L = 50 Ω	12	W
T _{c(OP)}	Operation case temperature		- 30 to 110	°C
T _{stg}	Storage temperature		- 40 to 110	°C

Note. Above parameters are guaranteed independently.

ELECTRICAL CHARACTERISTICS (Tc = 25°C unless otherwise noted)

Symbol	Parameter	Test conditions	Limits		Unit
			Min	Max	
f	Frequency range	P _{in} = 0.1W Vcc = 12.5V Z _G = Z _L = 50 Ω	400	420	MHz
P _O	Output power		7		W
η _T	Total efficiency		38		%
2f _o	2nd. harmonic			- 30	dBc
ρ _{in}	Input VSWR			2	-
-	Load VSWR tolerance	Vcc = 15.2V, P _O = 7W (P _{in} : controlled) Load VSWR=20:1 (All phase), 2sec. Z _G = 50 Ω	No degradation or destroy		-

Note. Above parameters, ratings, limits and conditions are subject to change.

