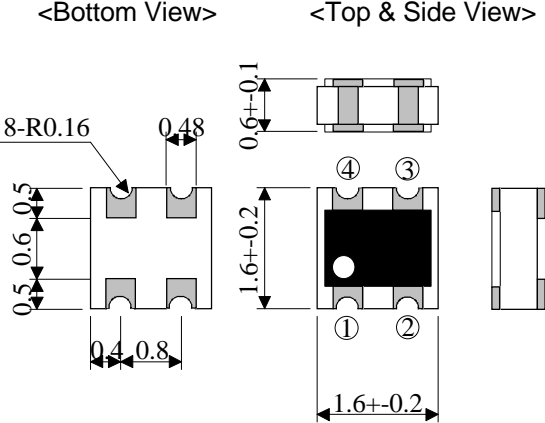


# EHF FD1791, FD1792, FD1793 EHF FD1794, Coupler/Divider

[Dimensions] unit : mm

[Pin Assignment]



No.	
1	IN
2	OUT
3	R
4	D. OUT

[Characteristics] Ta=25°C

No.	Item	Specification				Unit
		FD1791	FD1792	FD1793	FD1794	
1	Frequency	720-	720-	720-	890-	MHz
		760	760	760	920	
2	Insertion Loss (OUT)	1 max	1 max	2 max	2.5 max	dB
3	Coupling (D. OUT)	12+-1	10+-1	6+-1	6+-1	dB
4	Isolation	20 min	22 min	20 min	18 min	dB

[Equivalent Circuit]

[Recommended Land Size]

