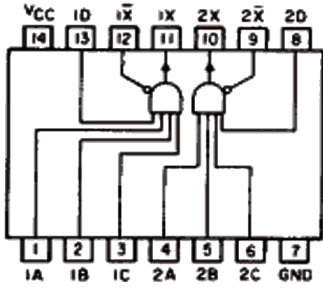




# INTEGRATED CIRCUIT PINOUTS CONT.

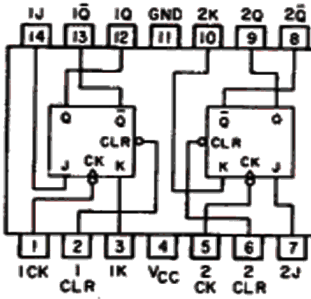
## SK7460

Dual 4-Input Expanders  
Outline No. IC-048



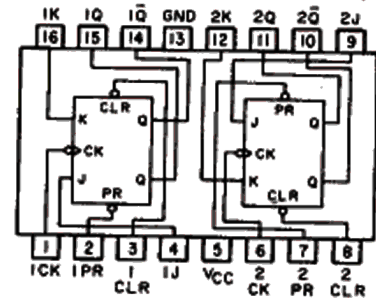
## SK7473 SK74LS73

Dual J-K Flip-Flop with Clear  
Outline No. IC-048



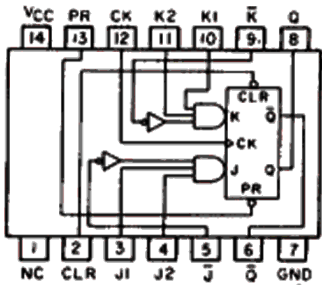
## SK7476 SK74LS76A

Dual J-K Flip-Flop, Preset & Clear  
Outline No. IC-048



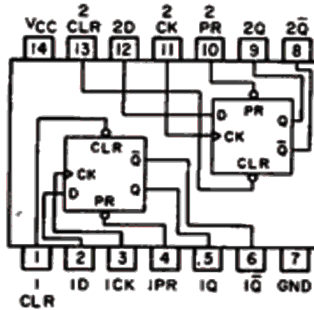
## SK7470

AND-Gate J-K Pos-Edge-Trig Flip-Flop, Preset & Clear  
Outline No. IC-048



## SK7474 SK74LS74A SK74S74

Dual D-Type Pos-Edge-Trig Flip-Flop, Preset & Clear  
Outline No. IC-049



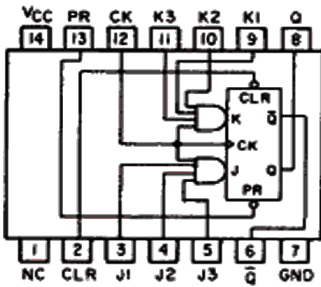
## SK74LS77

4-Bit D Latch  
Outline No. IC-141



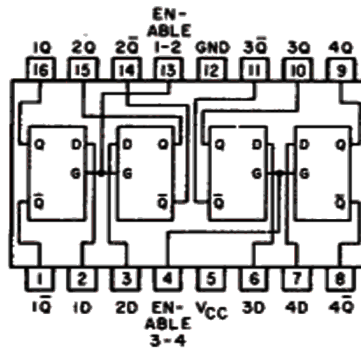
## SK7472

AND-Gate J-K Master-Slave Flip-Flops, Preset & Clear  
Outline No. IC-048



## SK7475 SK74LS75

4-Bit Bistable Latch  
Outline No. IC-049



## SK74LS78

Dual JK Flip-Flop  
Outline No. IC-141

