

## Product Brief

Zoran Corporation  
1390 Kifer Road  
Sunnyvale, CA 94086-5305

Tel 408.523.6500  
Fax 408.523.6501  
www.zoran.com



## Benefits Overview

Zoran's Frame-It-1 Video Deinterlacer is a silicon-efficient, high-performance Intellectual Property Core for video IC designs requiring progressive video output. Frame-It-1 is based on Zoran's extensive experience delivering high quality, high volume video ICs to major consumer products manufacturers worldwide. Frame-It-1 employs a robust motion detection and an intelligent interpolation algorithm in a easily implemented, fully synchronous design. 3:2 pull-down, 2:2 pull-down, and bad edit detection enable superior deinterlacing of source material originally from film.

Proven in silicon, the Frame-It-1 Video Deinterlacer greatly reduces the risk and time involved when integrating the video deinterlacing

function into an IC. Expensive, discrete components can be eliminated from system designs. Frame-It-1 is designed into Zoran's Vaddis™ family of DVD decoders, which are in mass production and are used in brand name consumer products worldwide.

## VIP-II Demonstration System

The VIP-II is an FPGA demonstration system for Zoran's IP Core products. The VIP-II accepts composite video, S-video and component video inputs and with its user friendly GUI, enables customers to thoroughly evaluate the performance of Zoran's IP Core products.

## Features

- "I to P" converter
- Converts interlaced video to progressive output video
- Robust motion detection based algorithm
- Weaves still areas of the image
- Advanced interpolation for moving areas of the image
- 3:2 and 2:2 pull-down detection for film modes
- Bad edit detection
- Silicon efficient design
- Requires only a single clock input from 20 to 30 MHz
- Fully synchronous design
- Process technology independent "softcore"

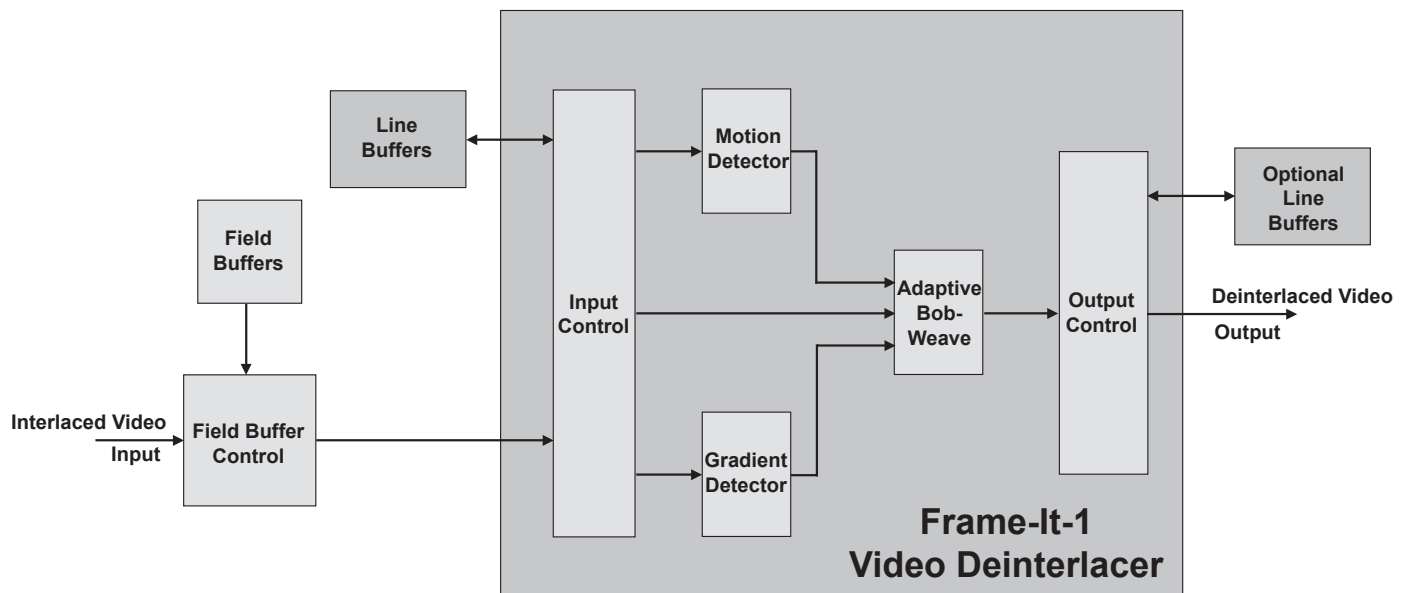
## Integrated Circuit Applications

- LCD controllers
- LCD-TV
- PDP-TV
- Projector TV Systems
- Progressive output CRT-TV
- Any IC requiring progressive video output

## Deliverables

- Compilable Verilog source code
- Bit-accurate, cycle-accurate C++ model
- Synopsis synthesis scripts
- Test input files
- Documentation
- VIP-II FPGA demonstration system available

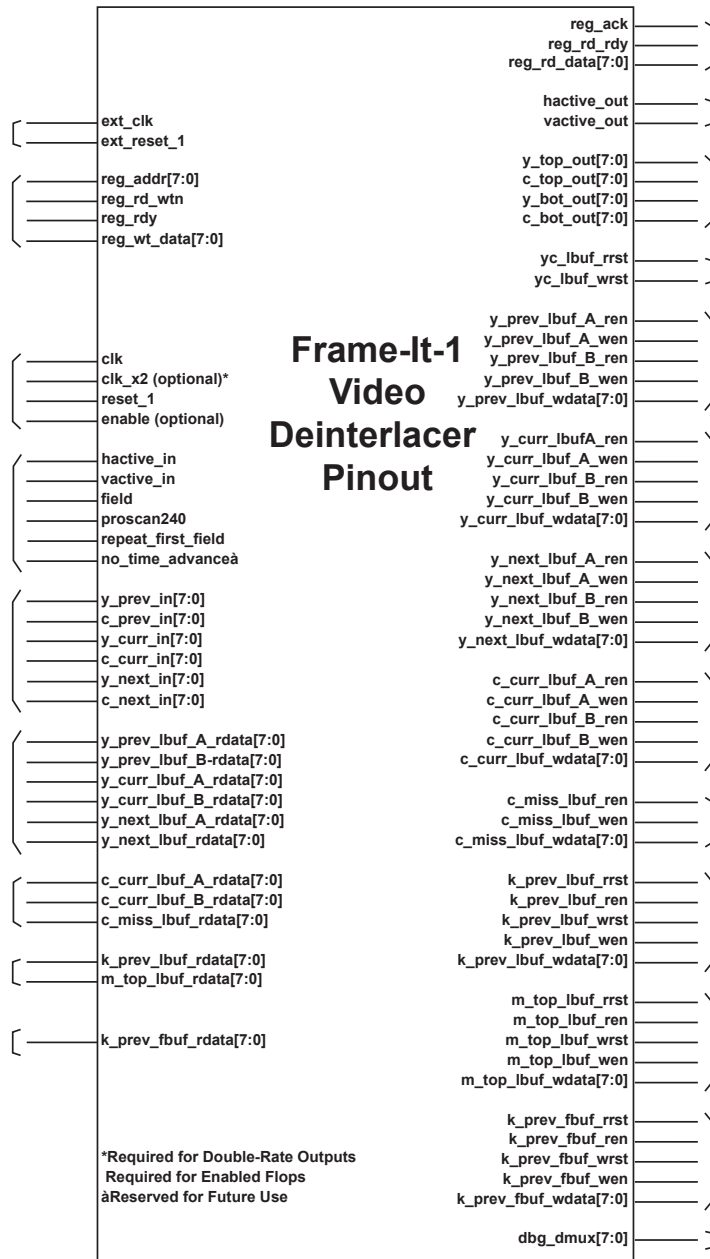
## Frame-It-1 Video Deinterlacer Block Diagram



Video Deinterlacer

Product Brief

Frame-It-1 Video Deinterlacer Logical Pinout



For more information, contact Zoran's Sunnyvale office or the office nearest you:

Canada	China	Hong Kong	Israel	Japan	Korea	Taiwan
Zoran Toronto Lab Tel: (416) 690-3356 Fax: (416) 690-3363	Zoran China Office Tel: 86-755-83993777 Fax: 86-755-83220889	Zoran Asia Pacific Ltd. Tel: +852-2-620-5838 Fax: +852-2-620-5238	Zoran Microelectronics Ltd. Tel: +972-4-8545-777 Fax: +972-4-8551-551	Zoran Japan Office Tel: +81-03-5475-1051 Fax: +81-03-5475-1053	Zoran Korea Office Tel: +82-2-761-7471 Fax: +82-2-761-7472	Zoran Taiwan Office Tel: +886-2-2659-9797 Fax: +886-2-2659-9595