



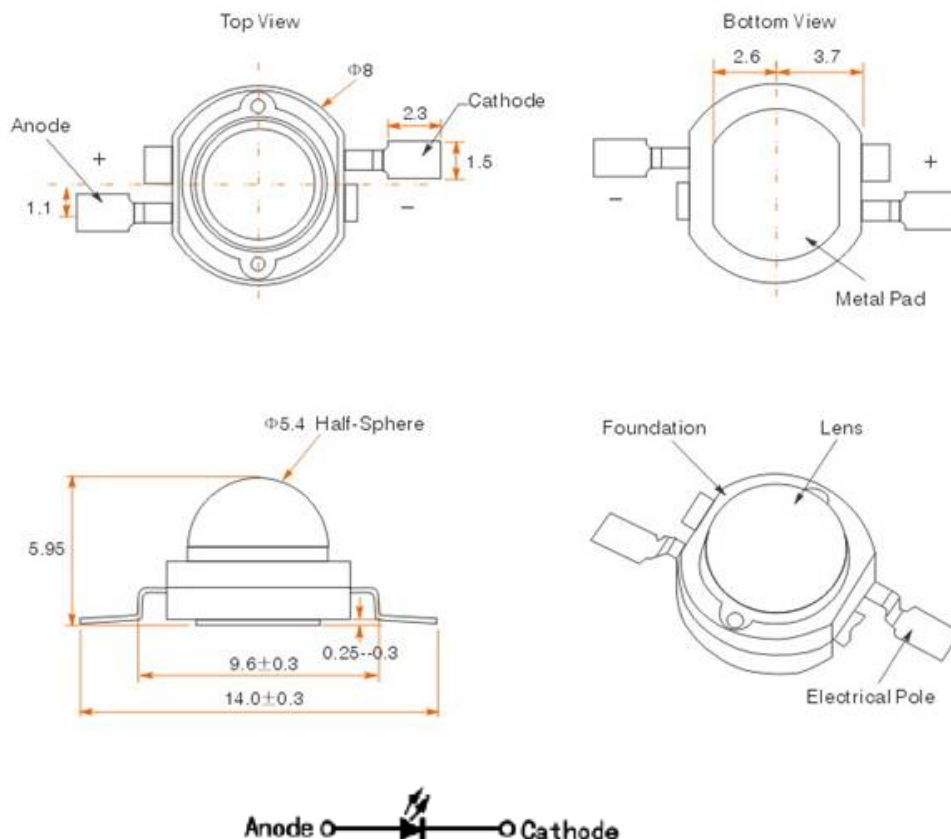
## Preliminary Information

### HEXAGONAL HIGH POWER LED APG2C1-Series



- Designed for continuous current of 350mA
- beam angle: +/-75°, lambertian silicone lens
- Silicone lens, ageing proof to UV radiation
- chip size 1 x 1mm
- 8 mm base diameter
- Instant light (less then 100ns)

#### Mechanical Dimensions:





**ROITHNER LASERTECHNIK GmbH**

WIEDNER HAUPTSTRASSE 76 1040 VIENNA AUSTRIA  
TEL. +43 1 586 52 43 -0, FAX. -44, OFFICE@ROITHNER-LASER.COM



**Soldering heat reliability □ DIP □ Please refer to the following figure**

