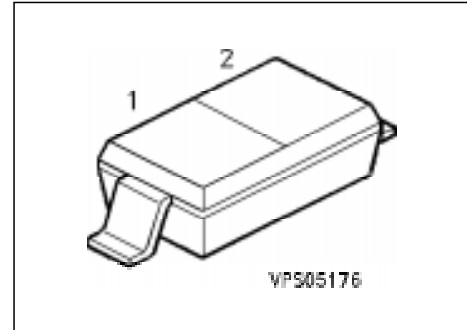


## Silicon Variable Capacitance Diode

**BB 620**

- For Hyperband TV/VTR tuners, Bd I



Type	Marking	Ordering Code (tape and reel)	Pin Configuration	Package <sup>1)</sup>
BB 620	red S	Q62702-B403		SOD-123

### Maximum Ratings

Parameter	Symbol	Values	Unit
Reverse voltage	$V_R$	30	V
Forward current	$I_F$	20	mA
Operating temperature range	$T_{op}$	- 55 ... + 125	°C
Storage temperature range	$T_{stg}$	- 55 ... + 150	

### Thermal Resistance

Junction - ambient	$R_{th JA}$	≤ 450	K/W
--------------------	-------------	-------	-----

<sup>1)</sup> For detailed information see chapter Package Outlines.

**Electrical Characteristics**

at  $T_A = 25\text{ }^\circ\text{C}$ , unless otherwise specified.

Parameter	Symbol	Values			Unit
		min.	typ.	max.	
Reverse current $V_R = 30\text{ V}$ $V_R = 30\text{ V}, T_A = 85\text{ }^\circ\text{C}$	$I_R$	– –	– –	10 200	nA
Diode capacitance $f = 1\text{ MHz}$ $V_R = 1\text{ V}$ $V_R = 28\text{ V}$	$C_T$	62 2.9	– –	76 3.4	pF
Capacitance ratio $V_R = 1\text{ V}, 28\text{ V}; f = 1\text{ MHz}$	$\frac{C_{T1}}{C_{T28}}$	19.5	–	25	–
Capacitance matching $V_R = 1\text{ V} \dots 28\text{ V}, f = 1\text{ MHz}$	$\frac{\Delta C_T}{\bar{C}}$	–	–	2.5	%
Series resistance $C_T = 30\text{ pF}; f = 100\text{ MHz}$	$r_s$	–	1.3	–	$\Omega$
Series inductance	$L_s$	–	2.8	–	nH

**Diode capacitance  $C_T = f(V_R)$**

$f = 1\text{ MHz}$

