

300 Watt Transient Voltage Suppressor

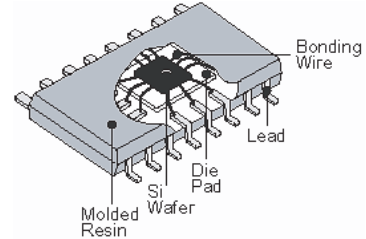
COMCHIP
SMD DIODE SPECIALIST



CT Series -G (RoHS Device)

Features

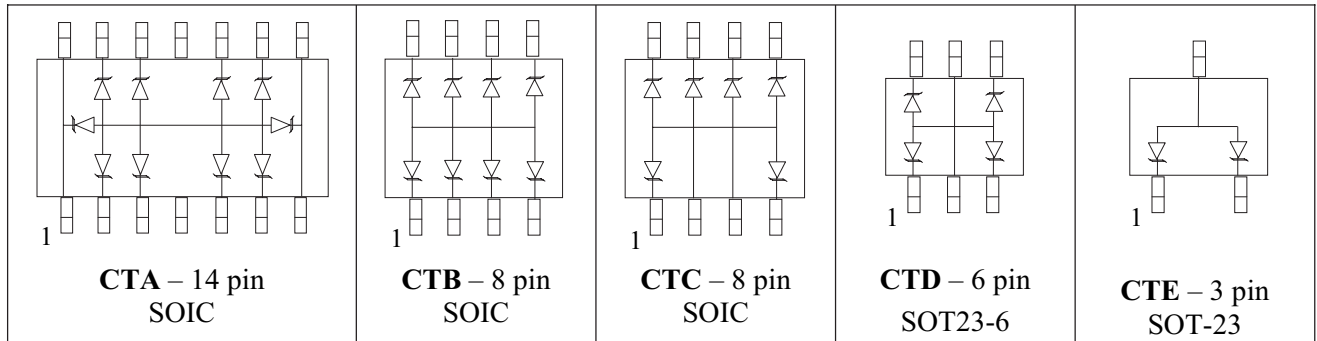
- (16kV) IEC 61000-4-2 rating
- 8/20 us transient rated
- Five working voltages (5, 12, 15, 24, 36)



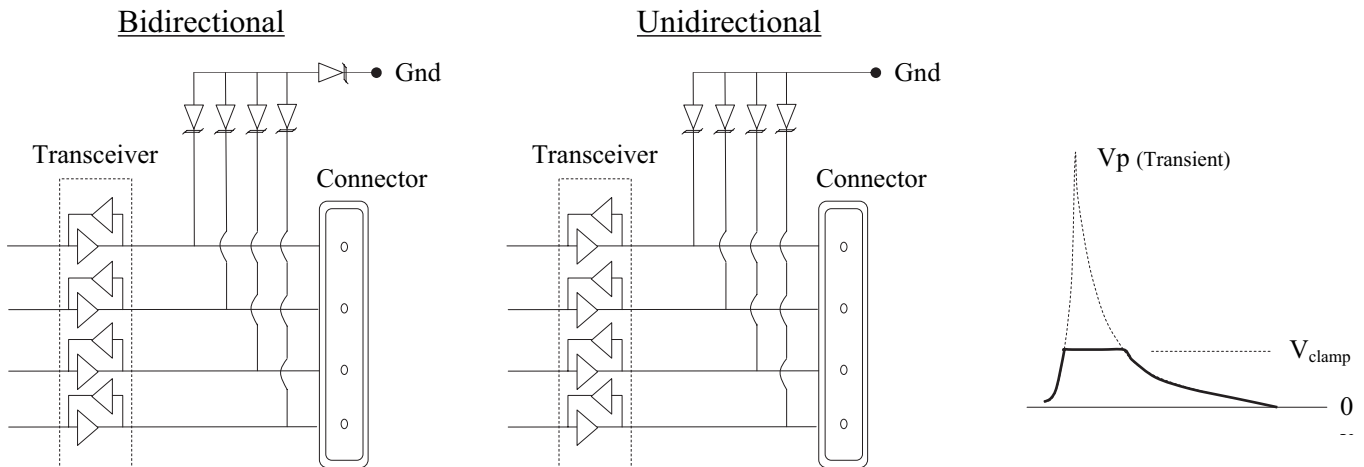
Applications

- Transient / ESD Suppression
- LAN/WAN
- Peripherals
- Set-Top Boxes

Circuit Schematic



Application Schematic



300 Watt Transient Voltage Suppressor



MAXIMUM RATINGS AND ELECTRICAL CHARACTERISTICS

Specifications: (Ta = 25°C)

Rating	Symbol	Value	Units
Peak Pulse Power (8/20 us)	P _{PK}	300	Watts
Operating Temp. Range	T _J	-55 to +125	°C
Soldering Temperature	T _L	260 (10 sec.)	°C

5V Volt Characteristics (5V0)

Symbol	Characteristic	Min	Typ	Max	Units	Test Condition
V _{BD}	Reverse breakdown voltage	6.0			V	I _F = 1 ma
I _L	Reverse leakage current			10	uA	@ V _{BD} = 5v
C _T	Capacitance			350	pF	@ 1Mhz
V _C	Channel clamp voltage			10	V	8 / 20us, 1 Amp
I _{PP}	Peak pulse current			17	Amps	8 / 20 us

12 Volt Characteristics (12V)

Symbol	Characteristic	Min	Typ	Max	Units	Test Condition
V _{BD}	Reverse breakdown voltage	13.3			V	I _F = 1 ma
I _L	Reverse leakage current			1	uA	@ V _{BD} = 12v
C _T	Capacitance			120	pF	@ 1Mhz
V _C	Channel clamp voltage			20	V	8 / 20us, 1 Amp
I _{PP}	Peak pulse current			12	Amps	8 / 20 us

15 Volt Characteristics (15V)

Symbol	Characteristic	Min	Typ	Max	Units	Test Condition
V _{BD}	Reverse breakdown voltage	16.7			V	I _F = 1 ma
I _L	Reverse leakage current			1	uA	@ V _{BD} = 15v
C _T	Capacitance			75	pF	@ 1Mhz
V _C	Channel clamp voltage			24	V	8 / 20us, 1 Amp
I _{PP}	Peak pulse current			10	Amps	8 / 20 us

24 Volt Characteristics (24V)

Symbol	Characteristic	Min	Typ	Max	Units	Test Condition
V _{BD}	Reverse breakdown voltage	26.7			V	I _F = 1 ma
I _L	Reverse leakage current			1	uA	@ V _{BD} = 24v
C _T	Capacitance			50	pF	@ 1Mhz
V _C	Channel clamp voltage			43	V	8 / 20us, 1 Amp
I _{PP}	Peak pulse current			5	Amps	8 / 20 us

36 Volt Characteristics (24V)

Symbol	Characteristic	Min	Typ	Max	Units	Test Condition
V _{BD}	Reverse breakdown voltage	37			V	I _F = 1 ma
I _L	Reverse leakage current			1	uA	@ V _{BD} = 36v
C _T	Capacitance			40	pF	@ 1Mhz
V _C	Channel clamp voltage			40	V	8 / 20us, 1 Amp
I _{PP}	Peak pulse current			3	Amps	8 / 20 us

Ordering Information:

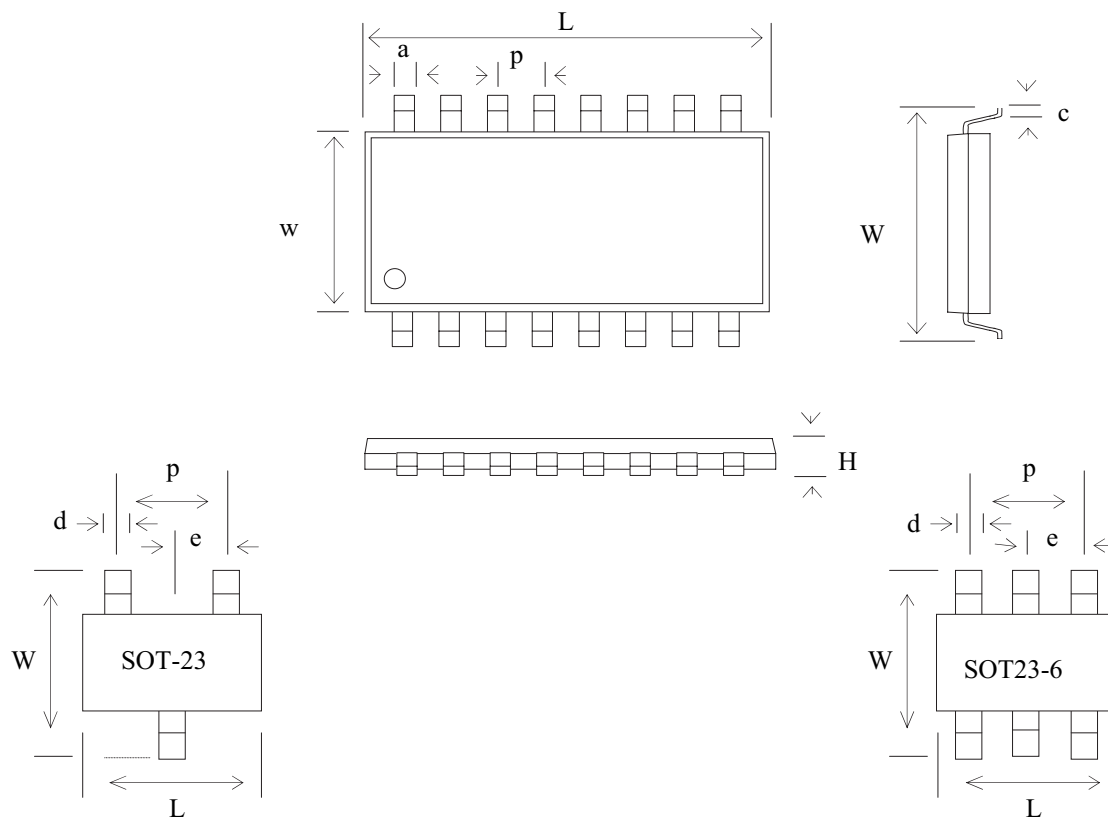
CTA	N14	24V	-G
-----	-----	-----	----

Type	Package Code	Voltage	RoHS compliant
CTA	From table below	5V0, 12V	
CTB		15V, 24V, 36V	
CTC			
CTD			
CTE			

300 Watt Transient Voltage Suppressor

Package Information:

Dimensions in (mm)



Package Code	Package Power	Number of Pins	$L \pm 0.2$	$W \pm 0.2$	$w \pm 0.2$	$p \pm 0.2$	$e \pm 0.1$	$A \pm 0.1$	$d \pm 0.1$	$H \pm 0.2$
N08	0.4 w	08	4.83	5.99	3.81	1.60	1.27	0.41	0.66	0.95
N14	0.6 w	14	8.66	5.99	3.81	1.60	1.27	0.41	0.66	0.95
S03	0.225 w	3	2.92	2.30	0.95	1.91	0.95	0.53	0.43	0.95
S06	0.225 w	6	2.92	2.80	1.20	1.91	0.95	0.53	0.43	0.95