

FEATURES:

- Switching capacity up to 20A
- Small size and light weight
- Dual relay available
- Low coil power consumption
- Suitable for automobile and consumer electronics applications



22.9 x 17.0 x 16.0mm

CONTACT DATA

Contact Arrangement	2A = (2) SPST N.O. 2C = (2) SPDT
Contact Rating	N.O. - 20A @ 14VDC 15A @ 24VDC; 125VAC N.C. - 15A @ 14VDC 10A @ 24VDC; 125VAC
Contact Resistance	< 50 milliohms initial
Contact Material	AgSnO ₂
Maximum Switching Power	280W
Maximum Switching Voltage	30VDC
Maximum Switching Current	20A

COIL DATA

Coil Voltage VDC		Coil Resistance $\Omega \pm 10\%$	Pick Up Voltage VDC (max) 75% of rated voltage	Release Voltage VDC (min) 10% of rated voltage	Coil Power W	Operate Time ms	Release Time ms
Rated	Max.						
5	6.5	56	3.75	0.50	.45	10	5
6	7.8	80	4.50	0.60			
9	11.7	180	6.75	0.90			
12	15.6	320	9.00	1.20			
18	23.4	720	13.50	1.80			
24	31.2	1280	18.00	2.40			

CAUTION:

1. The use of any coil voltage less than the rated coil voltage may compromise the operation of the relay.
2. Pickup and release voltages are for test purposes only and are not to be used as design criteria.

GENERAL DATA

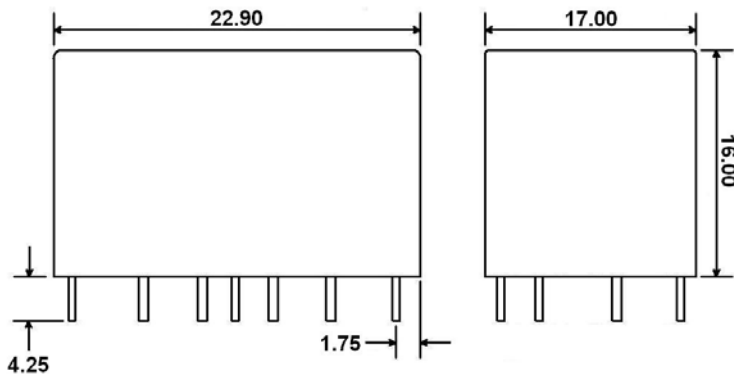
Electrical Life @ rated load	100K cycles, typical
Mechanical Life	10M cycles, typical
Insulation Resistance	100M Ω min @ 500VDC
Dielectric Strength, Coil to Contact	1000V rms min. @ sea level
Contact to Contact	500V rms min. @ sea level
Shock Resistance	100m/s ² for 11ms
Vibration Resistance	1.50mm double amplitude 10-40Hz
Terminal (Copper Alloy) Strength	5N
Operating Temperature	-40 °C to + 85 °C
Storage Temperature	-40 °C to + 155 °C
Solderability	230 °C \pm 2 °C for 10 \pm 0.5s
Weight	15g

Distributor: [Electro-Stock](http://www.electrostock.com) www.electrostock.com Tel: 630-682-1542 Fax: 630-682-1562

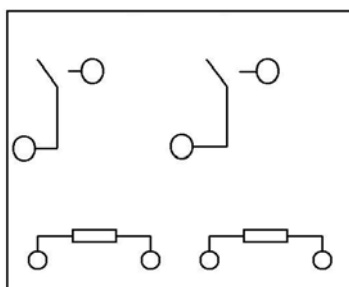
ORDERING INFORMATION

1. Series:	CTA12	2C	S	12VDC	.45
2. Contact Arrangement:					
2A = (2) SPST N.O.					
2C = (2) SPDT					
3. Sealing Options:					
S = Sealed					
C = Dust Cover					
4. Coil Voltage:					
5VDC					
6VDC					
9VDC					
12VDC					
18VDC					
24VDC					
5. Coil Power:					
.45 = 0.45W					

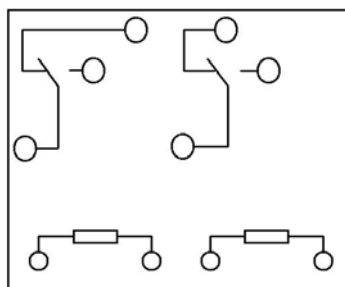
DIMENSIONS (Units = mm)



SCHEMATICS & PC LAYOUTS (BOTTOM VIEWS)



2A



2C

