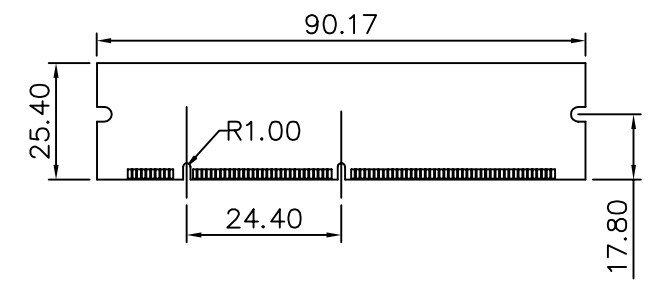
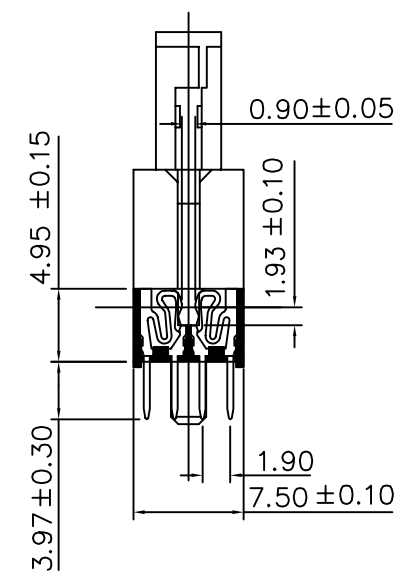
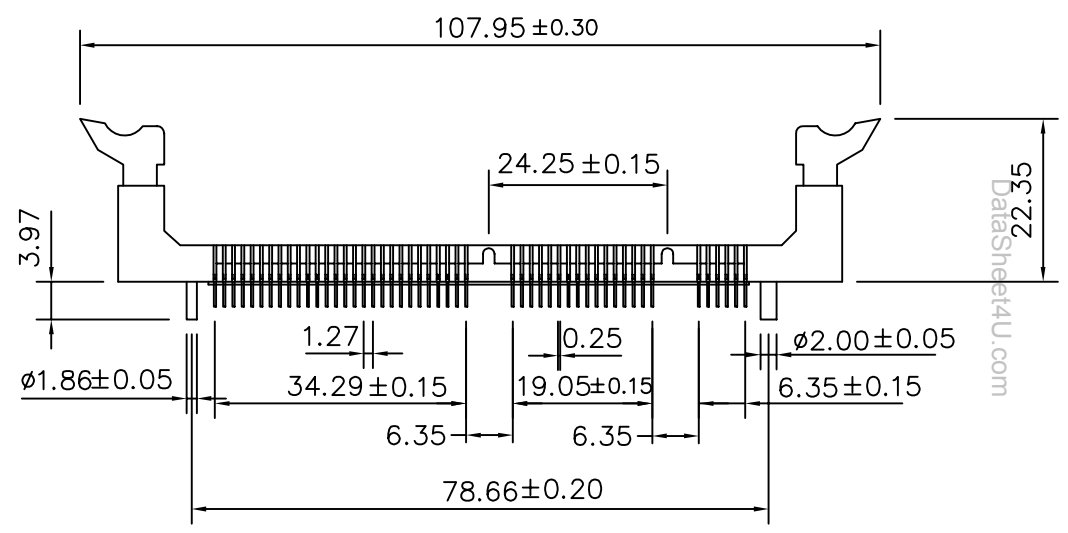


P.C.B. Layout

**SPECIFICATIONS**

- Contact Current Rating: 1 AMP
- Contact Resistance: 30 Milliohms Max.
- Insulation Resistance: 1000Megohms At 500V DC
- Dielectric Withstanding Voltage: 1000V AC
- Capacitance: 1pf Max.
- Durabion: 25 Circles, Min.
- Contact Engaging Force: 110g Max. Per Contact, Initial
- Contact Separating Force : 40g Min. Per Contact, Initial
- Operating And Storage Temperature: -55°C To +105°C
- Body : L.C.P. UL 94V-0
- Contact: Copper Alloy  
Gold Over Nickel Or Tin Plated
- Latch : Nylon 66 UL 94V-0



Non-Standard DRAM, 3.3 Volt



DRAWING No.		APPROVED BY		UNLESS OTHERWISE SPECIFIED					
DIM100		MEI		TOLERANCES ARE					
		CHECKED BY		.X ±0.38					
		RAN		.XX ±0.25					
		DRAWING BY		AWG.					
		HZF		UNIT					
SCALE	NONE	REV.	A	mm		AREA	REVISIONS	CHK	DATE