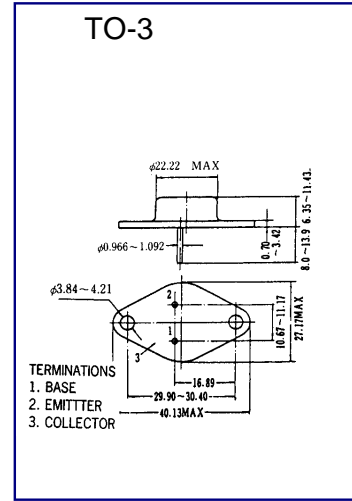




**BU326A**

**NPN SILICON TRANSISTOR**

**SWITCHING REGULATORS PWM INVERTERS  
SOLENOID AND RELAY DRIVERS**



**ABSOLUTE MAXIMUM RATINGS (Ta=25 °C)**

Characteristic	Symbol	Rating	Unit
Collector-Base Voltage	VCBO	900	V
Collector-Emitter Voltage	VCEO	400	V
Collector Current (DC)	IC	6	A
Collector Dissipation (Tc=25°C)	PC	60	W
Junction Temperature	Tj	150	°C
Storage Temperature	Tstg	-50~150	°C

**ELECTRICAL CHARACTERISTICS (Ta=25°C)**

Characteristic	Symbol	Test Condition	Min	Typ	Max	Unit
Collector Cutoff Current	ICBO	VCB= 800V , IE=0			10	μA
Collector Cutoff Current	ICEO	VCB=400V , IB=0			10	μA
DC Current Gain	hFE	VCE=5V , IC=0.6A	30			
Collector- Emitter Saturation Voltage	VCE(sat)	IC=3A , IB=0.2A			2.5	V

Wing Shing Computer Components Co., (H.K.)Ltd.  
Homepage: <http://www.wingshing.com>

Tel:(852)2341 9276 Fax:(852)2797 8153  
E-mail: wsccltd@hkstar.com