

High dielectric strength
High peak-current capability
For damping and commutating in
the medium frequency range
Also for general AC applications

Construction

- Self-healing
- Plastic dielectric
- Oil-impregnated tubular windings (no PCB)
- Metal-sprayed end faces ensure reliable contacting
- Cylindrical aluminum case
- Plastic or ceramic lead-throughs
- Mounting bolts M8 or M12

Terminals

- Screw terminals M10
- Tab connectors 6,3 mm
- Dual tab connectors 6,3 mm and 9,5 mm

Mounting parts

- If the vibration stress is $\leq 5 g$ and the capacitors are ≤ 60 mm in diameter and ≤ 160 mm in height, the bolt is used for mounting.
- In case of a vibration stress $> 5 g$ as well as for larger-sized capacitors mounting details are given in chapter "Mounting parts".

Grounding

- Mounting bolts for grounding in accordance with VDE 0100
- Grounding identification in accordance with DIN 40 011

Overpressure disconnecter (mechanical)

When the overpressure disconnecter responds, the capacitor extends by up to 8 mm.

So leave sufficient space above the terminals when mounting the capacitor.

Individual data sheets

Individual capacitors of this series are specified in detail (incl. thermal data) [on pages 138 ... 167](#).

Upon request, these data sheets are available for each capacitor type.



Technical data

Standards		IEC 1071-1/2 EN 61071-1/2 VDE 0560 part 120 and 121		
Dielectric dissipation factor	$\tan \delta_0$	$2 \cdot 10^{-4}$		
Max. repetitive rate of voltage rise	$(du/dt)_{\max}$	$\frac{\hat{i}}{C}$		
Max. non-repetitive rate of voltage rise	$(du/dt)_s$	$\frac{I_s}{C}$		
Climatic data:				
Min. operating temperature	Θ_{\min}	- 25 °C		
Max. operating temperature	Θ_{\max}	+ 85 °C		
Average relative humidity		≤ 95 % (screw terminals/dual tab 9,5 mm) ≤ 75 % (dual tab 6,3 mm/tab 6,3 mm)		
Failure quota	$\alpha_{FQ(\text{co})}$	300 failures per 10 ⁹ component hours		
Load duration	$t_{LD(\text{co})}$	100 000 h		
Storage temperature limit	Θ_{stg}	- 55/+ 85 °C		
IEC climatic category (IEC 68-1 and 2)		25/085/56		
Test A, cold		- 25 °C		
Test B, dry heat		+ 85 °C		
Test Ca, damp heat, steady state		56 days/40 °C/93 % rel. humidity		
Values after test Ca:				
Capacitance change	$\Delta C/C$	≤ 1 %		
		C_N	Screw terminals, dual tab 9,5 mm	Dual tab 6,3 mm Tab 6,3 mm
Insulation resistance	R_{is}	≤ 1 μF	≥ 10 000 MΩ	≥ 3000 MΩ ≥ 1000 MΩ
Self-discharge time constant $\tau =$	$R_{is} \cdot C$	> 1 μF	≥ 10 000 s	≥ 3000 s ≥ 1000 s
Dissipation factor change	$\Delta \tan \delta$	≤ 1 · 10 ⁻⁴		≤ 3 · 10 ⁻⁴ ≤ 3 · 10 ⁻⁴
Test data:				
AC test voltage				
between terminals	U_{TT}	1,25 · U_N , 50 Hz, 10 s (or DC 1,75 · U_N , 10 s)		
between terminals and case	U_{TC}	2 · U_i + 1000 V, 50 Hz, 10 s		
		C_N	Screw terminals, dual tab 9,5 mm	Dual tab 6,3 mm, tab 6,3 mm
Insulation resistance	R_{is}	≤ 1 μF	≥ 10 000 MΩ	≥ 3000 MΩ
Self-discharge time constant $\tau =$	$R_{is} \cdot C$	> 1 μF	≥ 10 000 s	≥ 3000 s
Dissipation factor (50 Hz)	$\tan \delta$	≤ 3 · 10 ⁻⁴		

B 25 834

Damping, Commutating

Available ratings

U_N (V) AC	500	600	750	900	1100	1400	1700	2100
C_R (μ F)								
0,10								
0,15								
0,22								
0,33								
0,47								
0,68								
1,0								
1,5								
2,2								
3,3								
4,7								
6,8								
10								
15								
22								
33								
47								
68								
100								
150								
220								

 Data book range

 Upon request

Characteristics and ordering codes

$C_N^{1)}$	I_{max}	\hat{i}	I_s	R_S 20 °C	L_{self}	Dimensions $d \times l$	Fig.	Appr. weight	Ordering code	Pg.
μF	A	A	A	m Ω	nH	mm		g		
$U_N = AC 500 V$			$U_i = AC 450 V$			$\hat{u} = 630 V$		$U_{TT} = AC 620 V, 10 s$		
						$u_s = 860 V$		$U_{TC} = AC 2000 V, 10 s$		
33	18	1300	3300	4,9	90	60 × 86	3	290	B25834-L3336-K009	138
47	80	1900	4700	1,9	110	79,2 × 104	2	610	B25834-D3476-K004	
68	80	2700	6800	1,5	110	99,3 × 104	2	970	B25834-D3686-K004	
100	80	4000	10000	1,4	180	79,2 × 248	2	1500	B25834-D3107-K004	
220	80	8800	22000	1,2	180	99,3 × 248	2	2300	B25834-D3227-K004	
$U_N = AC 600 V$			$U_i = AC 530 V$			$\hat{u} = 750 V$		$U_{TT} = AC 750 V, 10 s$		
						$u_s = 1000 V$		$U_{TC} = AC 2100 V, 10 s$		
0,68	10	110	270	25,0	50	25 × 48	5	30	B25834-F4684-M001	140
1,0	10	160	400	18,0	50	25 × 48	5	30	B25834-F4105-K001	
1,5	16	240	600	14,0	50	30 × 48	6	50	B25834-F4155-K001	
2,2	16	350	880	10,0	50	30 × 48	6	50	B25834-F4225-K001	
3,3	16	530	1300	8,7	50	35 × 48	7	60	B25834-F4335-K001	
4,7	16	190	470	16,0	90	30 × 80	6	70	B25834-F4475-K001	
6,8	16	270	680	13,0	90	35 × 80	7	100	B25834-F4685-K001	142
10	18	400	1000	8,0	90	40 × 86	3	130	B25834-L4106-K009	
15	18	600	1500	6,5	90	50 × 86	3	200	B25834-L4156-K009	
22	60	880	2200	3,1	110	64,2 × 104	2	400	B25834-D4226-K004	
33	80	1300	3300	2,4	110	79,2 × 104	2	610	B25834-D4336-K004	
33	64	1300	3300	2,4	110	79,2 × 104	4	610	B25834-D4336-K009	
47	80	1900	4700	2,0	110	89,3 × 104	2	780	B25834-D4476-K004	144
47	64	1900	4700	2,0	110	89,3 × 104	4	780	B25834-D4476-K009	
68	80	2700	6800	1,7	180	64,2 × 248	2	960	B25834-D4686-K004	
100	80	4000	10000	1,5	180	79,2 × 248	2	1500	B25834-D4107-K004	
150	80	6000	15000	1,3	180	89,3 × 248	2	1900	B25834-D4157-K004	

1) Capacitance tolerances: For $C_N < 1,0 \mu F \pm 20 \%$, for $C_N \geq 1,0 \mu F \pm 10 \%$

B 25 834 Damping, Commutating

Characteristics and ordering codes

$C_N^{(1)}$	I_{max}	\hat{i}	I_s	R_S 20 °C	L_{self}	Dimensions $d \times l$	Fig.	Appr. weight	Ordering code	Pg.
μF	A	A	A	m Ω	nH	mm		g		
$U_N = AC 750 V$			$U_l = AC 670 V$			$\hat{u} = 940 V$		$U_{TT} = AC 930 V, 10 s$		
						$u_s = 1300 V$		$U_{TC} = AC 2400 V, 10 s$		
4,7	16	240	590	13,0	90	35,0 × 80	7	100	B25834-F5475-K001	146
6,8	18	340	850	8,4	90	40,0 × 86	3	130	B25834-L5686-K009	148
10	18	500	1250	7,0	90	50,0 × 86	3	200	B25834-L5106-K009	
15	18	750	1900	5,9	90	60,0 × 86	3	290	B25834-L5156-K009	148
22	80	1100	2800	2,6	110	79,2 × 104	2	610	B25834-D5226-K004	
22	64	1100	2800	2,5	110	79,2 × 104	4	610	B25834-D5226-K009	150
33	80	1700	4100	2,0	110	89,3 × 104	2	780	B25834-D5336-K004	
33	64	1700	4100	1,9	110	89,3 × 104	4	780	B25834-D5336-K009	150
47	80	2400	5900	1,7	180	64,2 × 248	2	960	B25834-D5476-K004	
68	80	3400	8500	1,6	180	79,2 × 248	2	1500	B25834-D5686-K004	150
100	80	5000	12500	1,4	180	89,3 × 248	2	1900	B25834-D5107-K004	
$U_N = AC 900 V$			$U_l = AC 780 V$			$\hat{u} = 1100 V$		$U_{TT} = AC 1150 V, 10 s$		
						$u_s = 1500 V$		$U_{TC} = AC 2600 V, 10 s$		
0,10	10	50	120	33,0	50	25,0 × 48	5	30	B25834-F6104-M001	152
0,15	10	70	180	24,0	50	25,0 × 48	5	30	B25834-F6154-M001	154
0,22	10	100	260	17,0	50	25,0 × 48	5	30	B25834-F6224-M001	
0,33	10	90	220	29,0	50	25,0 × 48	5	30	B25834-F6334-M001	154
0,47	10	130	320	21,0	50	25,0 × 48	5	30	B25834-F6474-M001	
0,68	10	180	460	16,0	50	25,0 × 48	5	30	B25834-F6684-M001	156
1,0	16	300	750	12,0	50	30,0 × 48	6	50	B25834-F6105-K001	
1,5	16	450	1100	9,8	50	35,0 × 48	7	60	B25834-F6155-K001	156
2,2	16	150	390	18,0	90	30,0 × 80	6	70	B25834-F6225-K001	
3,3	16	230	580	14,0	90	35,0 × 80	7	100	B25834-F6335-K001	156
4,7	18	330	820	9,0	90	40,0 × 86	3	130	B25834-L6475-K009	
6,8	18	480	1200	7,3	90	50,0 × 86	3	200	B25834-L6685-K009	158
10	18	700	1750	6,1	90	60,0 × 86	3	290	B25834-L6106-K009	
15	60	1100	2600	2,8	100	79,2 × 104	2	610	B25834-D6156-K004	158
15	60	1100	2600	2,7	100	79,2 × 104	4	610	B25834-D6156-K009	
22	80	1500	3900	2,2	110	89,3 × 104	2	780	B25834-D6226-K004	158
22	64	1500	3900	2,1	110	89,3 × 104	4	780	B25834-D6226-K009	
33	80	2300	5800	1,8	180	64,2 × 248	2	960	B25834-D6336-K004	158
47	80	3300	8200	1,6	180	79,2 × 248	2	1500	B25834-D6476-K004	
68	80	4800	12000	1,4	180	89,3 × 248	2	1900	B25834-D6686-K004	

1) Capacitance tolerances: For $C_N < 1,0 \mu F \pm 20 \%$, for $C_N \geq 1,0 \mu F \pm 10 \%$

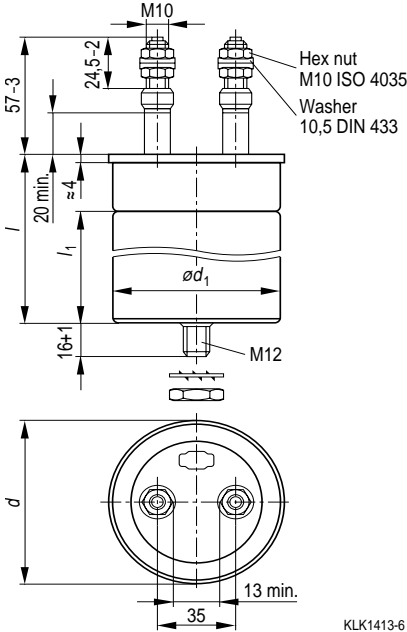
Characteristics and ordering codes

$C_N^{1)}$	I_{max}	\hat{i}	I_s	R_S 20 °C	L_{self}	Dimensions $d \times l$	Fig.	Appr. weight	Ordering code	Pg.
μF	A	A	A	m Ω	nH	mm		g		
$U_N = AC 1100 V$										
$U_i = AC 990 V$						$\hat{u} = 1400 V$		$U_{TT} = AC 1400 V, 10 s$		
						$u_s = 1900 V$		$U_{TC} = AC 3000 V, 10 s$		
4,7	18	380	940	17,0	140	40,0 × 156	3	240	B25834-L7475-K009	
6,8	18	540	1400	13,0	140	50,0 × 156	3	370	B25834-L7685-K009	
10	60	800	2000	6,3	150	64,2 × 176	1	680	B25834-D7106-K004	
15	80	1200	3000	4,9	150	79,2 × 176	1	1000	B25834-D7156-K004	
22	80	1800	4400	3,7	150	89,3 × 176	1	1300	B25834-D7226-K004	
33	80	2600	6600	2,8	150	99,3 × 176	1	1600	B25834-D7336-K004	160
$U_N = AC 1400 V$										
$U_i = AC 1300 V$						$\hat{u} = 1800 V$		$U_{TT} = AC 1800 V, 10 s$		
						$u_s = 2400 V$		$U_{TC} = AC 3600 V, 10 s$		
4,7	60	470	1200	9,3	150	64,2 × 176	1	680	B25834-D0475-K004	
6,8	60	680	1700	6,6	150	64,2 × 176	1	680	B25834-D0685-K004	
10	80	1000	2500	5,2	150	79,2 × 176	1	1000	B25834-D0106-K004	162
15	80	1500	3800	3,8	150	89,3 × 176	1	1300	B25834-D0156-K004	
22	80	2200	5500	2,9	150	99,3 × 176	1	1600	B25834-D0226-K004	
$U_N = AC 1700 V$										
$U_i = AC 1500 V$						$\hat{u} = 2100 V$		$U_{TT} = AC 2100 V, 10 s$		
						$u_s = 2900 V$		$U_{TC} = AC 4000 V, 10 s$		
4,7	60	560	1400	13,0	220	64,2 × 248	1	960	B25834-D1475-K004	
6,8	60	820	2000	9,0	220	64,2 × 248	1	960	B25834-D1685-K004	
10	80	1200	3000	7,0	220	79,2 × 248	1	1500	B25834-D1106-K004	
15	80	1800	4500	5,3	220	89,3 × 248	1	1900	B25834-D1156-K004	
22	80	2600	6600	3,9	220	99,3 × 248	1	2300	B25834-D1226-K004	164
$U_N = AC 2100 V$										
$U_i = AC 1900 V$						$\hat{u} = 2600 V$		$U_{TT} = AC 2600 V, 10 s$		
						$u_s = 3600 V$		$U_{TC} = AC 4800 V, 10 s$		
3,3	60	530	1300	13,0	220	64,2 × 248	1	960	B25834-D2335-K004	
4,7	60	750	1900	9,4	220	64,2 × 248	1	960	B25834-D2475-K004	
6,8	80	1100	2700	7,4	220	79,2 × 248	1	1500	B25834-D2685-K004	
10	80	1600	4000	5,4	220	89,3 × 248	1	1900	B25834-D2106-K004	166
15	80	2400	6000	4,1	220	99,3 × 248	1	2300	B25834-D2156-K004	

1) Capacitance tolerance $\pm 10 \%$

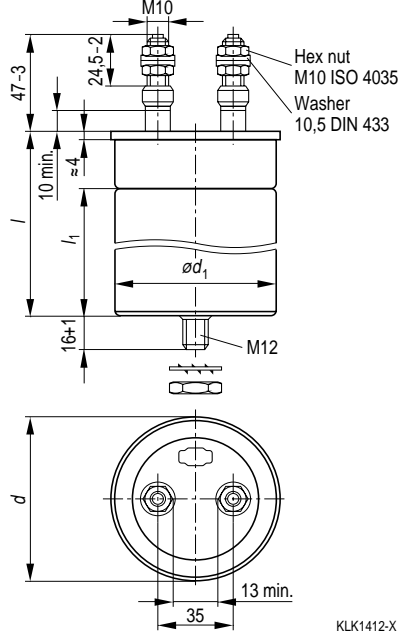
B 25 834
Damping, Commutating

Dimensional drawing 1
 Screw terminals M10



KLK1413-6

Dimensional drawing 2
 Screw terminals M10



KLK1412-X

Dimensions in mm

$d-1,2$	$l-4$	$\varnothing d_1-0,4$	l_{1min}	Creepage distance	Clearance		
64,2	176	60,2	135	20	13		
64,2	248	60,2	204				
79,2	176	75,2	135				
79,2	248	75,2	204				
89,3	176	85,2	135				
89,3	248	85,2	204				
99,3	176	95,2	135				
99,3	248	95,2	204				
Max. torque terminals*)						7 Nm	

Dimensions in mm

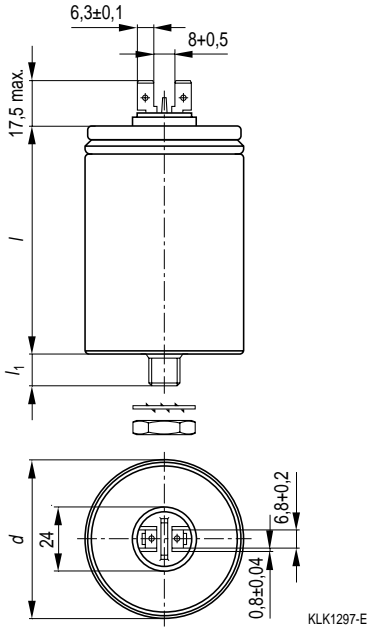
$d-1,2$	$l-4$	$\varnothing d_1-0,4$	l_{1min}	Creepage distance	Clearance		
64,2	104	60,2	135	10	10		
64,2	248	60,2	204				
79,2	104	75,2	75				
79,2	248	75,2	204				
89,3	104	85,2	75				
89,3	248	85,2	204				
99,3	104	95,2	75				
99,3	248	95,2	204				
Max. torque terminals*)						7 Nm	

*) The terminal torque must not act upon the ceramic. So the lead should be locked between two nuts.

Mounting parts (included in delivery)

Threaded bolt	Max. torque	Toothed washer	Hex nut
M12	10 Nm	J 12,5 DIN 6797	M12 ISO 4035

Dimensional drawing 3
 Dual tab connectors 6,3 mm

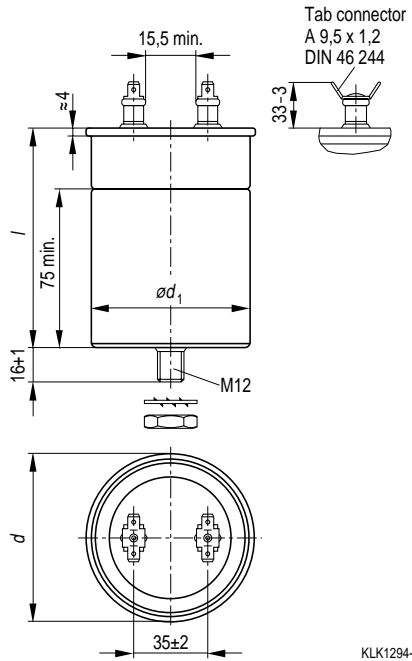


Dimensions in mm

$d_{-0,2}^{+0,5}$	l_{-2}^{+1}	l_1+1^*	Creepage distance	Clearance
40	86	8	10	6
40	156	8		
50	86	12		
50	156	12		
60	86	12		

*) 8 mm = threaded bolt M8
 12 mm = threaded bolt M12

Dimensional drawing 4
 Dual tab connectors 9,5 mm



Dimensions in mm

$d-1,2$	$l-4$	$\varnothing d_1-0,4$	Creepage distance	Clearance
79,2	104	75,2	10	10
89,3	104	85,2		

Mounting parts (included in delivery)

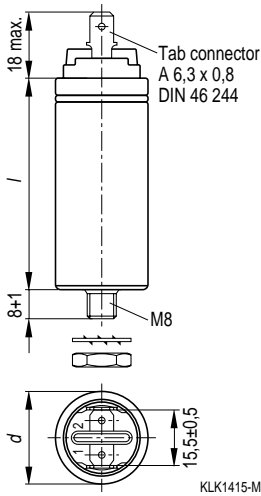
Threaded bolt	Max. torque	Toothed washer	Hex nut
M8	4 Nm	J 8,2 DIN 6797	M 8 ISO 4035
M12	10 Nm	J 12,5 DIN 6797	M12 ISO 4035

B 25 834

Damping, Commutating

Dimensional drawing 5

Tab connectors 6,3 mm

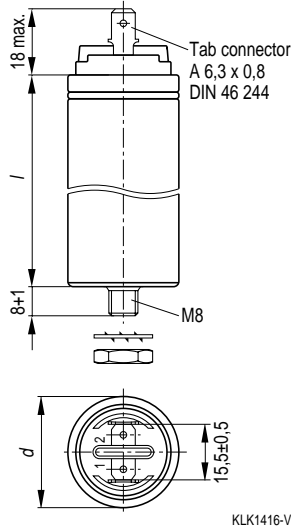


Dimensions in mm

$d^{+0,5}_{-0,2}$	$l \pm 2$	Creepage distance	Clearance
25	48	9	7

Dimensional drawing 6

Tab connectors 6,3 mm



Dimensions in mm

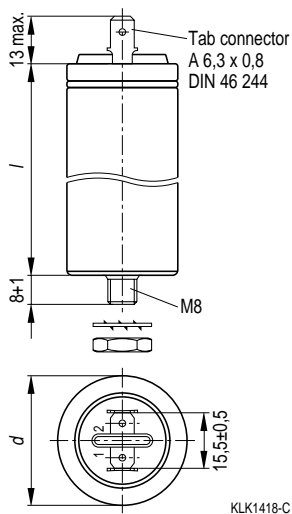
$d^{+0,5}_{-0,2}$	$l \pm 2$	Creepage distance	Clearance
30	48	9	7
30	80		

Mounting parts (included in delivery)

Threaded bolt	Max. torque	Toothed washer	Hex nut
M8	4 Nm	J 8,2 DIN 6797	M 8 ISO 4035

Dimensional drawing 7

Tab connectors 6,3 mm



Dimensions in mm

$d^{+0,5}_{-0,2}$	$l \pm 2$	Creepage distance	Clearance
35	48	6	6
35	80		

Mounting parts (included in delivery)

Threaded bolt	Max. torque	Toothed washer	Hex nut
M8	4 Nm	J 8,2 DIN 6797	M 8 ISO 4035

B 25 834

Damping, Commutating

33 μ F / 500 Vac

Ordering code: B25834-L3336-K009

Characteristics

C_N , tol.	33 μ F \pm 10 %
U_N	AC 500 V
U_i	AC 450 V
I_{max}	18 A
L_{self}	90 nH
$\tan \delta_0$	$2 \cdot 10^{-4}$
R_S	4,9 m Ω

Maximum ratings

\hat{u}	630 V
u_s	860 V
\hat{i}	1,3 kA
I_s	3,3 kA
$(du/dt)_{max}$	40 V/ μ s
$(du/dt)_s$	100 V/ μ s

Test data

U_{TT}	AC 620 V, 10 s
U_{TC}	AC 2000 V, 10 s
$R_{is} \cdot C$	≥ 3000 s
$\tan \delta$ (50 Hz)	$\leq 3 \cdot 10^{-4}$

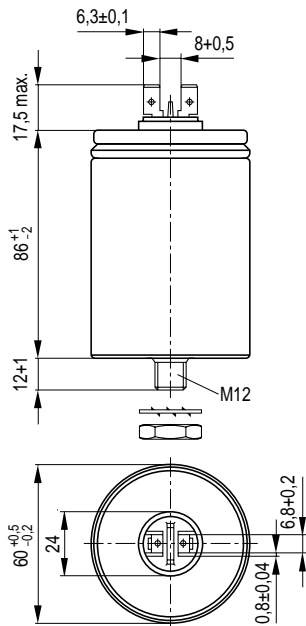
Climatic data

Θ_{min}	- 25 $^{\circ}$ C
Θ_{max}	+ 85 $^{\circ}$ C
Humidity	Average relative humidity \leq 75 %
$\alpha FQ_{(co)}$	300/10 ⁹ h
$t_{LD(co)}$	100000 h
Θ_{stg}	- 55 to + 85 $^{\circ}$ C

IEC climatic category: 25/085/56

(IEC 68-1 and 2)

Θ_{test}	+ 40 $^{\circ}$ C
Rel. humidity	93 %
t_{test}	56 days
$\Delta C/C$	≤ 1 %
$\Delta \tan \delta$	$\leq 3 \cdot 10^{-4}$
$R_{is} \cdot C$	≥ 3000 s



Design data

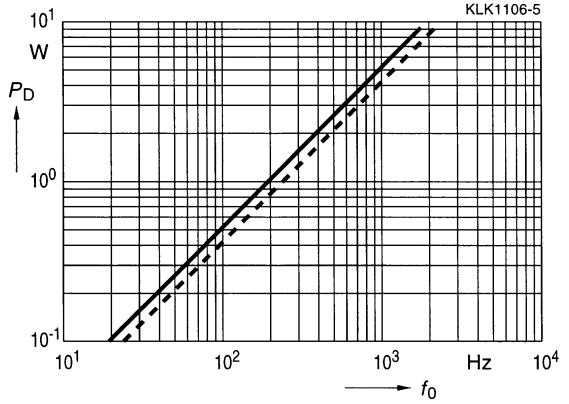
Dimensions $\varnothing \times l$	60 mm \times 86 mm
Approx. weight	290 g
Impregnation	Oil
Fixing	Threaded bolt M12
Mounting hole	14 mm
Max. torque	10 Nm
Terminals	Dual tab connector 6,3 mm
Terminal cross section	1,5 mm ²
Creepage distance	10 mm
Clearance	6 mm
Overpressure disconnector	

Thermal data

B25834-L3336-K009

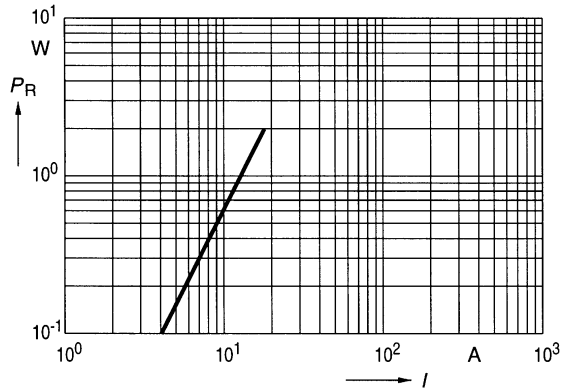
Dielectric power dissipation P_D
 versus repetition frequency f_0

$\hat{u}_{ac} = 500 \text{ V}$ —————
 $\hat{u}_{ac} = 450 \text{ V}$ - - - - -



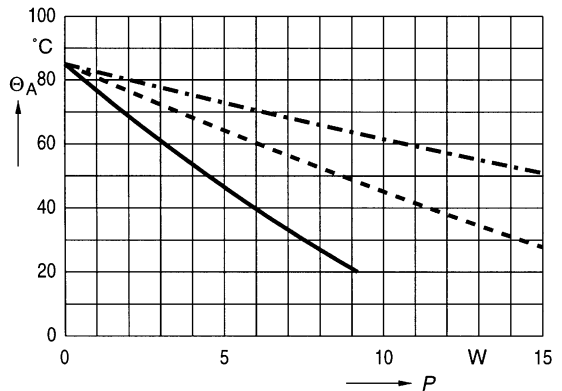
Ohmic power dissipation P_R
 versus rms current value I

$R_S (85^\circ\text{C}) = 6,1 \text{ m}\Omega$



Permissible ambient temperature Θ_A
 versus total power dissipation P
 (Upright mounting position)

Natural cooling —————
 Forced cooling 2 m/s - - - - -
 Permissible capacitor
 temperature - - - - -



B 25 834

Damping, Commutating

3,3 μF / 600 Vac

Ordering code: B25834-F4335-K001

Characteristics

C_N , tol.	3,3 μF \pm 10 %
U_N	AC 600 V
U_i	AC 530 V
I_{max}	16 A
L_{self}	50 nH
$\tan \delta_0$	$2 \cdot 10^{-4}$
R_S	8,7 m Ω

Maximum ratings

\hat{u}	750 V
u_s	1000 V
\hat{i}	530 A
I_s	1300 A
$(du/dt)_{\text{max}}$	160 V/ μs
$(du/dt)_s$	400 V/ μs

Test data

U_{TT}	AC 750 V, 10 s
U_{TC}	AC 2100 V, 10 s
$R_{is} \cdot C$	≥ 3000 s
$\tan \delta$ (50 Hz)	$\leq 3 \cdot 10^{-4}$

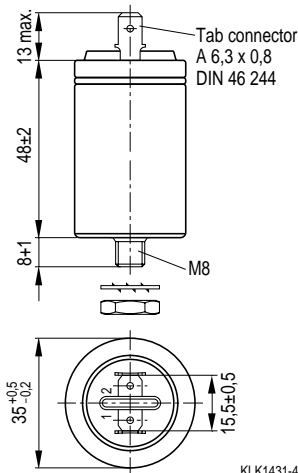
Climatic data

Θ_{min}	- 25 $^{\circ}\text{C}$
Θ_{max}	+ 85 $^{\circ}\text{C}$
Humidity	Average relative humidity ≤ 75 %
$\alpha_{\text{FQ}}(\text{co})$	300/10 ⁹ h
$t_{\text{LD}}(\text{co})$	100000 h
Θ_{stg}	- 55 to + 85 $^{\circ}\text{C}$

IEC climatic category: 25/085/56

(IEC 68-1 and 2)

Θ_{test}	+ 40 $^{\circ}\text{C}$
Rel. humidity	93 %
t_{test}	56 days
$\Delta C/C$	≤ 1 %
$\Delta \tan \delta$	$\leq 3 \cdot 10^{-4}$
$R_{is} \cdot C$	≥ 1000 s



Design data

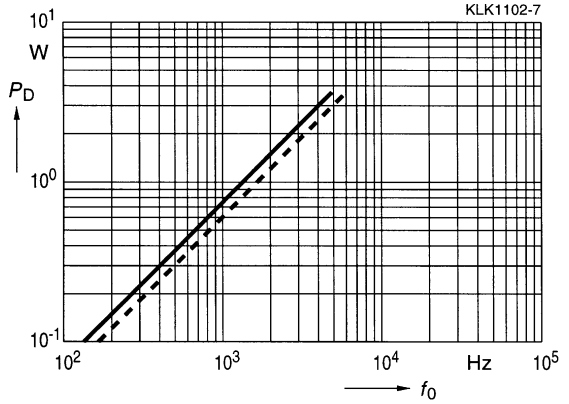
Dimensions $\varnothing \times l$	35 mm \times 48 mm
Approx. weight	60 g
Impregnation	Oil
Fixing	Threaded bolt M8
Mounting hole	9,5 mm
Max. torque	4 Nm
Terminals	Tab connector 6,3 mm
Terminal cross section	1 mm ²
Creepage distance	6 mm
Clearance	6 mm
Overpressure disconnector	

Thermal data

B25834-F4335-K001

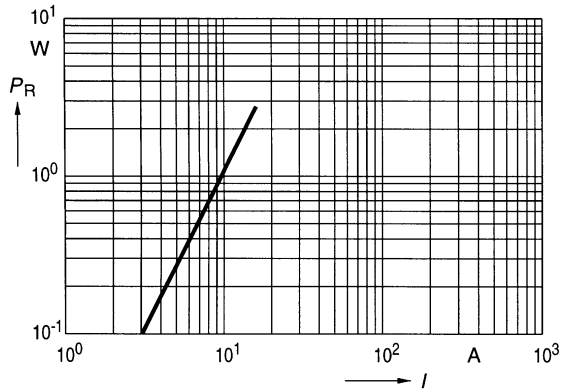
Dielectric power dissipation P_D
 versus repetition frequency f_0

$\hat{u}_{ac} = 600 \text{ V}$ —————
 $\hat{u}_{ac} = 540 \text{ V}$ - - - - -



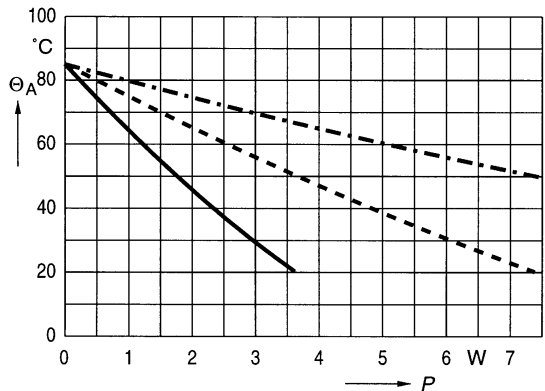
Ohmic power dissipation P_R
 versus rms current value I

$R_S (85^\circ\text{C}) = 10,8 \text{ m}\Omega$



Permissible ambient temperature Θ_A
 versus total power dissipation P
 (Upright mounting position)

Natural cooling —————
 Forced cooling 2 m/s - - - - -
 Permissible capacitor
 temperature - - - - -



B 25 834

Damping, Commutating

10 μ F / 600 Vac

Ordering code: B25834-L4106-K009

Characteristics

C_N , tol.	10 μ F \pm 10 %
U_N	AC 600 V
U_i	AC 530 V
I_{max}	18 A
L_{self}	90 nH
$\tan \delta_0$	$2 \cdot 10^{-4}$
R_S	8 m Ω

Maximum ratings

\hat{u}	750 V
u_s	1000 V
\hat{i}	400 A
I_s	1000 A
$(du/dt)_{max}$	40 V/ μ s
$(du/dt)_s$	100 V/ μ s

Test data

U_{TT}	AC 750 V, 10 s
U_{TC}	AC 2100 V, 10 s
$R_{is} \cdot C$	≥ 3000 s
$\tan \delta$ (50 Hz)	$\leq 3 \cdot 10^{-4}$

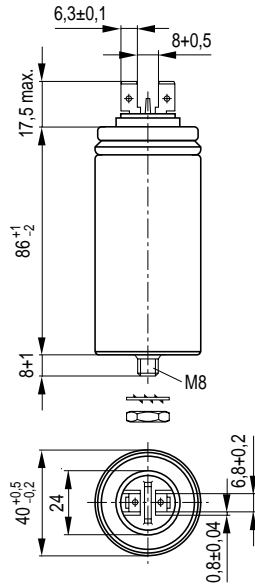
Climatic data

Θ_{min}	- 25 °C
Θ_{max}	+ 85 °C
Humidity	Average relative humidity \leq 75 %
$\alpha_{FQ}(co)$	300/10 ⁹ h
$t_{LD}(co)$	100000 h
Θ_{stg}	- 55 to + 85 °C

IEC climatic category: 25/085/56

(IEC 68-1 and 2)

Θ_{test}	+ 40 °C
Rel. humidity	93 %
t_{test}	56 days
$\Delta C/C$	≤ 1 %
$\Delta \tan \delta$	$\leq 3 \cdot 10^{-4}$
$R_{is} \cdot C$	≥ 3000 s



KLK1432-C

Design data

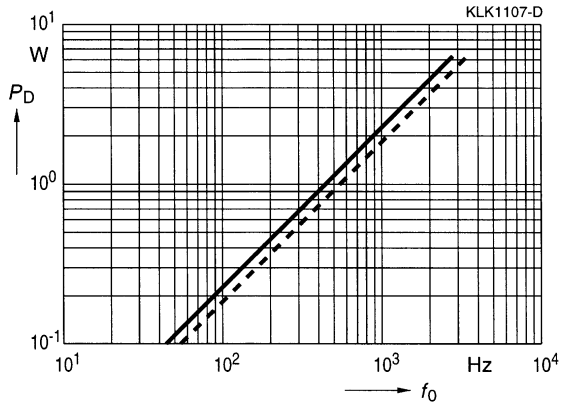
Dimensions $\varnothing \times l$	40 mm \times 86 mm
Approx. weight	130 g
Impregnation	Oil
Fixing	Threaded bolt M8
Mounting hole	9,5 mm
Max. torque	4 Nm
Terminals	Dual tab connector 6,3 mm
Terminal cross section	1,5 mm ²
Creepage distance	10 mm
Clearance	6 mm
Overpressure disconnector	

Thermal data

B25834-L4106-K009

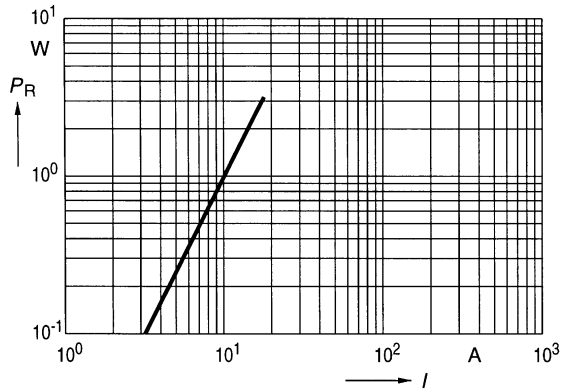
Dielectric power dissipation P_D
 versus repetition frequency f_0

$\hat{u}_{ac} = 600 \text{ V}$ —————
 $\hat{u}_{ac} = 540 \text{ V}$ - - - - -



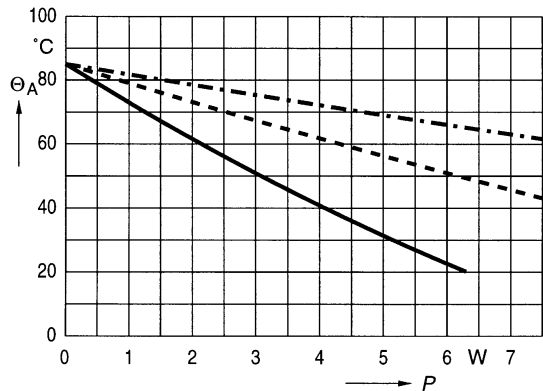
Ohmic power dissipation P_R
 versus rms current value I

$R_S (85^\circ\text{C}) = 9,8 \text{ m}\Omega$



Permissible ambient temperature Θ_A
 versus total power dissipation P
 (Upright mounting position)

Natural cooling —————
 Forced cooling 2 m/s - - - - -
 Permissible capacitor
 temperature - - - - -



B 25 834

Damping, Commutating

100 μ F / 600 Vac

Ordering code: B25834-D4107-K004

Characteristics

C_N , tol.	100 μ F \pm 10 %
U_N	AC 600 V
U_i	AC 530 V
I_{max}	80 A
L_{self}	180 nH
$\tan \delta_0$	$2 \cdot 10^{-4}$
R_S	1,5 m Ω

Maximum ratings

\hat{u}	750 V
u_s	1000 V
\hat{i}	4 kA
I_s	10 kA
$(du/dt)_{max}$	40 V/ μ s
$(du/dt)_s$	100 V/ μ s

Test data

U_{TT}	AC 750 V, 10 s
U_{TC}	AC 2100 V, 10 s
$R_{is} \cdot C$	≥ 10000 s
$\tan \delta$ (50 Hz)	$\leq 3 \cdot 10^{-4}$

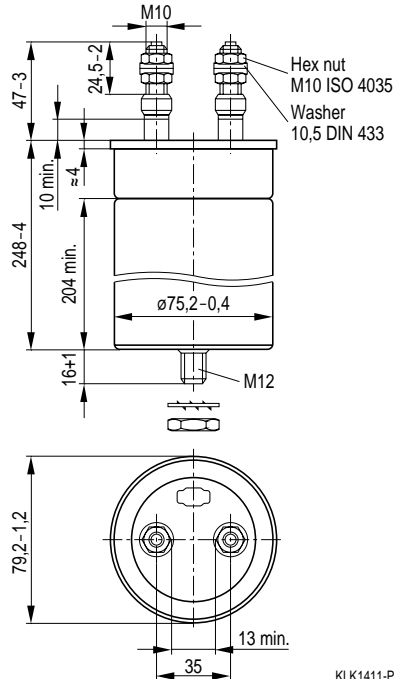
Climatic data

Θ_{min}	- 25 °C
Θ_{max}	+ 85 °C
Humidity	Average relative humidity \leq 95 %
$\alpha_{FQ}(co)$	300/10 ⁹ h
$t_{LD}(co)$	100000 h
Θ_{stg}	- 55 to + 85 °C

IEC climatic category: 25/085/56

(IEC 68-1 and 2)

Θ_{test}	+ 40 °C
Rel. humidity	93 %
t_{test}	56 days
$\Delta C/C$	\leq 1 %
$\Delta \tan \delta$	$\leq 1 \cdot 10^{-4}$
$R_{is} \cdot C$	≥ 10000 s



KLK1411-P

Design data

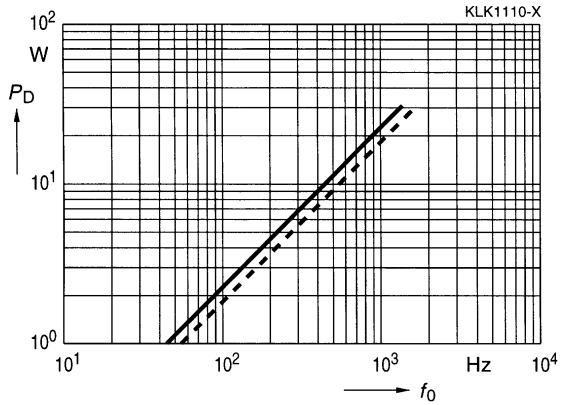
Dimensions $\varnothing \times l$	79,2 mm \times 248 mm
Approx. weight	1500 g
Impregnation	Oil
Fixing	Threaded bolt M12
Mounting hole	14 mm
Max. torque	10 Nm
Terminals	Screw terminals M10
Max. torque	7 Nm
Terminal cross section	16 mm ²
Creepage distance	10 mm
Clearance	10 mm
Overpressure disconnecter	

Thermal data

B25834-D4107-K004

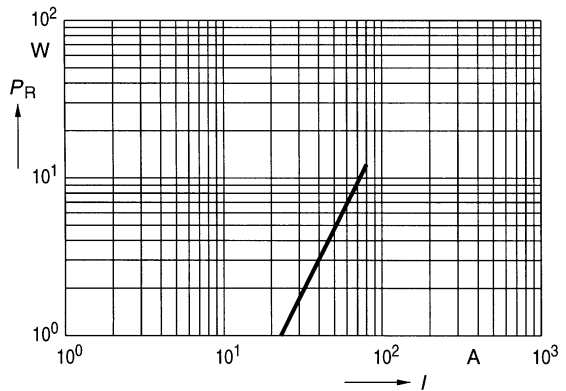
Dielectric power dissipation P_D
 versus repetition frequency f_0

$\hat{u}_{ac} = 600 \text{ V}$ —————
 $\hat{u}_{ac} = 540 \text{ V}$ - - - - -



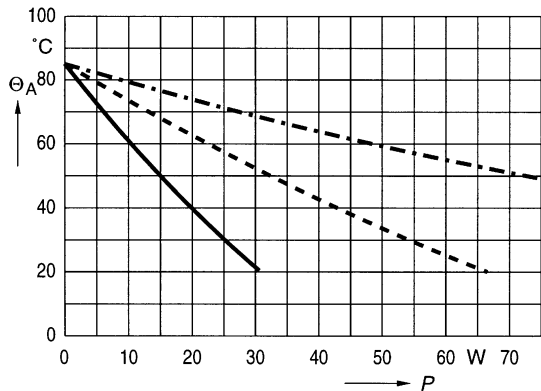
Ohmic power dissipation P_R
 versus rms current value I

$R_S (85^\circ\text{C}) = 1,9 \text{ m}\Omega$



Permissible ambient temperature Θ_A
 versus total power dissipation P
 (Upright mounting position)

Natural cooling —————
 Forced cooling 2 m/s - - - - -
 Permissible capacitor
 temperature - · - · - ·



B 25 834

Damping, Commutating

4,7 μF / 750 Vac

Ordering code: B25834-F5475-K001

Characteristics

C_N , tol.	4,7 μF \pm 10 %
U_N	AC 750 V
U_i	AC 670 V
I_{max}	16 A
L_{self}	90 nH
$\tan \delta_0$	$2 \cdot 10^{-4}$
R_S	13 m Ω

Maximum ratings

\hat{u}	940 V
u_s	1300 V
\hat{i}	240 A
I_s	590 A
$(du/dt)_{\text{max}}$	50 V/ μs
$(du/dt)_s$	125 V/ μs

Test data

U_{TT}	AC 930 V, 10 s
U_{TC}	AC 2400 V, 10 s
$R_{is} \cdot C$	≥ 3000 s
$\tan \delta$ (50 Hz)	$\leq 3 \cdot 10^{-4}$

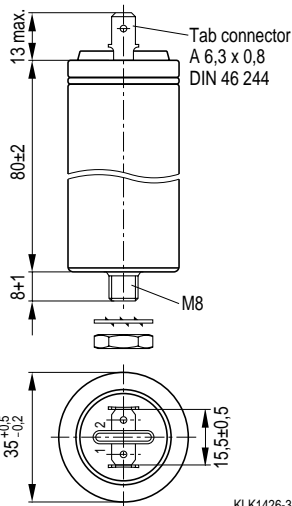
Climatic data

Θ_{min}	- 25 °C
Θ_{max}	+ 85 °C
Humidity	Average relative humidity ≤ 75 %
$\alpha_{\text{FQ}}(\text{co})$	300/10 ⁹ h
$t_{\text{LD}}(\text{co})$	100000 h
Θ_{stg}	- 55 to + 85 °C

IEC climatic category: 25/085/56

(IEC 68-1 and 2)

Θ_{test}	+ 40 °C
Rel. humidity	93 %
t_{test}	56 days
$\Delta C/C$	≤ 1 %
$\Delta \tan \delta$	$\leq 3 \cdot 10^{-4}$
$R_{is} \cdot C$	≥ 1000 s



Design data

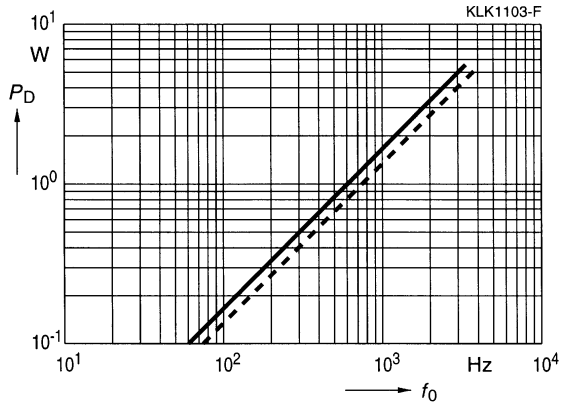
Dimensions $\varnothing \times l$	35 mm \times 80 mm
Approx. weight	100 g
Impregnation	Oil
Fixing	Threaded bolt M8
Mounting hole	9,5 mm
Max. torque	4 Nm
Terminals	Tab connector 6,3 mm
Terminal cross section	1 mm ²
Creepage distance	6 mm
Clearance	6 mm
Overpressure disconnector	

Thermal data

B25834-F5475-K001

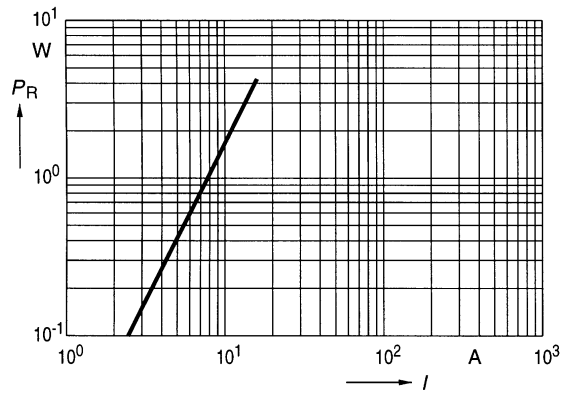
Dielectric power dissipation P_D
 versus repetition frequency f_0

$\hat{u}_{ac} = 750 \text{ V}$ —————
 $\hat{u}_{ac} = 675 \text{ V}$ - - - - -



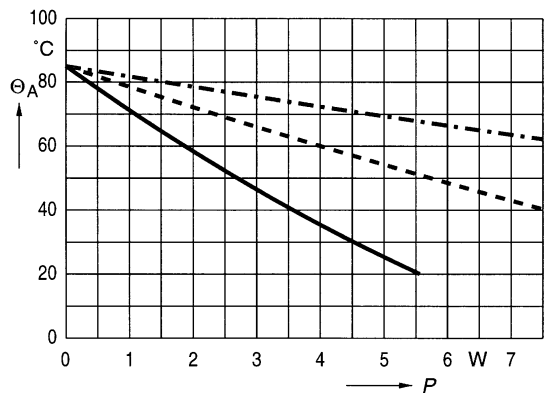
Ohmic power dissipation P_R
 versus rms current value I

$R_S (85^\circ\text{C}) = 16,6 \text{ m}\Omega$



Permissible ambient temperature Θ_A
 versus total power dissipation P
 (Upright mounting position)

Natural cooling —————
 Forced cooling 2 m/s - - - - -
 Permissible capacitor
 temperature - - - - -



B 25 834

Damping, Commutating

10 μF / 750 Vac

Ordering code: B25834-L5106-K009

Characteristics

C_N , tol.	10 μF \pm 10 %
U_N	AC 750 V
U_i	AC 670 V
I_{max}	18 A
L_{self}	90 nH
$\tan \delta_0$	$2 \cdot 10^{-4}$
R_S	7 m Ω

Maximum ratings

\hat{u}	940 V
u_s	1300 V
\hat{i}	500 A
I_s	1250 A
$(du/dt)_{\text{max}}$	50 V/ μs
$(du/dt)_s$	125 V/ μs

Test data

U_{TT}	AC 930 V, 10 s
U_{TC}	AC 2400 V, 10 s
$R_{is} \cdot C$	≥ 3000 s
$\tan \delta$ (50 Hz)	$\leq 3 \cdot 10^{-4}$

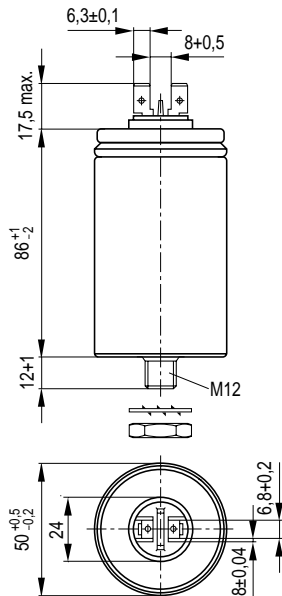
Climatic data

Θ_{min}	- 25 °C
Θ_{max}	+ 85 °C
Humidity	Average relative humidity ≤ 75 %
$\alpha_{\text{FQ}}(\text{co})$	300/10 ⁹ h
$t_{\text{LD}}(\text{co})$	100000 h
Θ_{stg}	- 55 to + 85 °C

IEC climatic category: 25/085/56

(IEC 68-1 and 2)

Θ_{test}	+ 40 °C
Rel. humidity	93 %
t_{test}	56 days
$\Delta C/C$	≤ 1 %
$\Delta \tan \delta$	$\leq 3 \cdot 10^{-4}$
$R_{is} \cdot C$	≥ 3000 s



Design data

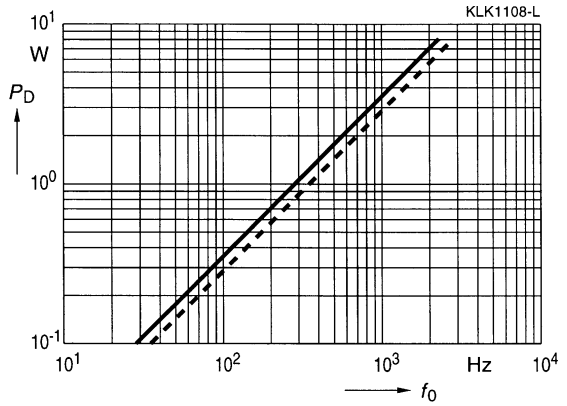
Dimensions $\varnothing \times l$	50 mm \times 86 mm
Approx. weight	200 g
Impregnation	Oil
Fixing	Threaded bolt M12
Mounting hole	14 mm
Max. torque	10 Nm
Terminals	Dual tab connector 6,3 mm
Terminal cross section	1,5 mm ²
Creepage distance	10 mm
Clearance	6 mm
Overpressure disconnector	

Thermal data

B25834-L5106-K009

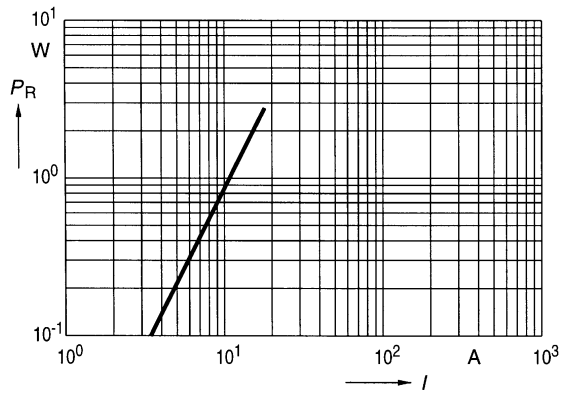
Dielectric power dissipation P_D
 versus repetition frequency f_0

$\hat{u}_{ac} = 750 \text{ V}$ —————
 $\hat{u}_{ac} = 675 \text{ V}$ - - - - -



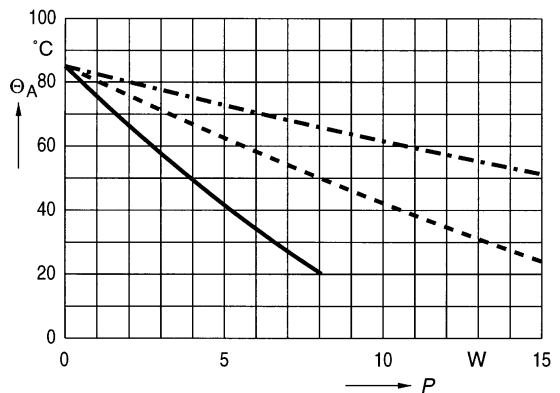
Ohmic power dissipation P_R
 versus rms current value I

$R_S (85 \text{ }^\circ\text{C}) = 8,6 \text{ m}\Omega$



Permissible ambient temperature Θ_A
 versus total power dissipation P
 (Upright mounting position)

Natural cooling —————
 Forced cooling 2 m/s - - - - -
 Permissible capacitor
 temperature - - - - -



B 25 834

Damping, Commutating

100 μ F / 750 Vac

Ordering code: B25834-D5107-K004

Characteristics

C_N , tol.	100 μ F \pm 10 %
U_N	AC 750 V
U_i	AC 670 V
I_{max}	80 A
L_{self}	180 nH
$\tan \delta_0$	$2 \cdot 10^{-4}$
R_S	1,4 m Ω

Maximum ratings

\hat{u}	940 V
u_s	1300 V
\hat{i}	5 kA
I_s	12,5 kA
$(du/dt)_{max}$	50 V/ μ s
$(du/dt)_s$	125 V/ μ s

Test data

U_{TT}	AC 930 V, 10 s
U_{TC}	AC 2400 V, 10 s
$R_{is} \cdot C$	≥ 10000 s
$\tan \delta$ (50 Hz)	$\leq 3 \cdot 10^{-4}$

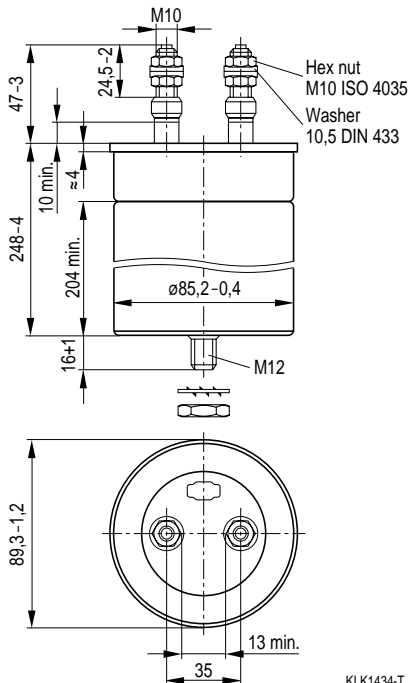
Climatic data

Θ_{min}	- 25 °C
Θ_{max}	+ 85 °C
Humidity	Average relative humidity \leq 95 %
$\alpha_{FQ(co)}$	$300/10^9$ h
$t_{LD(co)}$	100000 h
Θ_{stg}	- 55 to + 85 °C

IEC climatic category: 25/085/56

(IEC 68-1 and 2)

Θ_{test}	+ 40 °C
Rel. humidity	93 %
t_{test}	56 days
$\Delta C/C$	≤ 1 %
$\Delta \tan \delta$	$\leq 1 \cdot 10^{-4}$
$R_{is} \cdot C$	≥ 10000 s



Design data

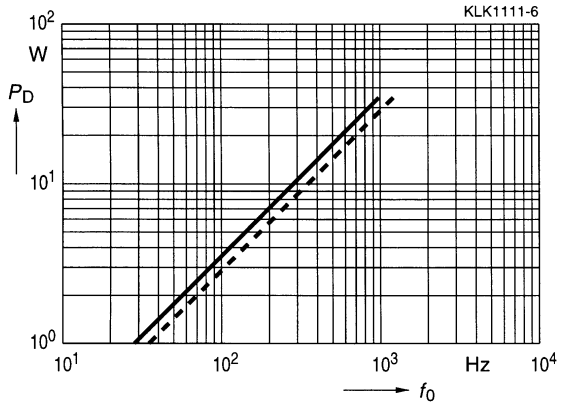
Dimensions $\varnothing \times l$	89,3 mm \times 248 mm
Approx. weight	1900 g
Impregnation	Oil
Fixing	Threaded bolt M12
Mounting hole	14 mm
Max. torque	10 Nm
Terminals	Screw terminals M10
Max. torque	7 Nm
Terminal cross section	16 mm ²
Creepage distance	10 mm
Clearance	10 mm
Overpressure disconnector	

Thermal data

B25834-D5107-K004

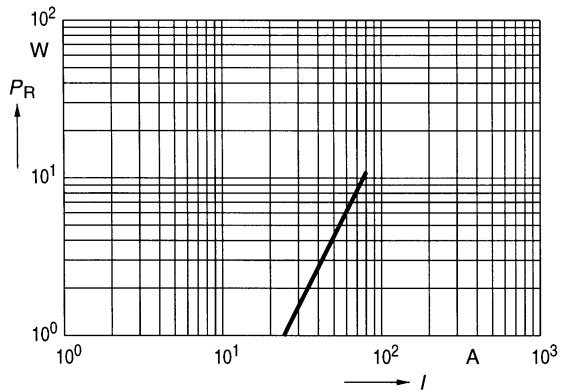
Dielectric power dissipation P_D
 versus repetition frequency f_0

$\hat{u}_{ac} = 750 \text{ V}$ —————
 $\hat{u}_{ac} = 675 \text{ V}$ - - - - -



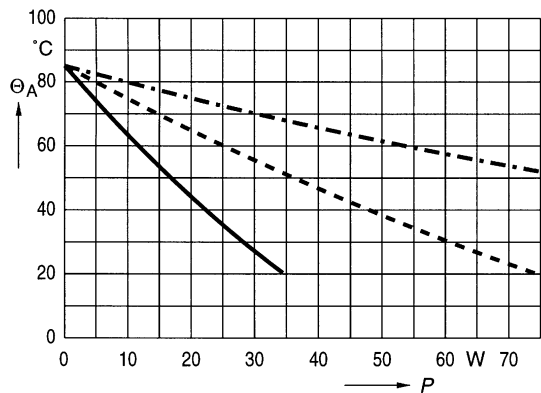
Ohmic power dissipation P_R
 versus rms current value I

$R_S (85^\circ\text{C}) = 1,7 \text{ m}\Omega$



Permissible ambient temperature Θ_A
 versus total power dissipation P
 (Upright mounting position)

Natural cooling —————
 Forced cooling 2 m/s - - - - -
 Permissible capacitor
 temperature - - - - -



B 25 834

Damping, Commutating

0,1 μF / 900 Vac

Ordering code: B25834-F6104-M001

Characteristics

C_N , tol.	0,1 $\mu\text{F} \pm 20\%$
U_N	AC 900 V
U_i	AC 780 V
I_{max}	10 A
L_{self}	50 nH
$\tan \delta_0$	$2 \cdot 10^{-4}$
R_S	33 m Ω

Maximum ratings

\hat{u}	1100 V
u_s	1500 V
\hat{i}	50 A
I_s	120 A
$(du/dt)_{\text{max}}$	480 V/ μs
$(du/dt)_s$	1200 V/ μs

Test data

U_{TT}	AC 1150 V, 10 s
U_{TC}	AC 2600 V, 10 s
R_{is}	$\geq 3000 \text{ M}\Omega$
$\tan \delta$ (50 Hz)	$\leq 3 \cdot 10^{-4}$

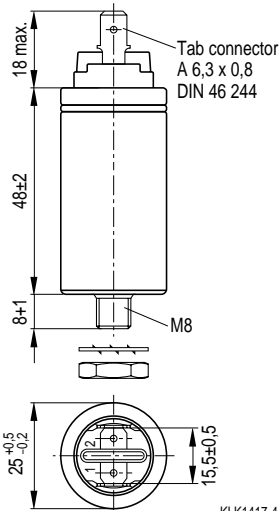
Climatic data

Θ_{min}	- 25 °C
Θ_{max}	+ 85 °C
Humidity	Average relative humidity $\leq 75\%$
$\alpha_{\text{FQ}}(\text{co})$	300/10 ⁹ h
$t_{\text{LD}}(\text{co})$	100000 h
Θ_{stg}	- 55 to + 85 °C

IEC climatic category: 25/085/56

(IEC 68-1 and 2)

Θ_{test}	+ 40 °C
Rel. humidity	93 %
t_{test}	56 days
$\Delta C/C$	$\leq 1\%$
$\Delta \tan \delta$	$\leq 3 \cdot 10^{-4}$
R_{is}	$\geq 1000 \text{ M}\Omega$



Design data

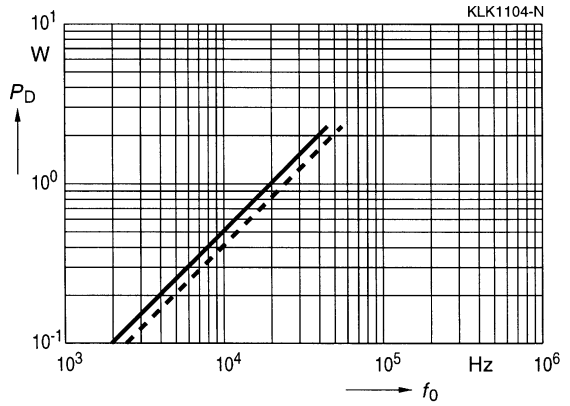
Dimensions $\varnothing \times l$	25 mm \times 48 mm
Approx. weight	30 g
Impregnation	Oil
Fixing	Threaded bolt M8
Mounting hole	9,5 mm
Max. torque	4 Nm
Terminals	Tab connector 6,3 mm
Terminal cross section	1 mm ²
Creepage distance	9 mm
Clearance	7 mm
Overpressure disconnector	

Thermal data

B25834-F6104-M001

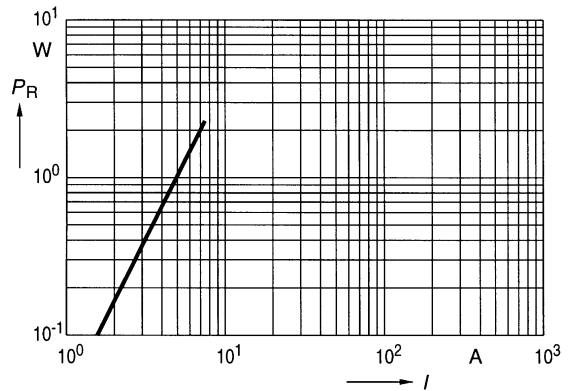
Dielectric power dissipation P_D
 versus repetition frequency f_0

$\hat{u}_{ac} = 900 \text{ V}$ —————
 $\hat{u}_{ac} = 810 \text{ V}$ - - - - -



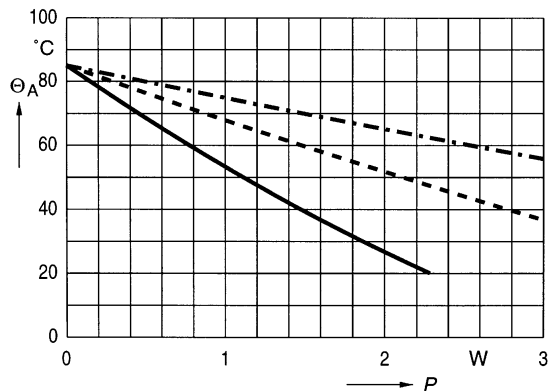
Ohmic power dissipation P_R
 versus rms current value I

$R_S (85^\circ\text{C}) = 41 \text{ m}\Omega$



Permissible ambient temperature Θ_A
 versus total power dissipation P
 (Upright mounting position)

Natural cooling —————
 Forced cooling 2 m/s - - - - -
 Permissible capacitor
 temperature - - - - -



B 25 834

Damping, Commutating

1 μF / 900 Vac

Ordering code: B25834-F6105-K001

Characteristics

C_N , tol.	1 $\mu\text{F} \pm 20\%$
U_N	AC 900 V
U_i	AC 780 V
I_{max}	16 A
L_{self}	50 nH
$\tan \delta_0$	$2 \cdot 10^{-4}$
R_S	12 m Ω

Maximum ratings

\hat{u}	1100 V
u_s	1500 V
\hat{i}	300 A
I_s	750 A
$(du/dt)_{\text{max}}$	300 V/ μs
$(du/dt)_s$	750 V/ μs

Test data

U_{TT}	AC 1150 V, 10 s
U_{TC}	AC 2600 V, 10 s
R_{is}	$\geq 3000 \text{ M}\Omega$
$\tan \delta$ (50 Hz)	$\leq 3 \cdot 10^{-4}$

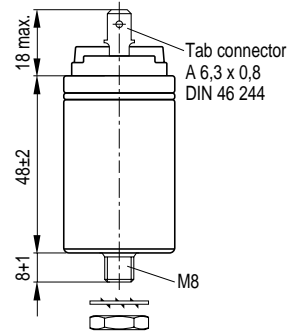
Climatic data

Θ_{min}	- 25 °C
Θ_{max}	+ 85 °C
Humidity	Average relative humidity $\leq 75\%$
$\alpha_{\text{FQ}}(\text{co})$	300/10 ⁹ h
$t_{\text{LD}}(\text{co})$	100000 h
Θ_{stg}	- 55 to + 85 °C

IEC climatic category: 25/085/56

(IEC 68-1 and 2)

Θ_{test}	+ 40 °C
Rel. humidity	93 %
t_{test}	56 days
$\Delta C/C$	$\leq 1\%$
$\Delta \tan \delta$	$\leq 3 \cdot 10^{-4}$
R_{is}	$\geq 1000 \text{ M}\Omega$



KLK1435-2

Design data

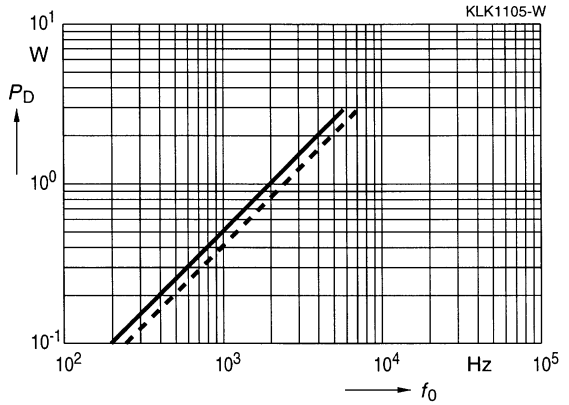
Dimensions $\varnothing \times l$	30 mm \times 48 mm
Approx. weight	50 g
Impregnation	Oil
Fixing	Threaded bolt M8
Mounting hole	9,5 mm
Max. torque	4 Nm
Terminals	Tab connector 6,3 mm
Terminal cross section	1 mm ²
Creepage distance	9 mm
Clearance	7 mm
Overpressure disconnector	

Thermal data

B25834-F6105-K001

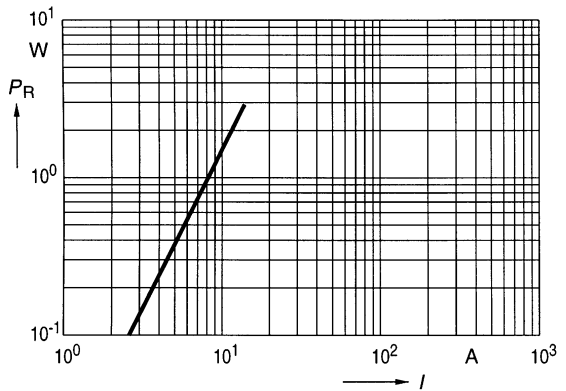
Dielectric power dissipation P_D
 versus repetition frequency f_0

$\hat{u}_{ac} = 900 \text{ V}$ —————
 $\hat{u}_{ac} = 810 \text{ V}$ - - - - -



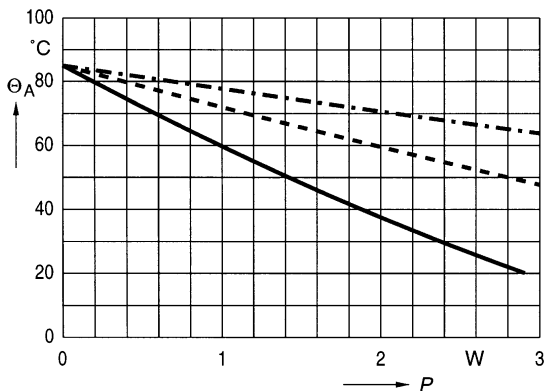
Ohmic power dissipation P_R
 versus rms current value I

$R_S (85^\circ\text{C}) = 15 \text{ m}\Omega$



Permissible ambient temperature Θ_A
 versus total power dissipation P
 (Upright mounting position)

Natural cooling —————
 Forced cooling 2 m/s - - - - -
 Permissible capacitor
 temperature - - - - -



B 25 834

Damping, Commutating

4,7 μF / 900 Vac

Ordering code: B25834-L6475-K009

Characteristics

C_N , tol.	4,7 μF \pm 10 %
U_N	AC 900 V
U_i	AC 780 V
I_{max}	18 A
L_{self}	90 nH
$\tan \delta_0$	$2 \cdot 10^{-4}$
R_S	9 m Ω

Maximum ratings

\hat{u}	1100 V
u_s	1500 V
\hat{i}	330 A
I_s	820 A
$(du/dt)_{\text{max}}$	70 V/ μs
$(du/dt)_s$	175 V/ μs

Test data

U_{TT}	AC 1150 V, 10 s
U_{TC}	AC 2600 V, 10 s
$R_{is} \cdot C$	≥ 3000 s
$\tan \delta$ (50 Hz)	$\leq 3 \cdot 10^{-4}$

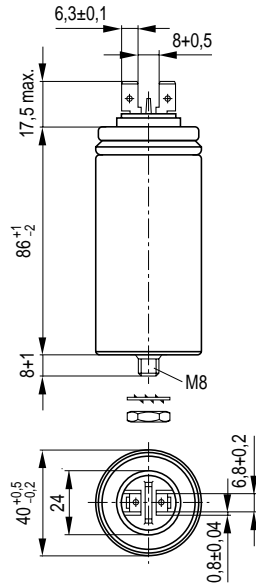
Climatic data

Θ_{min}	- 25 °C
Θ_{max}	+ 85 °C
Humidity	Average relative humidity \leq 75 %
$\alpha_{\text{FQ}}(\text{co})$	300/10 ⁹ h
$t_{\text{LD}}(\text{co})$	100000 h
Θ_{stg}	- 55 to + 85 °C

IEC climatic category: 25/085/56

(IEC 68-1 and 2)

Θ_{test}	+ 40 °C
Rel. humidity	93 %
t_{test}	56 days
$\Delta C/C$	≤ 1 %
$\Delta \tan \delta$	$\leq 3 \cdot 10^{-4}$
$R_{is} \cdot C$	≥ 3000 s



Design data

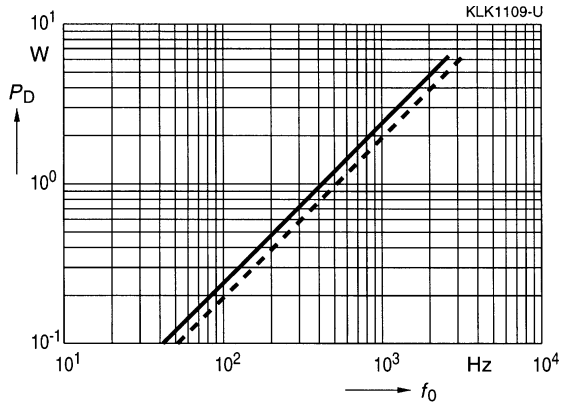
Dimensions $\varnothing \times l$	40 mm \times 86 mm
Approx. weight	130 g
Impregnation	Oil
Fixing	Threaded bolt M8
Mounting hole	9,5 mm
Max. torque	4 Nm
Terminals	Dual tab connector 6,3 mm
Terminal cross section	1,5 mm ²
Creepage distance	10 mm
Clearance	6 mm
Overpressure disconnector	

Thermal data

B25834-L6475-K009

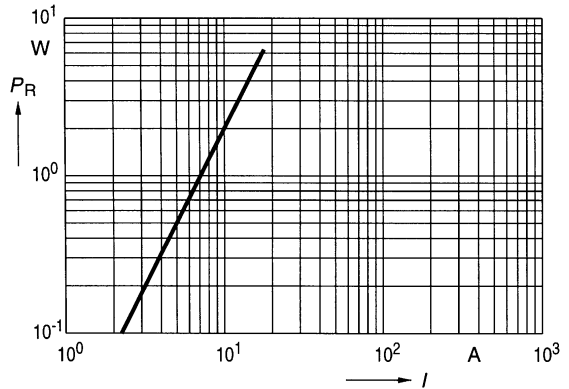
Dielectric power dissipation P_D
 versus repetition frequency f_0

$\hat{u}_{ac} = 900 \text{ V}$ —————
 $\hat{u}_{ac} = 810 \text{ V}$ - - - - -



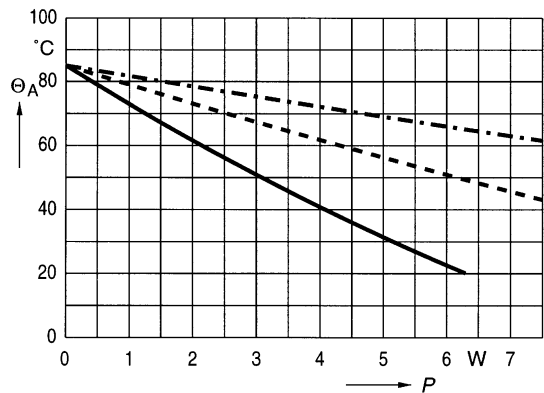
Ohmic power dissipation P_R
 versus rms current value I

$R_S (85^\circ\text{C}) = 20 \text{ m}\Omega$



Permissible ambient temperature Θ_A
 versus total power dissipation P
 (Upright mounting position)

Natural cooling —————
 Forced cooling 2 m/s - - - - -
 Permissible capacitor
 temperature - - - - -



B 25 834

Damping, Commutating

22 μF / 900 Vac

Ordering code: B25834-D6226-K004

Characteristics

C_N , tol.	22 $\mu\text{F} \pm 10\%$
U_N	AC 900 V
U_i	AC 780 V
I_{max}	80 A
L_{self}	110 nH
$\tan \delta_0$	$2 \cdot 10^{-4}$
R_S	2,2 m Ω

Maximum ratings

\hat{u}	1100 V
u_s	1500 V
\hat{i}	1,5 kA
I_s	3,9 kA
$(du/dt)_{\text{max}}$	70 V/ μs
$(du/dt)_s$	175 V/ μs

Test data

U_{TT}	AC 1150 V, 10 s
U_{TC}	AC 2600 V, 10 s
$R_{is} \cdot C$	≥ 10000 s
$\tan \delta$ (50 Hz)	$\leq 3 \cdot 10^{-4}$

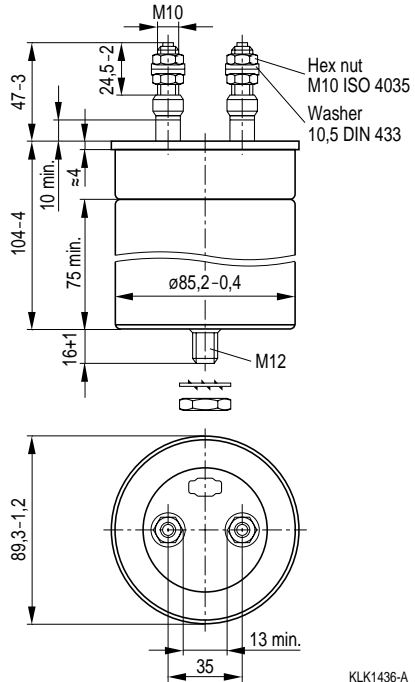
Climatic data

Θ_{min}	- 25 °C
Θ_{max}	+ 85 °C
Humidity	Average relative humidity $\leq 95\%$
$\alpha_{\text{FQ}}(\text{co})$	300/10 ⁹ h
$t_{\text{LD}}(\text{co})$	100000 h
Θ_{stg}	- 55 to + 85 °C

IEC climatic category: 25/085/56

(IEC 68-1 and 2)

Θ_{test}	+ 40 °C
Rel. humidity	93 %
t_{test}	56 days
$\Delta C/C$	$\leq 1\%$
$\Delta \tan \delta$	$\leq 1 \cdot 10^{-4}$
$R_{is} \cdot C$	≥ 10000 s



KLK1436-A

Design data

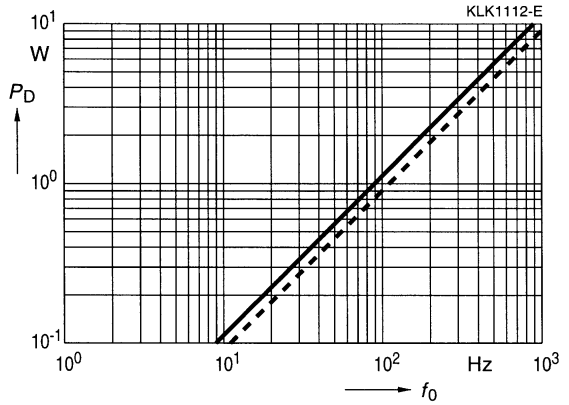
Dimensions $\varnothing \times l$	89,3 mm \times 104 mm
Approx. weight	780 g
Impregnation	Oil
Fixing	Threaded bolt M12
Mounting hole	14 mm
Max. torque	10 Nm
Terminals	Screw terminals M10
Max. torque	7 Nm
Terminal cross section	16 mm ²
Creepage distance	10 mm
Clearance	10 mm
Overpressure disconnecter	

Thermal data

B25834-D6226-K004

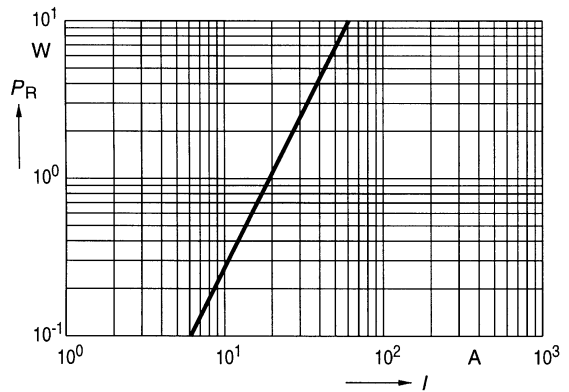
Dielectric power dissipation P_D
versus repetition frequency f_0

$\hat{u}_{ac} = 900 \text{ V}$ —————
 $\hat{u}_{ac} = 810 \text{ V}$ - - - - -



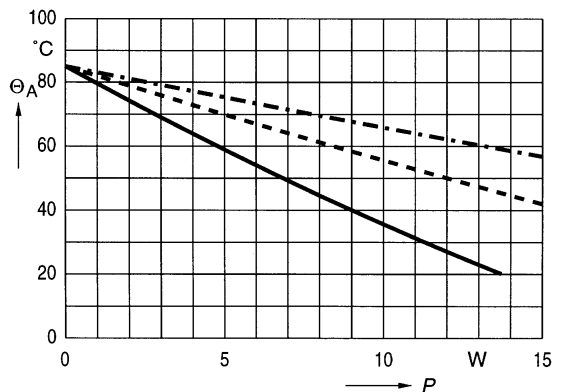
Ohmic power dissipation P_R
versus rms current value I

$R_S (85^\circ\text{C}) = 2,7 \text{ m}\Omega$



Permissible ambient temperature Θ_A
versus total power dissipation P
(Upright mounting position)

Natural cooling —————
Forced cooling 2 m/s - - - - -
Permissible capacitor
temperature - - - - -



B 25 834

Damping, Commutating

33 μ F / 1100 Vac

Ordering code: B25834-D7336-K004

Characteristics

C_N , tol.	33 μ F \pm 10 %
U_N	AC 1100 V
U_i	AC 990 V
I_{max}	80 A
L_{self}	150 nH
$\tan \delta_0$	$2 \cdot 10^{-4}$
R_S	2,8 m Ω

Maximum ratings

\hat{u}	1400 V
u_s	1900 V
\hat{i}	2,6 kA
I_s	6,6 kA
$(du/dt)_{max}$	80 V/ μ s
$(du/dt)_s$	200 V/ μ s

Test data

U_{TT}	AC 1400 V, 10 s
U_{TC}	AC 3000 V, 10 s
$R_{is} \cdot C$	≥ 10000 s
$\tan \delta$ (50 Hz)	$\leq 3 \cdot 10^{-4}$

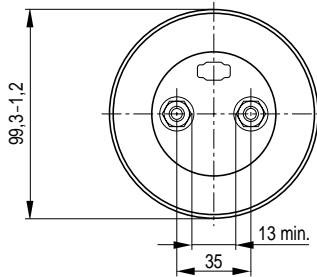
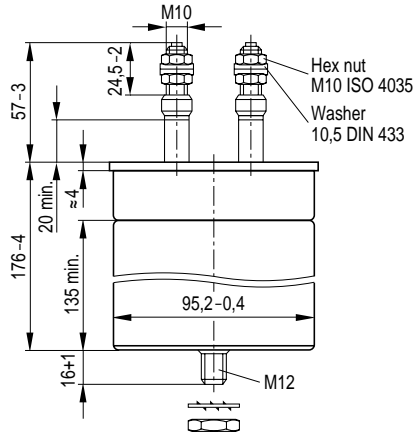
Climatic data

Θ_{min}	- 25 $^{\circ}$ C
Θ_{max}	+ 85 $^{\circ}$ C
Humidity	Average relative humidity \leq 95 %
$\alpha_{FQ(co)}$	$300/10^9$ h
$t_{LD(co)}$	100000 h
Θ_{stg}	- 55 to + 85 $^{\circ}$ C

IEC climatic category: 25/085/56

(IEC 68-1 and 2)

Θ_{test}	+ 40 $^{\circ}$ C
Rel. humidity	93 %
t_{test}	56 days
$\Delta C/C$	\leq 1 %
$\Delta \tan \delta$	$\leq 1 \cdot 10^{-4}$
$R_{is} \cdot C$	≥ 10000 s



KLK1437-I

Design data

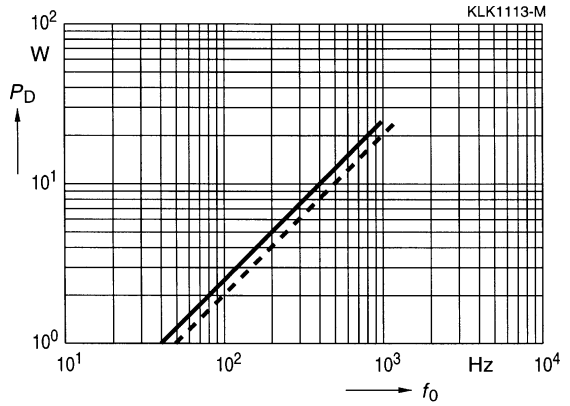
Dimensions $\varnothing \times l$	99,3 mm \times 176 mm
Approx. weight	1600 g
Impregnation	Oil
Fixing	Threaded bolt M12
Mounting hole	14 mm
Max. torque	10 Nm
Terminals	Screw terminals M10
Max. torque	7 Nm
Terminal cross section	16 mm 2
Creepage distance	20 mm
Clearance	13 mm
Overpressure disconnecter	

Thermal data

B25834-D7336-K004

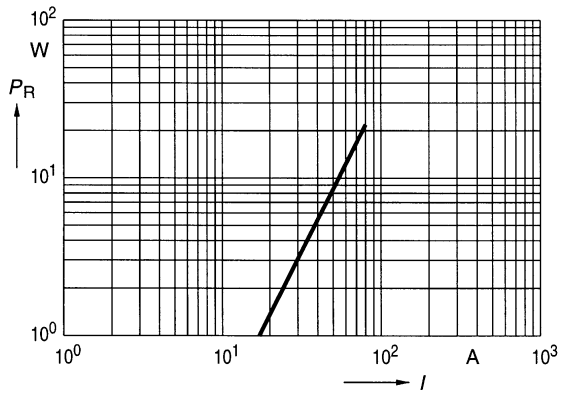
Dielectric power dissipation P_D
 versus repetition frequency f_0

$\hat{u}_{ac} = 1100 \text{ V}$ —————
 $\hat{u}_{ac} = 990 \text{ V}$ - - - - -



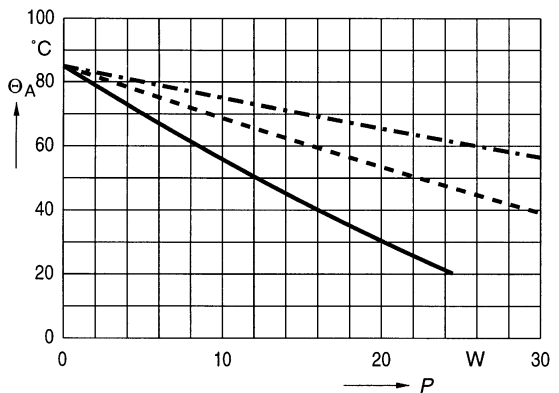
Ohmic power dissipation P_R
 versus rms current value I

$R_S (85^\circ\text{C}) = 3,4 \text{ m}\Omega$



Permissible ambient temperature Θ_A
 versus total power dissipation P
 (Upright mounting position)

Natural cooling —————
 Forced cooling 2 m/s - - - - -
 Permissible capacitor
 temperature - - - - -



B 25 834

Damping, Commutating

10 μF / 1400 Vac

Ordering code: B25834-D0106-K004

Characteristics

C_N , tol.	10 $\mu\text{F} \pm 10\%$
U_N	AC 1400 V
U_i	AC 1300 V
I_{max}	80 A
L_{self}	150 nH
$\tan \delta_0$	$2 \cdot 10^{-4}$
R_S	5,2 m Ω

Maximum ratings

\hat{u}	1800 V
u_s	2400 V
\hat{i}	1,0 kA
I_s	2,5 kA
$(du/dt)_{\text{max}}$	100 V/ μs
$(du/dt)_s$	250 V/ μs

Test data

U_{TT}	AC 1800 V, 10 s
U_{TC}	AC 3600 V, 10 s
$R_{is} \cdot C$	≥ 10000 s
$\tan \delta$ (50 Hz)	$\leq 3 \cdot 10^{-4}$

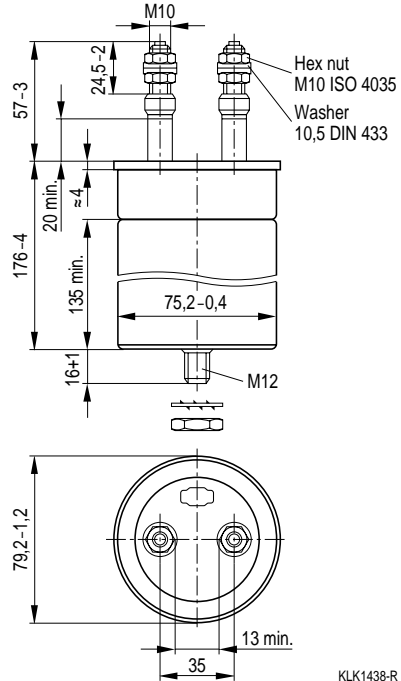
Climatic data

Θ_{min}	- 25 °C
Θ_{max}	+ 85 °C
Humidity	Average relative humidity $\leq 95\%$
$\alpha_{\text{FQ}}(\text{co})$	300/10 ⁹ h
$t_{\text{LD}}(\text{co})$	100000 h
Θ_{stg}	- 55 to + 85 °C

IEC climatic category: 25/085/56

(IEC 68-1 and 2)

Θ_{test}	+ 40 °C
Rel. humidity	93 %
t_{test}	56 days
$\Delta C/C$	$\leq 1\%$
$\Delta \tan \delta$	$\leq 1 \cdot 10^{-4}$
$R_{is} \cdot C$	≥ 10000 s



KLK1438-R

Design data

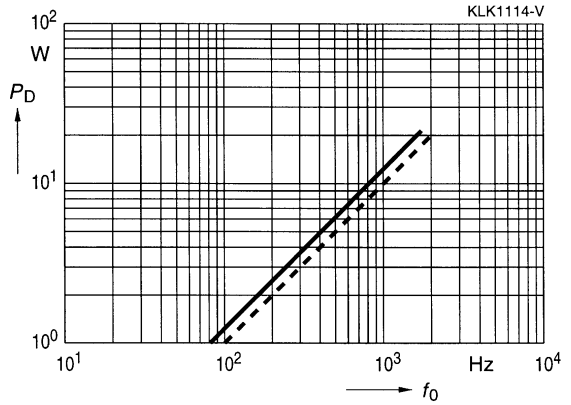
Dimensions $\varnothing \times l$	79,2 mm \times 176 mm
Approx. weight	1000 g
Impregnation	Oil
Fixing	Threaded bolt M12
Mounting hole	14 mm
Max. torque	10 Nm
Terminals	Screw terminals M10
Max. torque	7 Nm
Terminal cross section	16 mm ²
Creepage distance	20 mm
Clearance	13 mm
Overpressure disconnecter	

Thermal data

B25834-D0106-K004

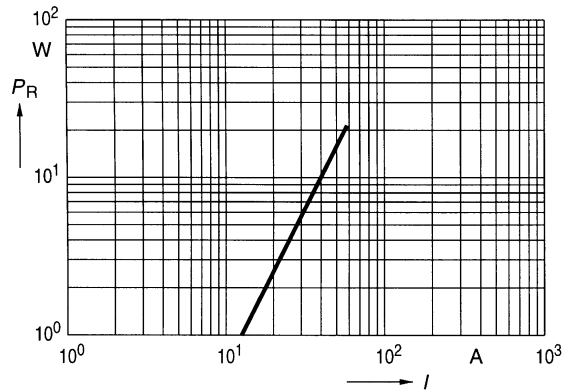
Dielectric power dissipation P_D
 versus repetition frequency f_0

$\hat{u}_{ac} = 1400 \text{ V}$ —————
 $\hat{u}_{ac} = 1260 \text{ V}$ - - - - -



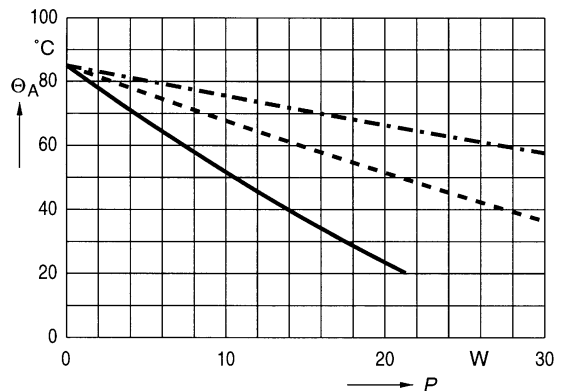
Ohmic power dissipation P_R
 versus rms current value I

$R_S (85^\circ\text{C}) = 6,3 \text{ m}\Omega$



Permissible ambient temperature Θ_A
 versus total power dissipation P
 (Upright mounting position)

Natural cooling —————
 Forced cooling 2 m/s - - - - -
 Permissible capacitor
 temperature - - - - -



B 25 834

Damping, Commutating

22 μF / 1700 Vac

Ordering code: B25834-D1226-K004

Characteristics

C_N , tol.	22 $\mu\text{F} \pm 10\%$
U_N	AC 1700 V
U_i	AC 1500 V
I_{max}	80 A
L_{self}	220 nH
$\tan \delta_0$	$2 \cdot 10^{-4}$
R_S	3,9 m Ω

Maximum ratings

\hat{u}	2100 V
u_s	2900 V
\hat{i}	2,6 kA
I_s	6,6 kA
$(du/dt)_{\text{max}}$	120 V/ μs
$(du/dt)_s$	300 V/ μs

Test data

U_{TT}	AC 2100 V, 10 s
U_{TC}	AC 4000 V, 10 s
$R_{is} \cdot C$	≥ 10000 s
$\tan \delta$ (50 Hz)	$\leq 3 \cdot 10^{-4}$

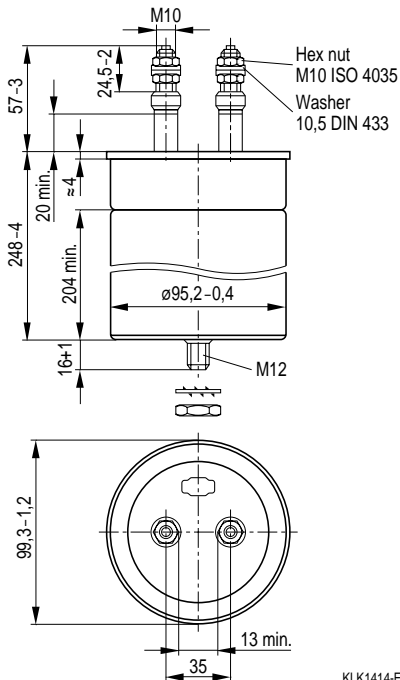
Climatic data

Θ_{min}	- 25 °C
Θ_{max}	+ 85 °C
Humidity	Average relative humidity $\leq 95\%$
$\alpha_{\text{FQ}}(\text{co})$	300/10 ⁹ h
$t_{\text{LD}}(\text{co})$	100000 h
Θ_{stg}	- 55 to + 85 °C

IEC climatic category: 25/085/56

(IEC 68-1 and 2)

Θ_{test}	+ 40 °C
Rel. humidity	93 %
t_{test}	56 days
$\Delta C/C$	$\leq 1\%$
$\Delta \tan \delta$	$\leq 1 \cdot 10^{-4}$
$R_{is} \cdot C$	≥ 10000 s



KLK1414-E

Design data

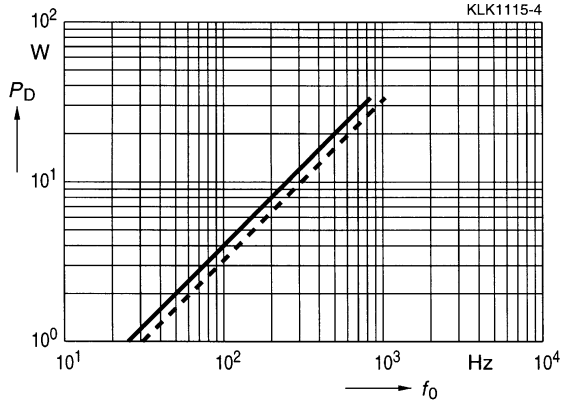
Dimensions $\varnothing \times l$	99,3 mm \times 248 mm
Approx. weight	2300 g
Impregnation	Oil
Fixing	Threaded bolt M12
Mounting hole	14 mm
Max. torque	10 Nm
Terminals	Screw terminals M10
Max. torque	7 Nm
Terminal cross section	16 mm ²
Creepage distance	20 mm
Clearance	13 mm
Overpressure disconnecter	

Thermal data

B25834-D1226-K004

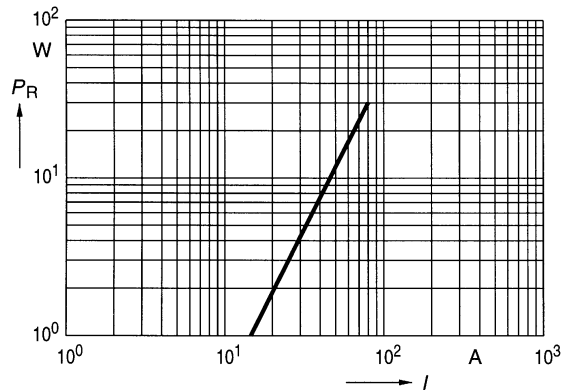
Dielectric power dissipation P_D
 versus repetition frequency f_0

$\hat{u}_{ac} = 1700 \text{ V}$ —————
 $\hat{u}_{ac} = 1530 \text{ V}$ - - - - -



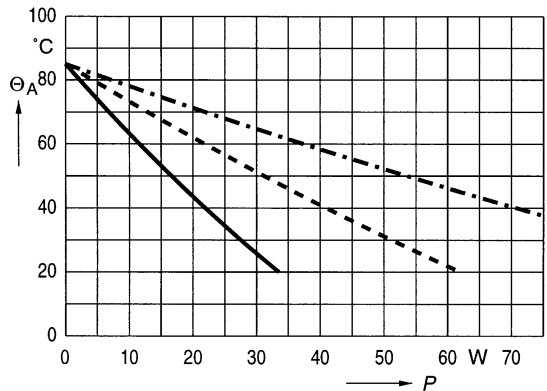
Ohmic power dissipation P_R
 versus rms current value I

$R_S (85^\circ\text{C}) = 4,7 \text{ m}\Omega$



Permissible ambient temperature Θ_A
 versus total power dissipation P
 (Upright mounting position)

Natural cooling —————
 Forced cooling 2 m/s - - - - -
 Permissible capacitor
 temperature - - - - -



B 25 834

Damping, Commutating

10 μ F / 2100 Vac

Ordering code: B25834-D2106-K004

Characteristics

C_N , tol.	10 μ F \pm 10 %
U_N	AC 2100 V
U_i	AC 1900 V
I_{max}	80 A
L_{self}	220 nH
$\tan \delta_0$	$2 \cdot 10^{-4}$
R_S	5,4 m Ω

Maximum ratings

\hat{u}	2600 V
u_s	3600 V
\hat{i}	1,6 kA
I_s	4,0 kA
$(du/dt)_{max}$	160 V/ μ s
$(du/dt)_s$	400 V/ μ s

Test data

U_{TT}	AC 2600 V, 10 s
U_{TC}	AC 4800 V, 10 s
$R_{is} \cdot C$	≥ 10000 s
$\tan \delta$ (50 Hz)	$\leq 3 \cdot 10^{-4}$

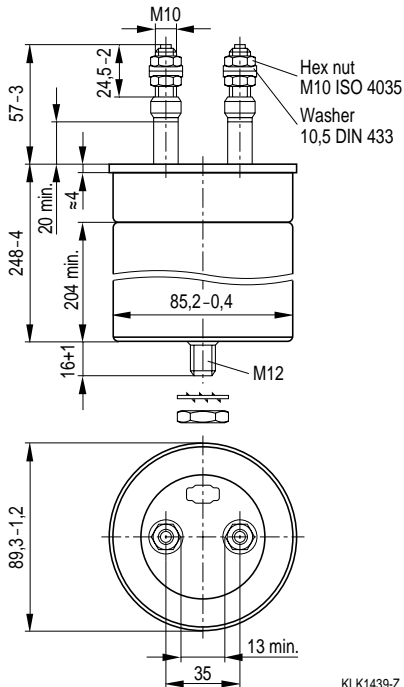
Climatic data

Θ_{min}	- 25 $^{\circ}$ C
Θ_{max}	+ 85 $^{\circ}$ C
Humidity	Average relative humidity \leq 95 %
$\alpha_{FQ(co)}$	300/10 ⁹ h
$t_{LD(co)}$	100000 h
Θ_{stg}	- 55 to + 85 $^{\circ}$ C

IEC climatic category: 25/085/56

(IEC 68-1 and 2)

Θ_{test}	+ 40 $^{\circ}$ C
Rel. humidity	93 %
t_{test}	56 days
$\Delta C/C$	\leq 1 %
$\Delta \tan \delta$	$\leq 1 \cdot 10^{-4}$
$R_{is} \cdot C$	≥ 10000 s



Design data

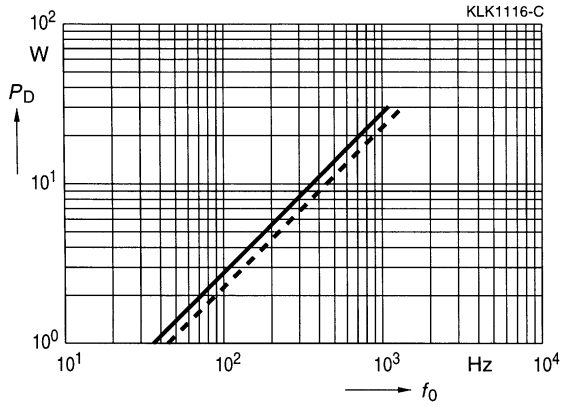
Dimensions $\varnothing \times l$	89,3 mm \times 248 mm
Approx. weight	1900 g
Impregnation	Oil
Fixing	Threaded bolt M12
Mounting hole	14 mm
Max. torque	10 Nm
Terminals	Screw terminals M10
Max. torque	7 Nm
Terminal cross section	16 mm ²
Creepage distance	20 mm
Clearance	13 mm
Overpressure disconnecter	

Thermal data

B25834-D2106-K004

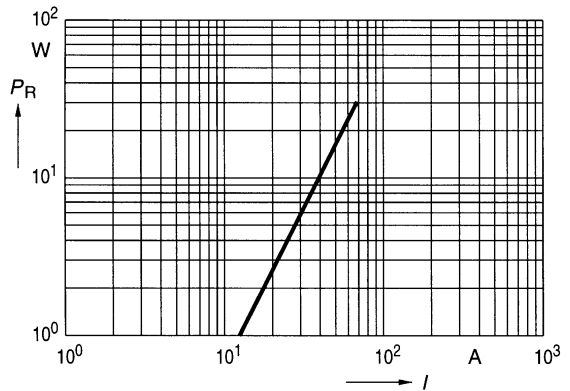
Dielectric power dissipation P_D
 versus repetition frequency f_0

$\hat{u}_{ac} = 2100 \text{ V}$ —————
 $\hat{u}_{ac} = 1890 \text{ V}$ - - - - -



Ohmic power dissipation P_R
 versus rms current value I

$R_S (85^\circ\text{C}) = 6,5 \text{ m}\Omega$



Permissible ambient temperature Θ_A
 versus total power dissipation P
 (Upright mounting position)

Natural cooling —————
 Forced cooling 2 m/s - - - - -
 Permissible capacitor
 temperature - - - - -

