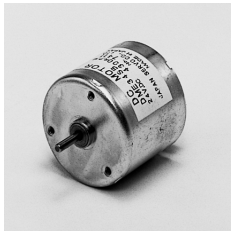
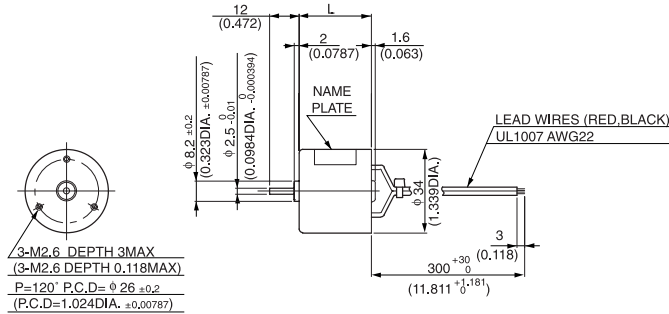


DME34

| MODEL CODE | VOLTAGE | OUTPUT | CURRENT |
|------------|---------|--------|---------|
| SA | 12V | 1.3W | 0.2A |
| SB | 24V | 1.3W | 0.1A |
| BA | 12V | 4.5W | 0.65A |
| BB | 24V | 4.5W | 0.31A |
| KB | 24V | 7W | 0.41A |

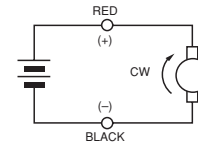


● DIMENSIONS Unit mm(inch)

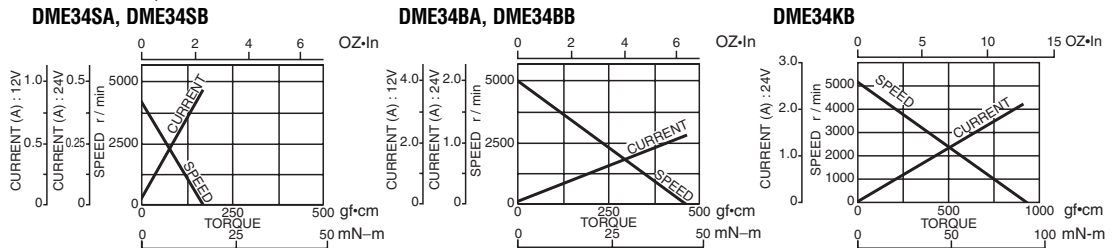


| Model | L | Weight | |
|---------|------|--------|------|
| | | g | lb |
| DME34SA | 29.5 | 100 | 0.22 |
| DME34SB | 29.5 | 100 | 0.22 |
| DME34BA | 35.0 | 110 | 0.24 |
| DME34BB | 35.0 | 110 | 0.24 |
| DME34KB | 45 | 250 | 0.55 |

● CONNECTION



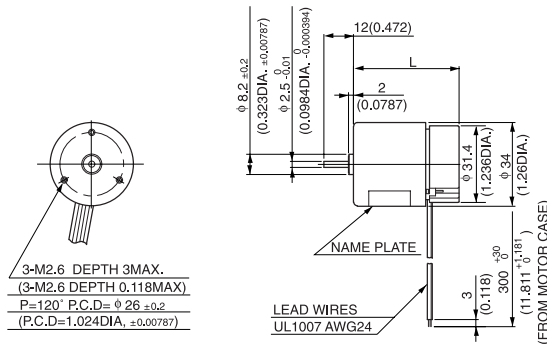
● CURRENT, SPEED-TORQUE CURVE



● STANDARD SPECIFICATIONS

| Model | Rated | | | | | No load | | Stall torque | | |
|---------|-------------|--------------|--------|-------|--------------|----------------|--------------|----------------|------|-------|
| | Output W | Voltage V | Torque | | Current A | Speed r/min | Current A | Speed r/min | mN·m | oz·in |
| | | | mN·m | oz·in | | | | | | |
| DME34SA | 1.3 | 12 | 3.9 | 0.56 | 0.2 | 3300 | 0.04 | 4300 | 17 | 2.36 |
| DME34SB | 1.3 | 24 | 3.9 | 0.56 | 0.1 | 3300 | 0.02 | 4300 | 17 | 2.36 |
| DME34BA | 4.5 | 12 | 11.8 | 1.67 | 0.65 | 3700 | 0.04 | 5000 | 45 | 6.39 |
| DME34BB | 4.5 | 24 | 11.8 | 1.67 | 0.31 | 3700 | 0.04 | 5000 | 45 | 6.39 |
| DME34KB | 7 | 24 | 14.7 | 2.08 | 0.41 | 4300 | 0.06 | 5100 | 92 | 13.03 |

● REVOLUTION SENSOR MAGNET TYPE

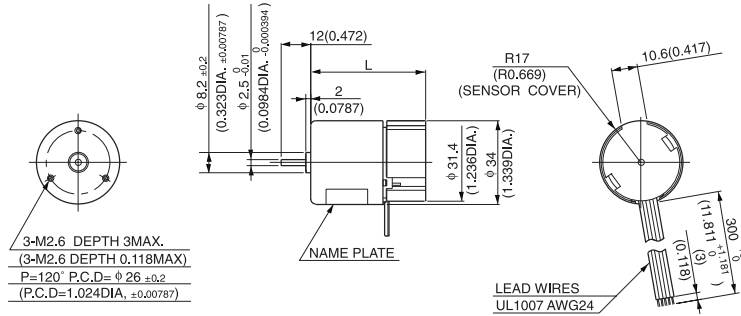


| Model | L | Weight | |
|----------|------|--------|------|
| | | g | lb |
| DME34SMA | 43.1 | 110 | 0.24 |
| DME34SMB | 43.1 | 110 | 0.24 |
| DME34BMA | 48.6 | 120 | 0.26 |
| DME34BMB | 48.6 | 120 | 0.26 |
| DME34KMB | 58.6 | 260 | 0.57 |

DME34

| MODEL CODE | VOLTAGE | OUTPUT | CURRENT |
|------------|---------|--------|---------|
| SA | 12V | 1.3W | 0.2A |
| SB | 24V | 1.3W | 0.1A |
| BA | 12V | 4.5W | 0.65A |
| BB | 24V | 4.5W | 0.31A |
| KB | 24V | 7W | 0.41A |

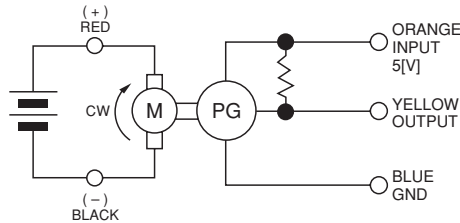
● REVOLUTION SENSOR OPTICAL TYPE



| Model | L | Weight | |
|----------|------|--------|------|
| | | g | lb |
| DME34SEA | 47.1 | 120 | 0.26 |
| DME34SEB | | | |
| DME34BEA | 52.6 | 130 | 0.29 |
| DME34BEB | | | |
| DME34KEB | 62.6 | 270 | 0.59 |

● CONNECTION OF REVOLUTION SENSOR

DME34SMA, DME34SMB, DME34BMA, DME34BMB
DME34SEA, DME34SEB, DME34BEA, DME34BEB



● SPECIFICATION OF REVOLUTION SENSOR ARE SHOWN ON PAGE 4.

WITH GEARBOX 36G

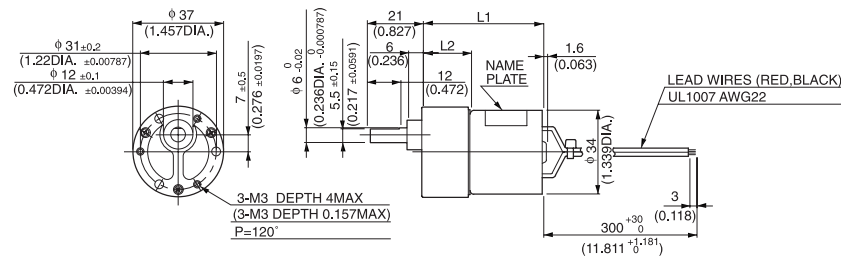
Gear heads for
intermittent drive



36G

● DIMENSIONS Unit mm(inch)

DME34S36G

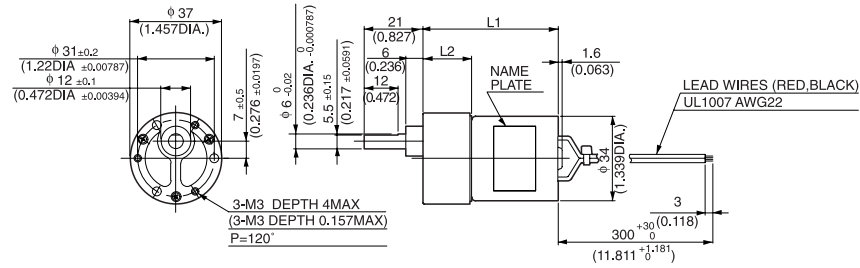


| GEAR RATIO | L1 | | L2 | | WEIGHT | |
|------------|------|--------|------|--------|--------|------|
| | (mm) | (inch) | (mm) | (inch) | g | lb |
| 10 | 49.3 | 1.941 | 19.8 | 0.78 | 200 | 0.44 |
| 20~30 | 51.8 | 2.039 | 22.3 | 0.878 | | |
| 50~100 | 54.3 | 2.138 | 24.8 | 0.976 | | |
| 120~300 | 56.8 | 2.236 | 27.3 | 1.075 | 220 | 0.49 |
| 400~600 | 59.3 | 2.335 | 29.8 | 1.173 | | |

WITH GEARBOX 36G

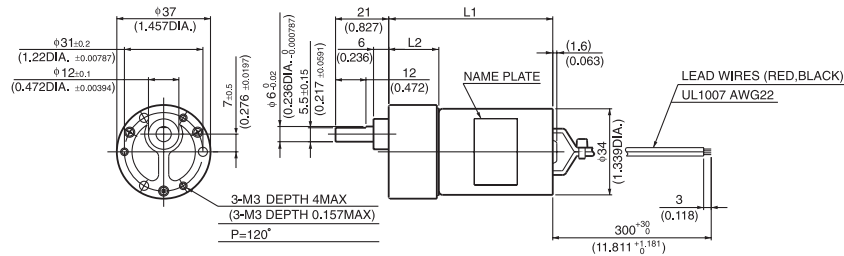
Gear heads for
intermittent drive

DME34B36G



| GEAR RATIO | L1 | | L2 | | WEIGHT | |
|------------|------|--------|------|--------|--------|------|
| | (mm) | (inch) | (mm) | (inch) | g | lb |
| 10 | 54.8 | 2.157 | 19.8 | 0.78 | 210 | 0.46 |
| 20-30 | 57.3 | 2.256 | 22.3 | 0.878 | | |
| 50-100 | 59.8 | 2.354 | 24.8 | 0.976 | | |
| 120-300 | 62.6 | 2.465 | 27.3 | 1.075 | 230 | 0.51 |
| 400-600 | 64.8 | 2.551 | 29.8 | 1.173 | | |

DME34K36G



| GEAR RATIO | L1 | | L2 | | WEIGHT | |
|------------|------|--------|------|--------|--------|------|
| | (mm) | (inch) | (mm) | (inch) | g | lb |
| 10 | 64.8 | 2.551 | 19.8 | 0.78 | 350 | 0.77 |
| 20-30 | 67.3 | 2.669 | 22.3 | 0.878 | | |
| 50-100 | 69.8 | 2.748 | 24.8 | 0.976 | | |
| 120-300 | 72.6 | 2.858 | 27.3 | 1.075 | 370 | 0.82 |
| 400-600 | 74.8 | 2.945 | 29.8 | 1.173 | | |

● with 36G TYPE GEARBOX

| Model | Gear ratio | | 10 | *18 | *20 | 30 | 50 | 60 | 75 | 100 | *120 | *150 | *180 |
|--------------------------------------|--------------|-------------|-------|-------|-------|-------|-------|-------|-------|-------|-------|-------|-------|
| | | Rated speed | r/min | 330 | 183 | 165 | 110 | 66 | 55 | 44 | 33 | 27.5 | 22 |
| DME34S36G <input type="checkbox"/> ☆ | Rated torque | N-m | 0.031 | 0.052 | 0.06 | 0.09 | 0.12 | 0.14 | 0.18 | 0.25 | 0.27 | 0.34 | 0.39 |
| | | oz-in | 4.44 | 7.22 | 8.33 | 12.50 | 18.05 | 20.83 | 26.39 | 36.11 | 38.88 | 48.61 | 55.55 |
| DME34B36G <input type="checkbox"/> ☆ | Rated speed | r/min | 370 | 205 | 185 | 123 | 74 | 65 | 54.9 | 43.4 | 36.5 | 30 | 25.5 |
| | | N-m | 0.095 | 0.14 | 0.16 | 0.25 | 0.38 | 0.39 | 0.39 | 0.39 | 0.39 | 0.39 | 0.39 |
| DME34K36G <input type="checkbox"/> B | Rated torque | N-m | 13.47 | 20.83 | 23.61 | 36.11 | 54.16 | 55.55 | 55.55 | 55.55 | 55.55 | 55.55 | 55.55 |
| | | oz-in | 16.99 | 26.90 | 29.73 | 45.31 | 55.55 | 55.55 | 55.55 | 55.55 | 55.55 | 55.55 | 55.55 |

| Model | Gear ratio | | *200 | *250 | *300 | 400 | 500 | 600 |
|--------------------------------------|--------------|-------------|-------|-------|-------|-------|-------|-------|
| | | Rated speed | r/min | 17.2 | 14.5 | 12.4 | 9.5 | 7.8 |
| DME34S36G <input type="checkbox"/> ☆ | Rated torque | N-m | 0.39 | 0.39 | 0.39 | 0.39 | 0.39 | 0.39 |
| | | oz-in | 55.55 | 55.55 | 55.55 | 55.55 | 55.55 | 55.55 |
| DME34B36G <input type="checkbox"/> ☆ | Rated speed | r/min | 23.1 | 18.8 | 15.8 | 12 | 9.6 | 8.1 |
| | | N-m | 0.39 | 0.39 | 0.39 | 0.39 | 0.39 | 0.39 |
| DME34K36G <input type="checkbox"/> B | Rated torque | N-m | 55.55 | 55.55 | 55.55 | 55.55 | 55.55 | 55.55 |
| | | oz-in | 55.55 | 55.55 | 55.55 | 55.55 | 55.55 | 55.55 |

NOTES 1: On models marked with asterisks (*), the direction of the gearbox shaft rotation is in reverse of the motor rotation direction.
2: In notation model number : fill the reduction ratio denominator in the position marked with the box sign ; fill the voltage in the position marked with the star sign ☆.

DME34

| MODEL CODE | VOLTAGE | OUTPUT | CURRENT |
|------------|---------|--------|---------|
| SA | 12V | 1.3W | 0.2A |
| SB | 24V | 1.3W | 0.1A |
| BA | 12V | 4.5W | 0.65A |
| BB | 24V | 4.5W | 0.31A |
| KB | 24V | 7W | 0.41A |

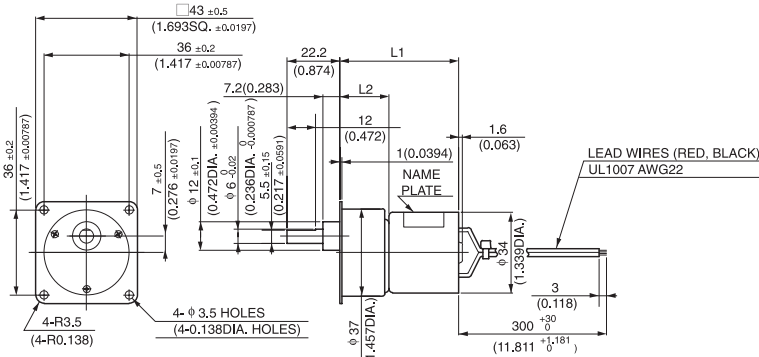
WITH GEARBOX 43G

Gear heads for
intermittent drive



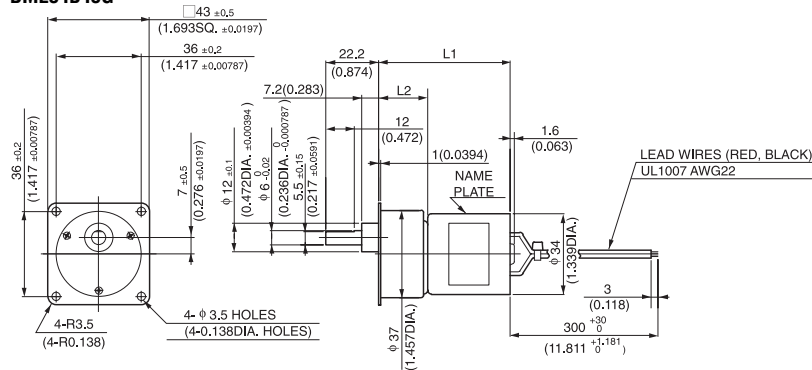
43G

● DIMENSIONS Unit mm(inch) DME34S43G



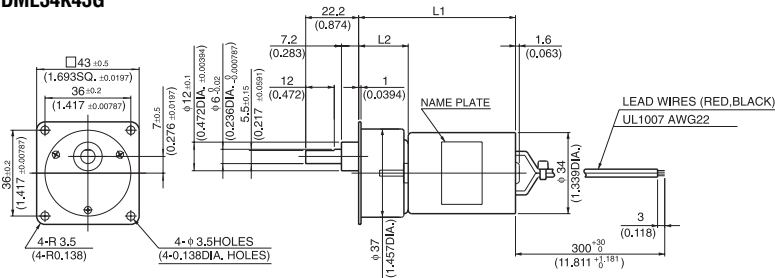
| GEAR RATIO | L1 | | L2 | | WEIGHT | |
|------------|------|--------|------|--------|--------|------|
| | (mm) | (inch) | (mm) | (inch) | g | lb |
| 10~30 | 50.3 | 1.98 | 20.8 | 0.819 | 200 | 0.44 |
| 50~300 | 55.3 | 2.177 | 25.8 | 1.016 | | |

DME34B43G



| GEAR RATIO | L1 | | L2 | | WEIGHT | |
|------------|------|--------|------|--------|--------|------|
| | (mm) | (inch) | (mm) | (inch) | g | lb |
| 10~30 | 55.8 | 2.197 | 20.8 | 0.819 | 210 | 0.46 |
| 50~300 | 60.8 | 2.394 | 25.8 | 1.016 | | |

DME34K43G



| GEAR RATIO | L1 | | L2 | | WEIGHT | |
|------------|------|--------|------|--------|--------|------|
| | (mm) | (inch) | (mm) | (inch) | g | lb |
| 10~30 | 65.8 | 2.591 | 20.8 | 0.819 | 350 | 0.77 |
| 50~300 | 70.8 | 2.787 | 25.8 | 1.016 | | |

DME34

| MODEL CODE | VOLTAGE | OUTPUT | CURRENT |
|------------|---------|--------|---------|
| SA | 12V | 1.3W | 0.2A |
| SB | 24V | 1.3W | 0.1A |
| BA | 12V | 4.5W | 0.65A |
| BB | 24V | 4.5W | 0.31A |
| KB | 24V | 7W | 0.41A |

WITH GEARBOX

L

Gear heads for intermittent drive

●with L TYPE GEARBOX

| Model | Gear ratio | | 30 | 50 | 120 | 150 | 200 | 255 |
|-----------|--------------|--------------|-------|-------|--------|--------|--------|--------|
| | Rated speed | r/min | 110 | 66 | 27 | 22 | 16 | 13 |
| DME34SL□☆ | Rated torque | N·m | 0.07 | 0.11 | 0.28 | 0.34 | 0.46 | 0.59 |
| | | oz·in | 9.72 | 15.28 | 38.88 | 48.61 | 65.27 | 83.32 |
| DME34BL□☆ | Rated speed | r/min | 123 | 74 | 30.8 | 25.1 | 20.4 | 16.8 |
| | | Rated torque | N·m | 0.21 | 0.34 | 0.83 | 0.98 | 0.98 |
| | oz·in | | 29.16 | 48.61 | 118.04 | 138.87 | 138.87 | 138.87 |
| DME34KL□B | Rated speed | r/min | 143 | 86.0 | 36.2 | 30.0 | 23.2 | 18.6 |
| | | Rated torque | N·m | 0.26 | 0.43 | 0.98 | 0.98 | 0.98 |
| | oz·in | | 36.81 | 60.88 | 138.87 | 138.87 | 138.87 | 138.87 |

NOTES 1: On models marked with asterisks (*), the direction of the gearbox shaft rotation is in reverse of the motor rotation direction.
2: In notation model number : fill the reduction ratio denominator in the position marked with the box sign □ ; fill the voltage in the position marked with the star sign ☆.

WITH GEARBOX

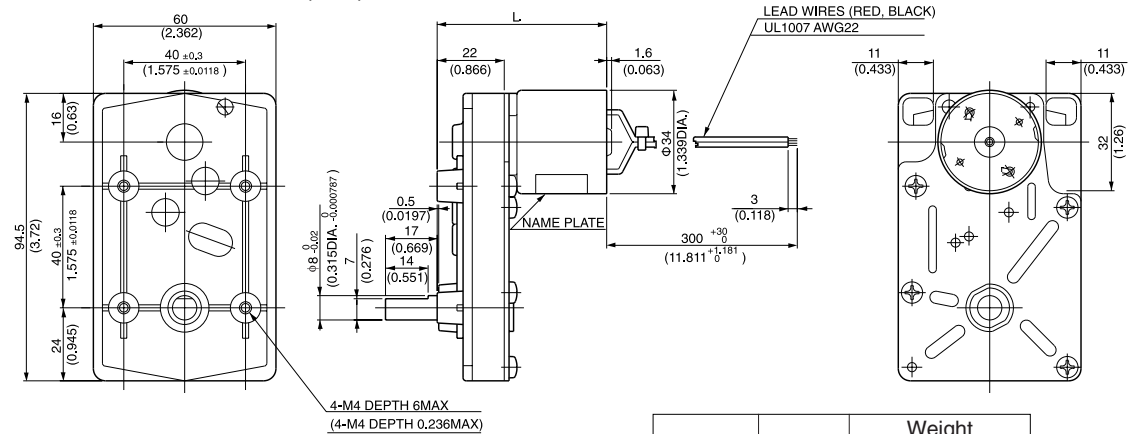
5C

Gear heads for intermittent drive



5C

●DIMENSIONS Unit mm(inch)



| Model | L | Weight | |
|----------|------|--------|------|
| | | g | lb |
| DME34S5C | 55.7 | 310 | 0.68 |
| DME34B5C | 61.2 | 320 | 0.71 |
| DME34K5C | 71.2 | 460 | 1.01 |

●with 5C TYPE GEARBOX

| Model | Gear ratio | | *20 | *30 | *40 | *50 | *60 | *80 | *100 | *150 | 200 | 250 |
|------------|--------------|--------------|-------|-------|-------|-------|-------|--------|--------|--------|--------|--------|
| | Rated speed | r/min | 165 | 110 | 82.5 | 66 | 55 | 41.2 | 33 | 22 | 16.5 | 13.2 |
| DME34S5C□☆ | Rated torque | N·m | 0.057 | 0.085 | 0.11 | 0.14 | 0.17 | 0.23 | 0.28 | 0.42 | 0.51 | 0.64 |
| | | oz·in | 8.05 | 12.08 | 15.28 | 19.44 | 23.61 | 31.94 | 40.27 | 59.71 | 72.21 | 90.27 |
| DME34B5C□☆ | Rated speed | r/min | 185 | 123 | 92.5 | 74 | 61.6 | 46.2 | 37 | 26.7 | 20.8 | 17.3 |
| | | Rated torque | N·m | 0.17 | 0.25 | 0.34 | 0.42 | 0.51 | 0.69 | 0.85 | 0.98 | 0.98 |
| | oz·in | | 23.61 | 36.11 | 48.61 | 59.71 | 72.21 | 97.21 | 120.82 | 138.87 | 138.87 | 138.87 |
| DME34K5C□B | Rated speed | r/min | 215 | 143 | 107 | 86.0 | 71.6 | 53.7 | 43.7 | 30.7 | 23.4 | 19.1 |
| | | Rated torque | N·m | 0.21 | 0.32 | 0.43 | 0.53 | 0.64 | 0.85 | 0.98 | 0.98 | 0.98 |
| | oz·in | | 29.73 | 45.31 | 60.88 | 75.04 | 90.62 | 120.35 | 138.87 | 138.87 | 138.87 | 138.87 |

| Model | Gear ratio | | 300 | 400 | 500 |
|------------|--------------|--------------|--------|--------|--------|
| | Rated speed | r/min | 11 | 8.3 | 7 |
| DME34S5C□☆ | Rated torque | N·m | 0.77 | 0.98 | 0.98 |
| | | oz·in | 108.32 | 138.87 | 138.87 |
| DME34B5C□☆ | Rated speed | r/min | 14.8 | 11.4 | 9.3 |
| | | Rated torque | N·m | 0.98 | 0.98 |
| | oz·in | | 138.87 | 138.87 | 138.87 |
| DME34K5C□B | Rated speed | r/min | 16.1 | 12.2 | 9.87 |
| | | Rated torque | N·m | 0.98 | 0.98 |
| | oz·in | | 138.87 | 138.87 | 138.87 |

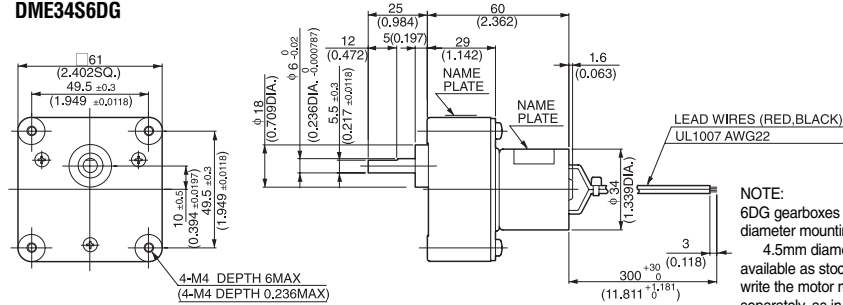
NOTES 1: On models marked with asterisks (*), the direction of the gearbox shaft rotation is in reverse of the motor rotation direction.
2: In notation model number : fill the reduction ratio denominator in the position marked with the box sign □ ; fill the voltage in the position marked with the star sign ☆.

WITH GEARBOX 6DG



6DG

● DIMENSIONS Unit mm(inch) DME34S6DG



A standard gear head (sold separately) has four holes of 4.5mm (0.177inch) diameter and attached with four bolts of M4 x 45mm. (M4 x 1.77inch)

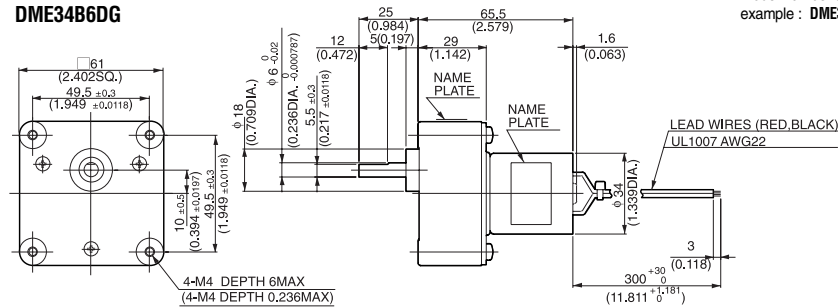
(WEIGHT 400g 0.88lb)

NOTE:
6DG gearboxes are available for either 4.5mm diameter mounting holes or M4 x 6mm tapped holes. 4.5mm diameter mounting holes type gearboxes are available as stock components. When ordering, please write the motor model and gearbox model numbers separately, as in the following example:

Pinion Shaft Motor + Gearbox
DME34B6HPB + 6DG

M4 x 6mm tapped mounting hole type gearboxes are available only on demand, and are supplied only as combined unit with motors. When ordering, please write model number as a single unit, as in the following example : **DME34B6H**

DME34B6DG



A standard gear head (sold separately) has four holes of 4.5mm (0.177inch) diameter and attached with four bolts of M4 x 45mm. (M4 x 1.77inch)

(WEIGHT 410g 0.9 lb)

● with 6DG TYPE GEARBOX MOTOR MODEL DME34S6HP☆, DME34B6HP☆ & GEARBOX MODEL 6DG□

| Model | Gear ratio | | 5 | 12.5 | 15 | *25 | *30 | *50 | *75 | *100 | 150 | 180 | 250 |
|----------------------|--------------|-------|-------|-------|-------|-------|-------|-------|-------|--------|--------|--------|--------|
| | Rated speed | r/min | 660 | 264 | 220 | 132 | 110 | 66 | 44 | 33 | 22 | 18.3 | 13.2 |
| DME34S6HP☆ & 6DG□ | Rated torque | N·m | 0.016 | 0.04 | 0.048 | 0.072 | 0.085 | 0.14 | 0.22 | 0.28 | 0.38 | 0.46 | 0.64 |
| | | oz-in | 2.22 | 5.55 | 6.67 | 10.14 | 12.08 | 19.44 | 30.55 | 40.27 | 54.16 | 65.27 | 90.27 |
| DME34B6HP☆ & 6DG□ | Rated speed | r/min | 740 | 296 | 246 | 148 | 123 | 74 | 49.3 | 37 | 26 | 22.7 | 17.3 |
| | | N·m | 0.047 | 0.12 | 0.14 | 0.22 | 0.26 | 0.42 | 0.64 | 0.85 | 0.98 | 0.98 | 0.98 |
| DME34B6HP☆ & 6DG□ | Rated torque | oz-in | 6.67 | 16.66 | 19.44 | 30.55 | 36.11 | 59.71 | 90.27 | 120.82 | 138.87 | 138.87 | 138.87 |

| Model | Gear ratio | | 300 | 450 | *500 | *750 | *900 | *1800 |
|----------------------|--------------|-------|--------|--------|--------|--------|--------|--------|
| | Rated speed | r/min | 11 | 7.6 | 6.9 | 5 | 4.2 | 2.2 |
| DME34S6HP☆ & 6DG□ | Rated torque | N·m | 0.76 | 0.98 | 0.98 | 0.98 | 0.98 | 0.98 |
| | | oz-in | 108.32 | 138.87 | 138.87 | 138.87 | 138.87 | 138.87 |
| DME34B6HP☆ & 6DG□ | Rated speed | r/min | 14.8 | 10.3 | 9.2 | 6.3 | 5.3 | 2.7 |
| | | N·m | 0.98 | 0.98 | 0.98 | 0.98 | 0.98 | 0.98 |
| DME34B6HP☆ & 6DG□ | Rated torque | oz-in | 138.87 | 138.87 | 138.87 | 138.87 | 138.87 | 138.87 |

DME34

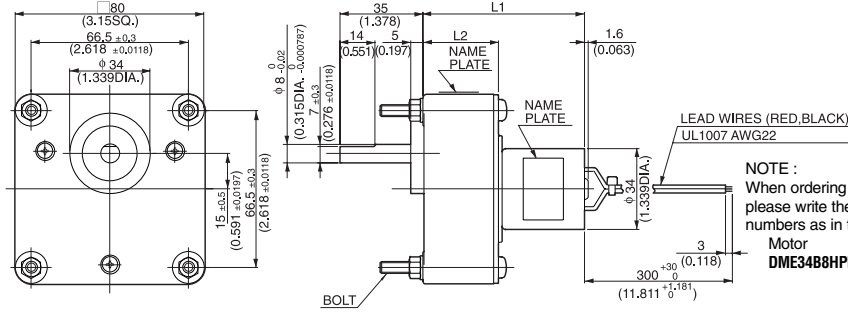
WITH GEARBOX 8DG



8DG

| MODEL CODE | VOLTAGE | OUTPUT | CURRENT |
|------------|---------|--------|---------|
| SA | 12V | 1.3W | 0.2A |
| SB | 24V | 1.3W | 0.1A |
| BA | 12V | 4.5W | 0.65A |
| BB | 24V | 4.5W | 0.31A |
| KB | 24V | 7W | 0.41A |

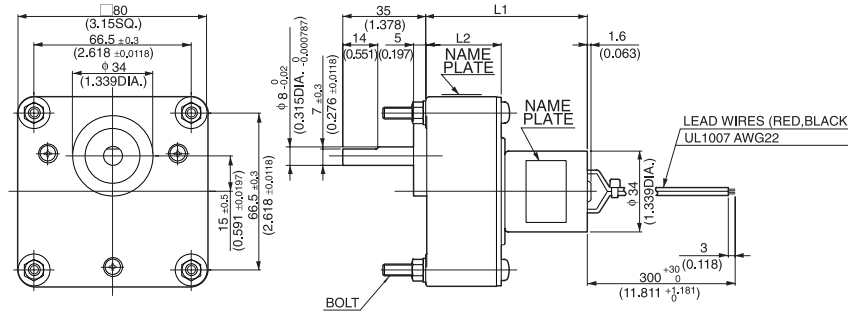
● DIMENSIONS Unit mm(inch)
DME34B8DG



NOTE :
When ordering motors with 8DG gearboxes,
please write the motor model and gearbox model
numbers as in the following example :
Motor **DME34B8HPB** + Gearbox **8DG** □

| GEAR RATIO | L1 | | L2 | | BOLT | | WEIGHT | |
|------------|------|--------|------|--------|-------|----------|--------|------|
| | (mm) | (inch) | (mm) | (inch) | (mm) | (inch) | kg | lb |
| 30~150 | 68.5 | 2.697 | 32 | 1.26 | M5X50 | M5X1.969 | 0.61 | 1.34 |
| 225~1800 | 78.5 | 3.090 | 42 | 1.65 | M5X60 | M5X2.362 | 0.71 | 1.56 |

● DIMENSIONS Unit mm(inch)
DME34K8H



| GEAR RATIO | L1 | | L2 | | BOLT | | WEIGHT | |
|------------|------|--------|------|--------|-------|----------|--------|------|
| | (mm) | (inch) | (mm) | (inch) | (mm) | (inch) | kg | lb |
| 30~150 | 78.5 | 3.090 | 32 | 1.26 | M5X50 | M5X1.969 | 0.75 | 1.65 |
| 250~1800 | 88.5 | 3.484 | 42 | 1.65 | M5X60 | M5X2.362 | 0.85 | 1.87 |

● with 8DG TYPE GEARBOX MOTOR MODEL **DME34B8HP**☆ & GEARBOX MODEL **8DG** □

| Model | Gear ratio | Rated speed | r/min | *30 | *50 | *75 | *100 | *150 | 250 | 300 | *500 | *750 | *1800 |
|-----------------------|------------|-------------|-------|-----------------------|--------|--------|--------|--------|--------|--------|--------|--------|-------|
| | | | | DME34B8HP☆ & 8DG □ | N-m | 0.25 | 0.42 | 0.64 | 0.85 | 1.3 | 1.9 | 2.3 | 3.4 |
| | oz-in | 36.11 | 59.71 | 90.27 | 120.82 | 180.53 | 263.86 | 319.40 | 486.05 | 555.49 | 555.49 | 555.49 | |
| DME34K8HP☆ & 8DG □ | N-m | 0.32 | 0.53 | 0.80 | 1.0 | 1.6 | 2.4 | 2.9 | 3.9 | 3.9 | 3.9 | 3.9 | |
| | oz-in | 45.31 | 75.04 | 113.27 | 141.59 | 226.54 | 339.82 | 410.61 | 555.49 | 555.49 | 555.49 | 555.49 | |

NOTES 1: On models marked with asterisks (*), the direction of the gearbox shaft rotation is in reverse of the motor rotation direction.
2: In notation model number : fill the reduction ratio denominator in the position marked with the box sign □ ; fill the voltage in the position marked with the star sign ☆.