

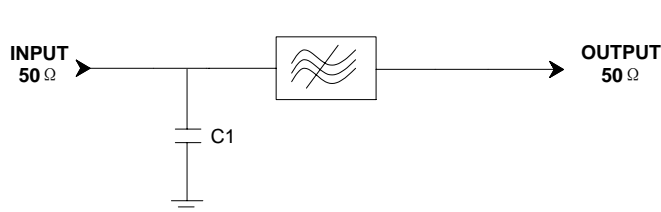
## Specifications

Parameter	Unit	Minimum	Typical	Maximum
Center Frequency	MHz	73.9	74	74.1
Insertion Loss	dB	-	25.7	27
1 dB Bandwidth	MHz	7.5	7.67	-
3 dB Bandwidth	MHz	8	8.1	-
40 dB Bandwidth	MHz	-	9.67	9.8
50 dB Bandwidth	MHz	-	9.83	-
Passband Variation( $f_0 \pm 3.5\text{MHz}$ )	dB	-	0.3	0.7
Absolute Delay	usec	-	2.05	-
Phase Linearity( $f_0 \pm 3.5\text{MHz}$ )	deg	-	3	4
Group Delay Variation( $f_0 \pm 3.5\text{MHz}$ )	nsec	-	40	70
Ultimate Rejection	dB	50	60	-
Material Temperature coefficient	KHz/°C	-6.068		
Ambient Temperature	°C	25		
Package Size	DIP2712 (27.2x12.7x5.2mm3)			

### Notes:


- All specifications are based on the test circuit shown
- In production, devices will be tested at room temperature to a guardbanded specification to ensure electrical compliance over temperature
- Electrical margin has been built into the design to account for the variations due to temperature drift and manufacturing tolerances
- This is the optimum impedance in order to achieve the performance show

## Matching Configuration

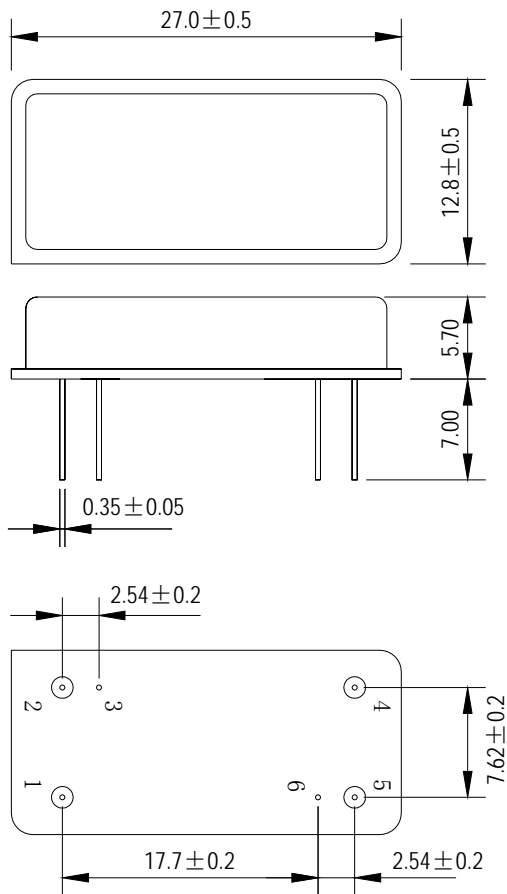


**C1=56pF**  
**Source/Load Impedance=50 ohm**

Notes - Component values may change depending on board layout.

	<b>SIPAT Co., Ltd.</b> ( CETC No. 26 Research Institute ) Nanping Huayuan Road No. 14 Chongqing, China, 400060	Part Number	LBN07403	
		Rev. Date	2006-8-13	
		Rev.	1.0	Page 1/3

*Package Dimension*



Package:DIP2712

Unit:mm

Input	1
Output	4
Ground	2, 3, 5, 6

**Package: DIP2712**

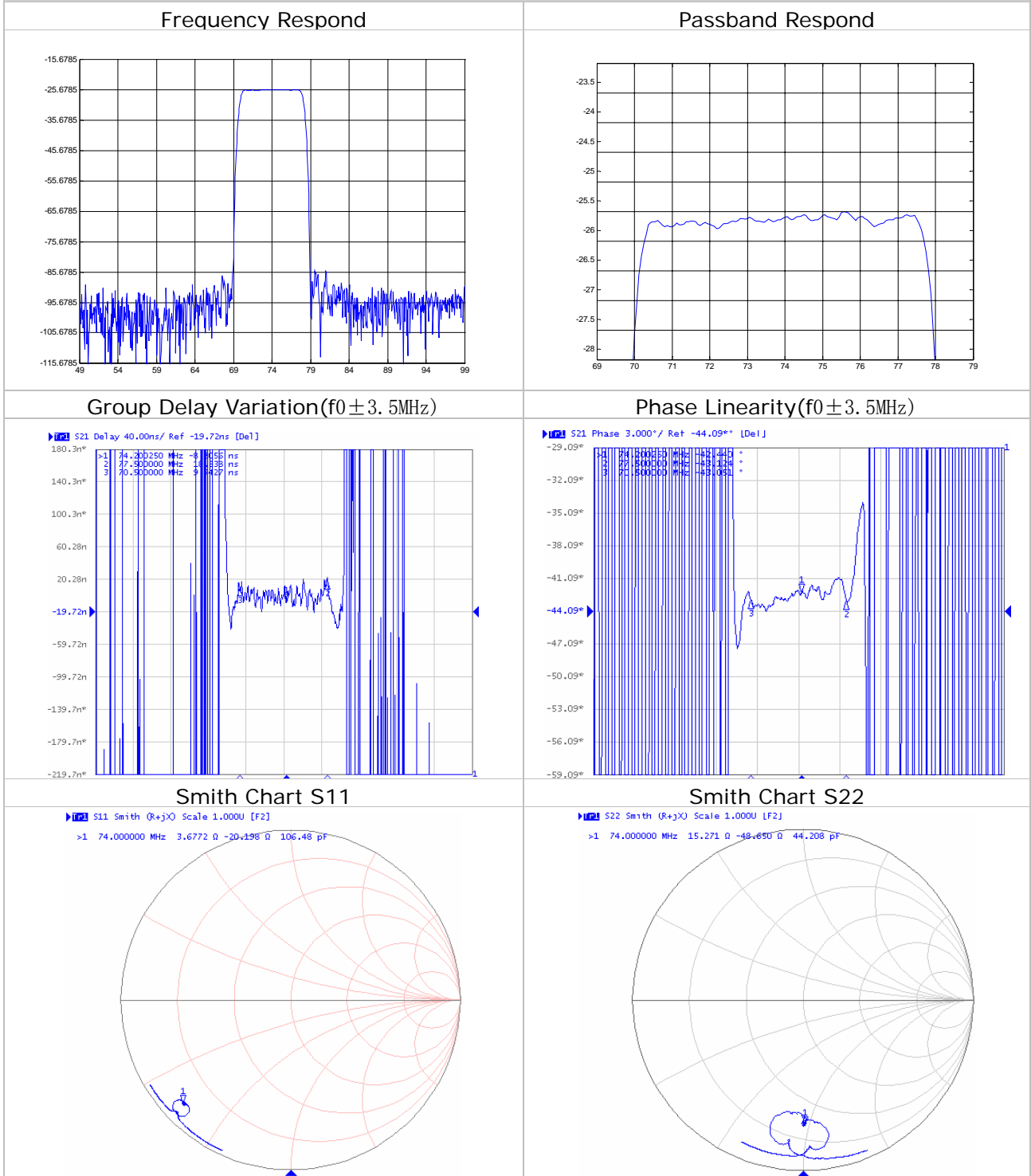
**Unit: mm**




**SIPAT Co., Ltd.**  
( CETC No. 26 Research Institute )  
Nanping Huayuan Road No. 14  
Chongqing, China, 400060

Part Number	LBN07403	
Rev. Date	2006-8-13	
Rev.	1.0	Page 2/3

Typical Performance



	<b>SIPAT Co., Ltd.</b> ( CETC No. 26 Research Institute ) Nanping Huayuan Road No. 14 Chongqing, China, 400060	Part Number	LBN07403	
		Rev. Date	2006-8-13	
		Rev.	1.0	Page