

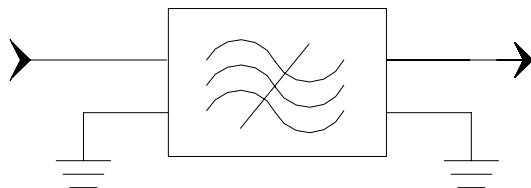
Specifications

Parameter	Unit	Minimum	Typical	Maximum
Center Frequency	MHz	-	70	-
Insertion Loss	dB	-	22	23
3 dB Bandwidth	MHz	7.45	7.5	7.55
$F0 \pm (7.5/2+0.4)$ MHz	dB	35	36	-
$F0 \pm (7.5/2+0.6)$ MHz	dB	45	46.5	-
$F0 \pm (7.5/2+1)$ MHz	dB	50	52	-
$F0 \pm (7.5/2+5)$ MHz	dB	55	57	-
Absolute delay	usec	-	3.824	4.5
Passband Variation	dB	-	0.8	1
Ultimate Rejection	dB	55	57	-
Substrate Material		YZ LiNbO ₃		
Ambient Temperature	°C	25		
Package Size		DIP3512 (35.2x12.7x5.2mm ³)		

Notes:


1. All specifications are based on the test circuit shown
2. In production, devices will be tested at room temperature to a guardbanded specification to ensure electrical compliance over temperature
3. Electrical margin has been built into the design to account for the variations due to temperature drift and manufacturing tolerances
4. This is the optimum impedance in order to achieve the performance shown

Matching Configuration

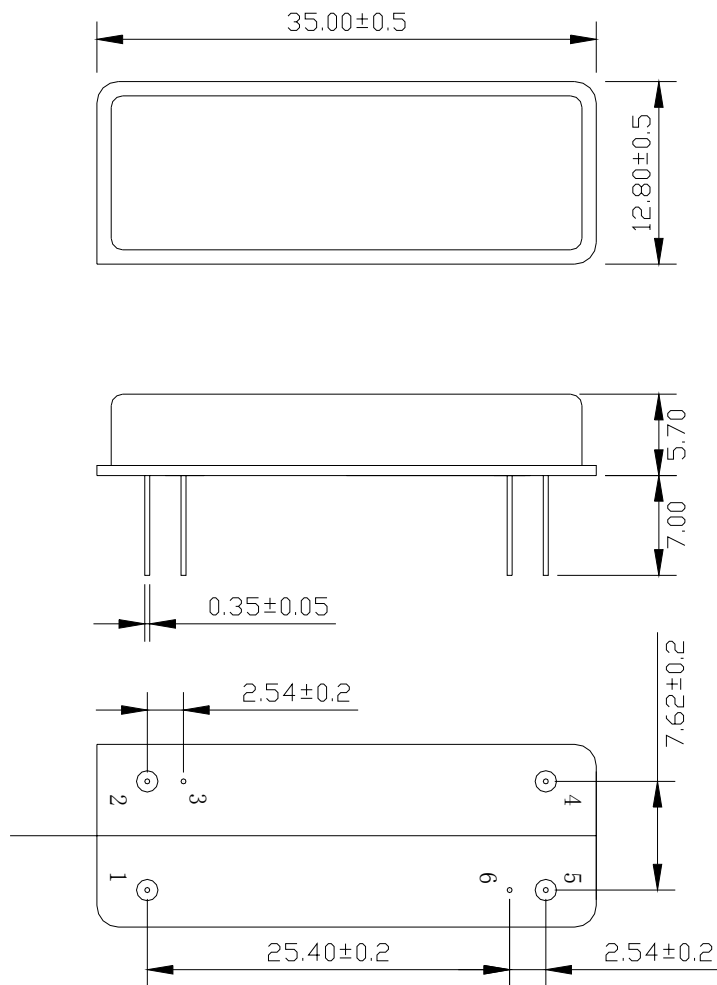



Source/Load Impedance=50 ohm

Notes - Component values may change depending on board layout.

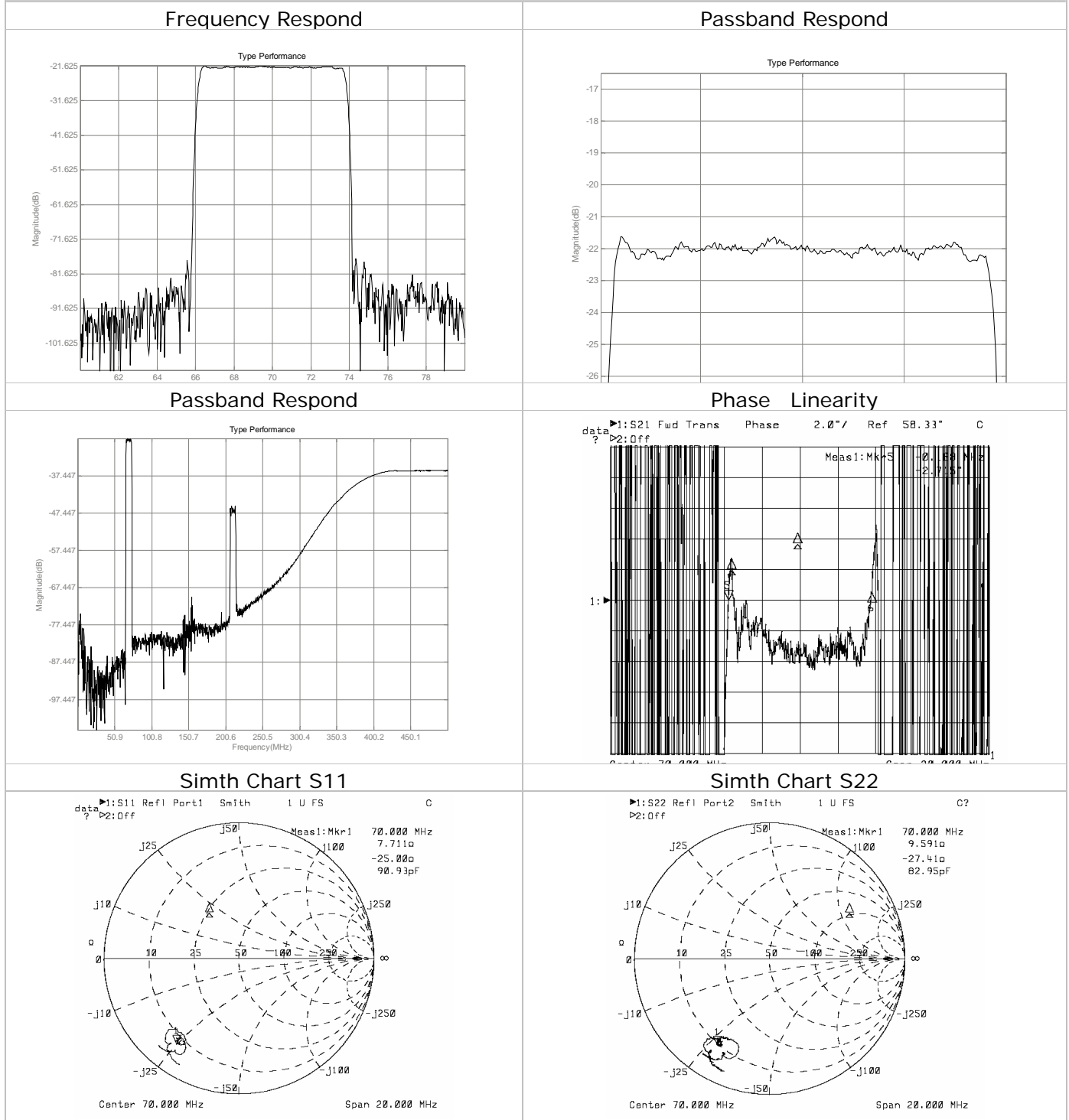
	SIPAT Co., Ltd. (CETC No. 26 Research Institute) Nanping Huayuan Road No. 14 Chongqing, China, 400060	Part Number	LBN07084	
		Rev. Date	2004-11-19	
		Rev.	1.0	Page 1/3


Package Dimension



	SIPAT Co., Ltd. (CETC No. 26 Research Institute) Nanping Huayuan Road No. 14 Chongqing, China, 400060	Part Number	LBN07084	
		Rev. Date	2004-11-19	
		Rev.	1.0	Page 2/3

Typical Performance



	SIPAT Co., Ltd. (CETC No. 26 Research Institute) Nanping Huayuan Road No. 14 Chongqing, China, 400060	Part Number		LBN07084
		Rev. Date		2004-11-19
		Rev.	1.0	Page 3/3