

Silicon NPN Power Transistors

2SC3886A

DESCRIPTION

- With TO-3P(H)IS package
- High voltage ,high speed

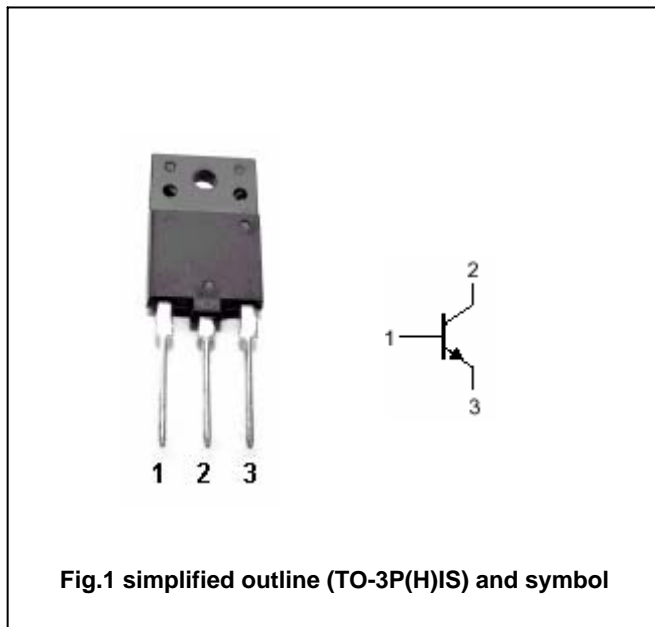
APPLICATIONS

- Horizontal deflection output for high resolution display
- High speed switching regulator output applications

www.DataSheet4U.com

PINNING

PIN	DESCRIPTION
1	Base
2	Collector
3	Emitter



Absolute maximum ratings (Ta=25)

SYMBOL	PARAMETER	CONDITIONS	VALUE	UNIT
V _{CB0}	Collector-base voltage	Open emitter	1500	V
V _{CEO}	Collector-emitter voltage	Open base	600	V
V _{EBO}	Emitter-base voltage	Open collector	5	V
I _C	Collector current		8	A
I _{CM}	Collector current-peak		15	A
I _B	Base current		4	A
P _C	Collector power dissipation	T _C =25	50	W
T _j	Junction temperature		150	
T _{stg}	Storage temperature		-55~150	

Silicon NPN Power Transistors

2SC3886A

CHARACTERISTICS

T_j=25 unless otherwise specified

SYMBOL	PARAMETER	CONDITIONS	MIN	TYP.	MAX	UNIT
V _{(BR)CEO}	Collector-emitter breakdown voltage	I _C =5mA ; I _B =0	600			V
V _{CEsat}	Collector-emitter saturation voltage	I _C =6A ; I _B =1.5A			5.0	V
V _{BEsat}	Base-emitter saturation voltage	I _C =6A ; I _B =1.5A			1.5	V
I _{CBO}	Collector cut-off current	V _{CB} =1500V; I _E =0			1.0	mA
I _{EBO}	Emitter cut-off current	V _{EB} =5V; I _C =0			10	μA
h _{FE}	DC current gain	I _C =1A ; V _{CE} =5V	8	15		
f _T	Transition frequency	I _C =0.1A ; V _{CE} =10V	1	3		MHz
C _{OB}	Collector output capacitance	I _E =0 ; V _{CB} =10V; f=1MHz		210		pF
t _s	Storage time	Resistive load I _{CP} =6A ; I _{B1} =-I _{B2} =1.2A R _L =33.3			2.5	μs
t _f	Fall time				0.15	μs

Silicon NPN Power Transistors

2SC3886A

PACKAGE OUTLINE

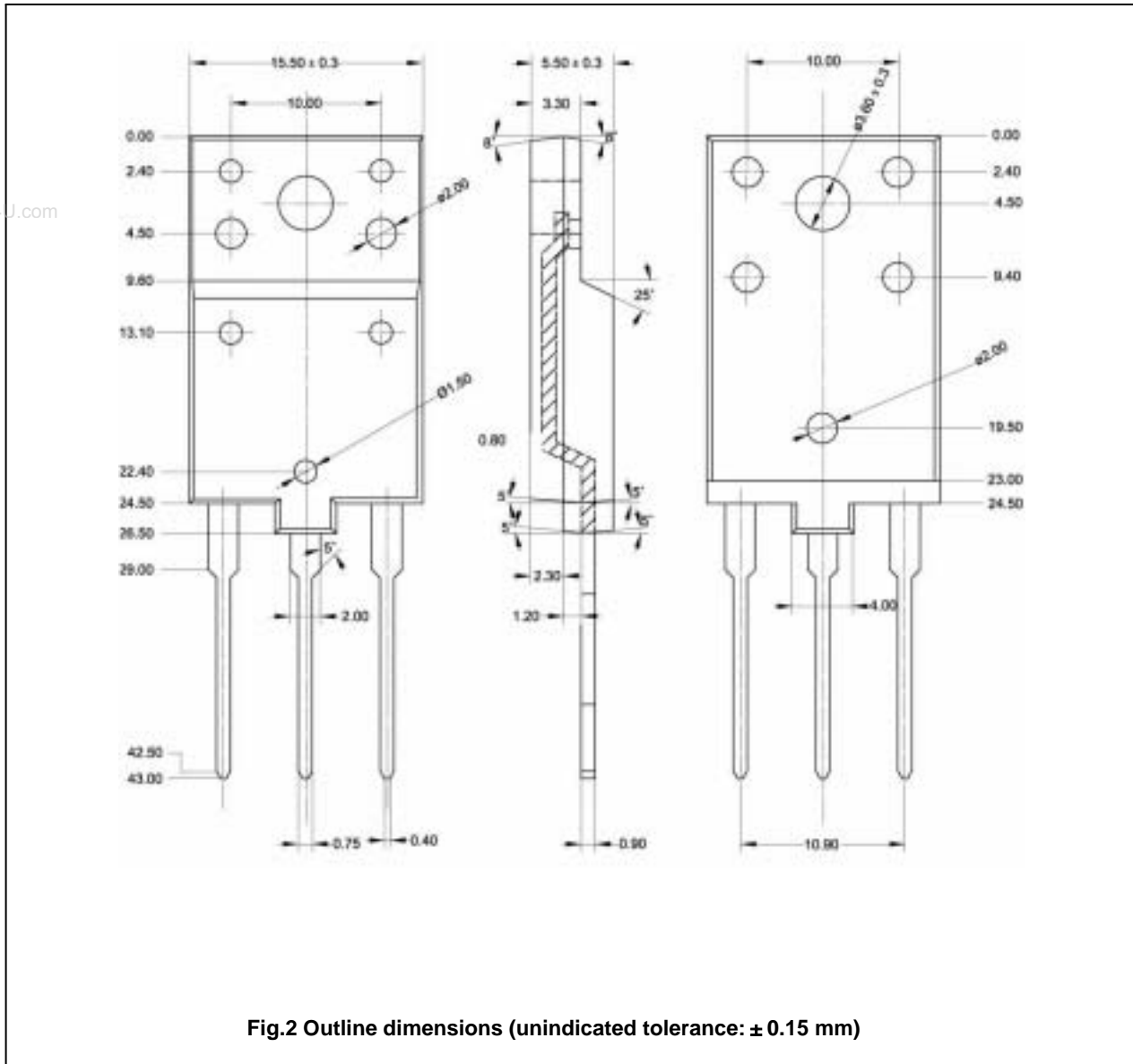


Fig.2 Outline dimensions (unindicated tolerance: ± 0.15 mm)