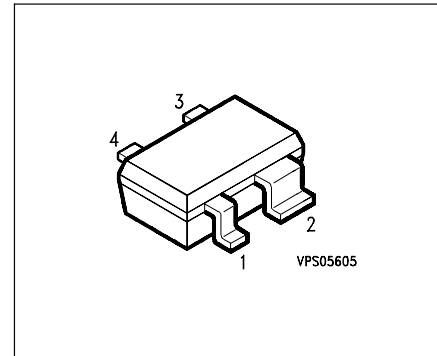


### NPN Silicon RF Transistor

- For low-power amplifiers in mobile communication systems (pager) at collector currents from 0.2 to 2.5mA  
 $f_T = 7\text{GHz}$
- $F = 2.1\text{dB}$  at 900MHz



**ESD:** Electrostatic discharge sensitive device, observe handling precaution!

Type	Marking	Ordering Code	Pin Configuration				Package
BFP 180W	RDs	Q62702-F1500	1 = E	2 = C	3 = E	4 = B	SOT-343

### Maximum Ratings

Parameter	Symbol	Values	Unit
Collector-emitter voltage	$V_{CEO}$	8	V
Collector-emitter voltage	$V_{CES}$	10	
Collector-base voltage	$V_{CBO}$	10	
Emitter-base voltage	$V_{EBO}$	2	
Collector current	$I_C$	4	mA
Base current	$I_B$	0.5	
Total power dissipation $T_S \leq 126\text{ °C}$	$P_{tot}$	30	mW
Junction temperature	$T_j$	150	
Ambient temperature	$T_A$	- 65 ... + 150	
Storage temperature	$T_{stg}$	- 65 ... + 150	

### Thermal Resistance

Junction - soldering point <sup>1)</sup>	$R_{thJS}$	$\leq 785$	K/W
--	------------	------------	-----

1)  $T_S$  is measured on the collector lead at the soldering point to the pcb.

**Electrical Characteristics** at  $T_A = 25^\circ\text{C}$ , unless otherwise specified.

Parameter	Symbol	Values			Unit
		min.	typ.	max.	
<b>DC Characteristics</b>					
Collector-emitter breakdown voltage $I_C = 1 \text{ mA}, I_B = 0$	$V_{(BR)CEO}$	8	-	-	V
Collector-emitter cutoff current $V_{CE} = 10 \text{ V}, V_{BE} = 0$	$I_{CES}$	-	-	100	$\mu\text{A}$
Collector-base cutoff current $V_{CB} = 8 \text{ V}, I_E = 0$	$I_{CBO}$	-	-	100	nA
Emitter-base cutoff current $V_{EB} = 1 \text{ V}, I_C = 0$	$I_{EBO}$	-	-	1	$\mu\text{A}$
DC current gain $I_C = 1 \text{ mA}, V_{CE} = 5 \text{ V}$	$h_{FE}$	30	100	200	-

**Electrical Characteristics** at  $T_A = 25^\circ\text{C}$ , unless otherwise specified.

Parameter	Symbol	Values			Unit
		min.	typ.	max.	
<b>AC Characteristics</b>					
Transition frequency $I_C = 3 \text{ mA}, V_{CE} = 5 \text{ V}, f = 500 \text{ MHz}$	$f_T$	5	7	-	GHz
Collector-base capacitance $V_{CB} = 5 \text{ V}, f = 1 \text{ MHz}$	$C_{cb}$	-	0.22	0.35	pF
Collector-emitter capacitance $V_{CE} = 5 \text{ V}, f = 1 \text{ MHz}$	$C_{ce}$	-	0.27	-	
Emitter-base capacitance $V_{EB} = 0.5 \text{ V}, f = 1 \text{ MHz}$	$C_{eb}$	-	0.1	-	
Noise figure $I_C = 1 \text{ mA}, V_{CE} = 5 \text{ V}, Z_S = Z_{Sopt}$ $f = 900 \text{ MHz}$ $f = 1.8 \text{ GHz}$	$F$	-	2.1 2.25	-	dB
Power gain <sup>1)</sup> $I_C = 1 \text{ mA}, V_{CE} = 5 \text{ V}, Z_S = Z_{Sopt}$ $Z_L = Z_{Lopt}$ $f = 900 \text{ MHz}$ $f = 1.8 \text{ GHz}$	$G_{ms}$	-	15 11.5	-	
Transducer gain $I_C = 1 \text{ mA}, V_{CE} = 5 \text{ V}, Z_S = Z_L = 50 \Omega$ $f = 900 \text{ MHz}$ $f = 1.8 \text{ GHz}$	$ S_{21e} ^2$	-	9 7	-	

1)  $G_{ms} = |S_{21}/S_{12}|$

## SPICE Parameters (Gummel-Poon Model, Berkeley-SPICE 2G.6 Syntax) :

### Transistor Chip Data

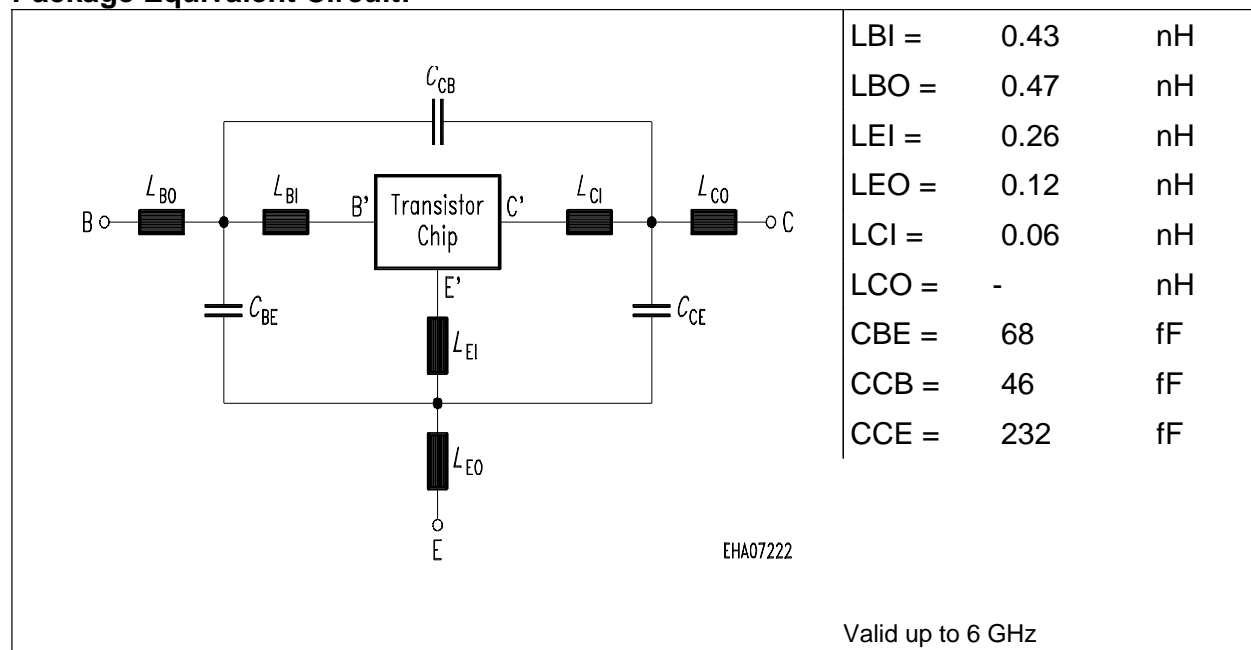
IS =	0.18519	fA	BF =	94.687	-	NF =	1.0236	-
VAF =	26.867	V	IKF =	0.025252	A	ISE =	130.93	fA
NE =	1.9818	-	BR =	20.325	-	NR =	0.93013	-
VAR =	3.2134	V	IKR =	0.012138	A	ISC =	6.1852	fA
NC =	1.6195	-	RB =	1.4255	$\Omega$	IRB =	0.01	mA
RBM =	60	$\Omega$	RE =	3.7045	$\Omega$	RC =	0.56	$\Omega$
CJE =	3.2473	fF	VJE =	1.1812	V	MJE =	0.41827	-
TF =	14.866	ps	XTF =	0.3062	-	VTF =	0.22023	V
ITF =	1.0202	mA	PTF =	0	deg	CJC =	183.69	fF
VJC =	1.1812	V	MJC =	0.30423	-	XCJC =	0.08334	-
TR =	2.2648	ns	CJS =	0	fF	VJS =	0.75	V
MJS =	0	-	XTB =	0	-	EG =	1.11	eV
XTI =	3	-	FC =	0.87906	-	TNOM	300	K

All parameters are ready to use, no scaling is necessary.

Extracted on behalf of SIEMENS Small Signal Semiconductors by:  
Institut für Mobil-und Satellitenfunktechnik (IMST)

© 1996 SIEMENS AG

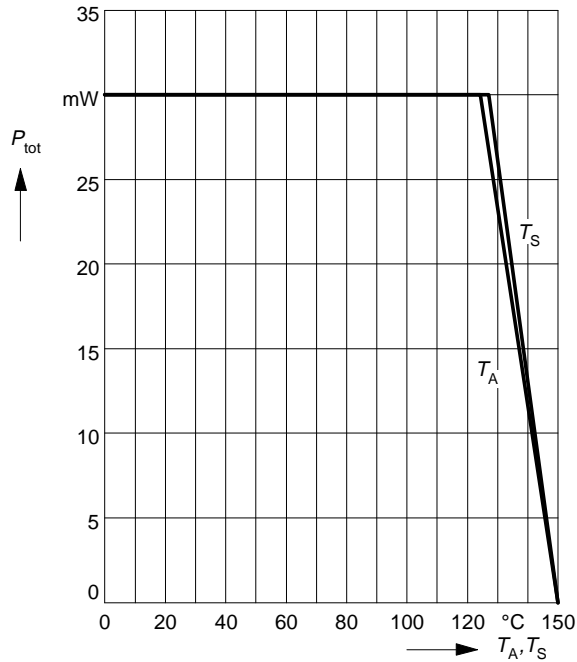
### Package Equivalent Circuit:



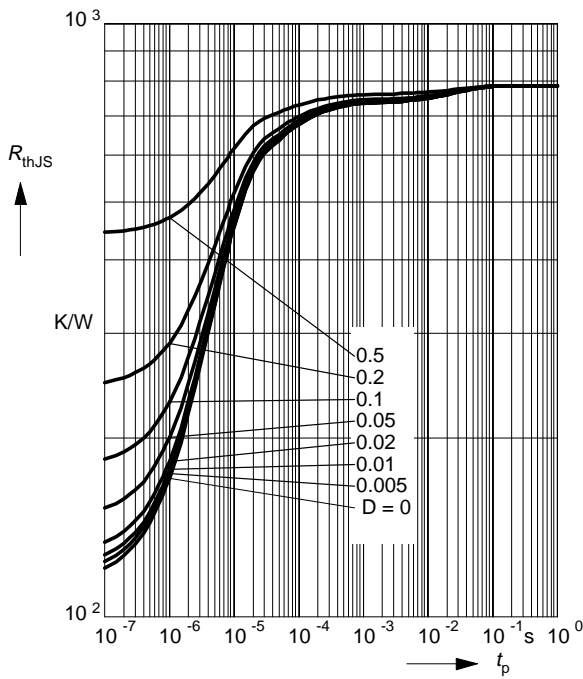
For examples and ready to use parameters please contact your local Siemens distributor or sales office to obtain a Siemens CD-ROM or see Internet: <http://www.siemens.de/Semiconductor/products/35/35.htm>

**Total power dissipation**  $P_{tot} = f(T_A^*, T_S)$

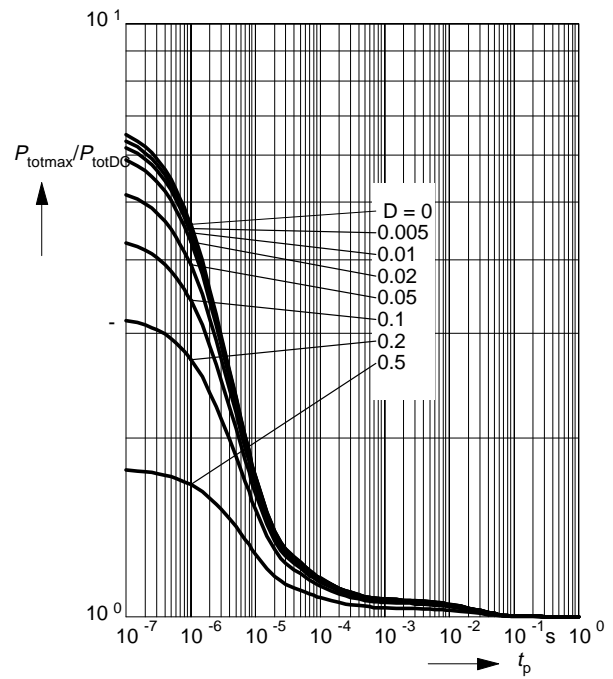
\* Package mounted on epoxy



**Permissible Pulse Load**  $R_{thJS} = f(t_p)$

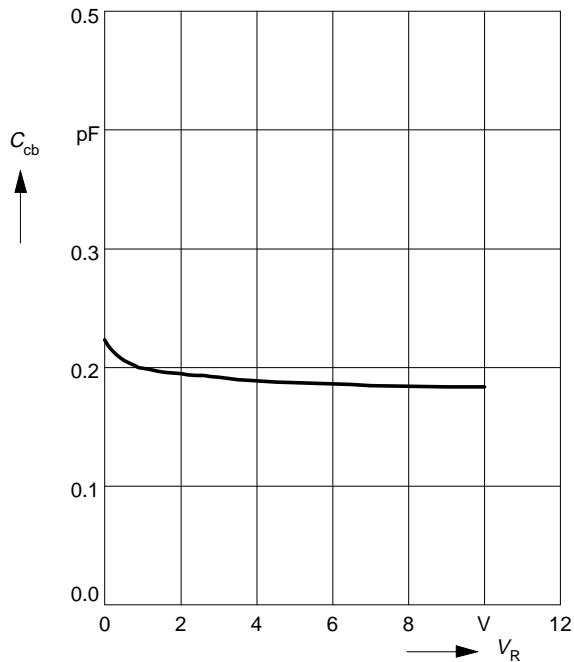


**Permissible Pulse Load**  $P_{totmax}/P_{totDC} = f(t_p)$



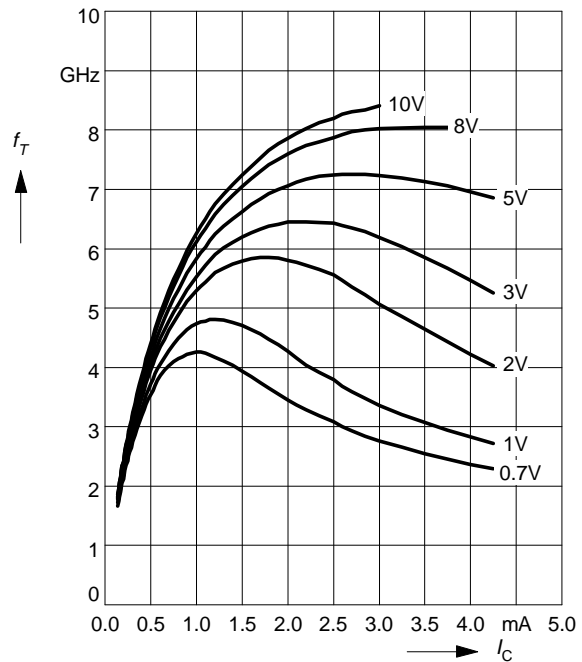
### Collector-base capacitance $C_{cb} = f(V_{CB})$

$V_{BE} = v_{be} = 0, f = 1\text{MHz}$



### Transition frequency $f_T = f(I_C)$

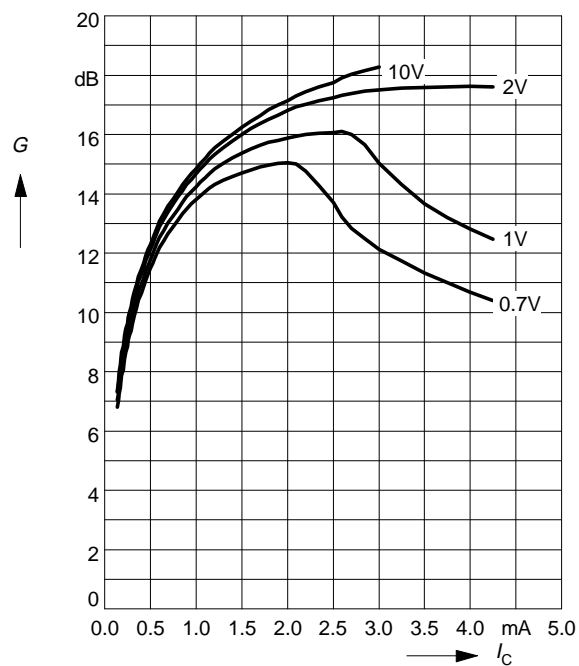
$V_{CE} = \text{Parameter}$



### Power Gain $G_{ma}, G_{ms} = f(I_C)$

$f = 0.9\text{GHz}$

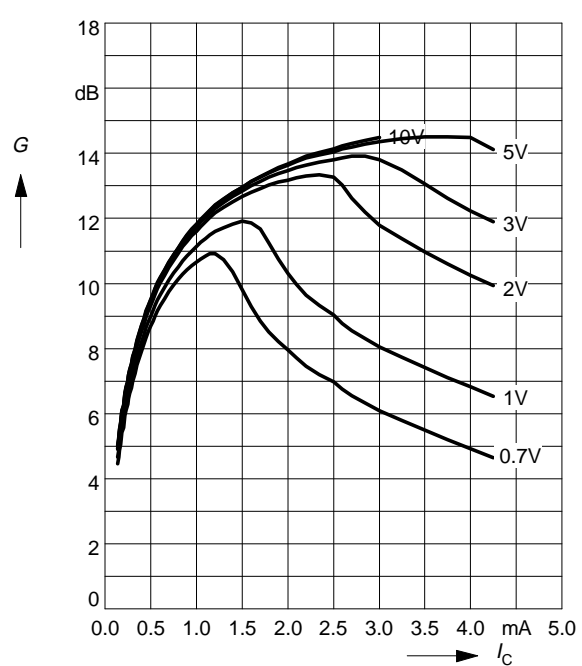
$V_{CE} = \text{Parameter}$



### Power Gain $G_{ma}, G_{ms} = f(I_C)$

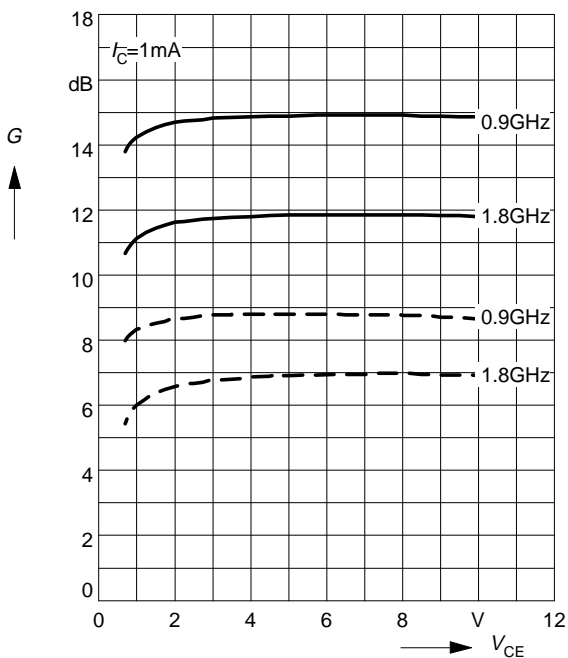
$f = 1.8\text{GHz}$

$V_{CE} = \text{Parameter}$



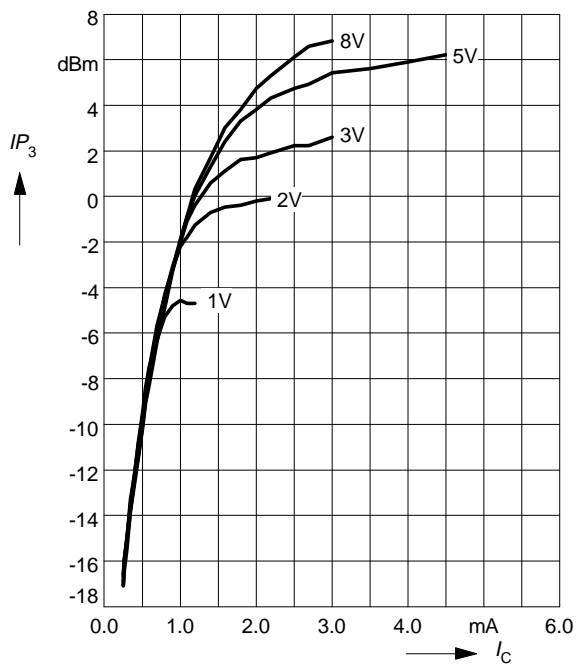
**Power Gain**  $G_{ma}, G_{ms} = f(V_{CE})$ : \_\_\_\_\_  
 $|S_{21}|^2 = f(V_{CE})$ : - - - - -

$f =$  Parameter



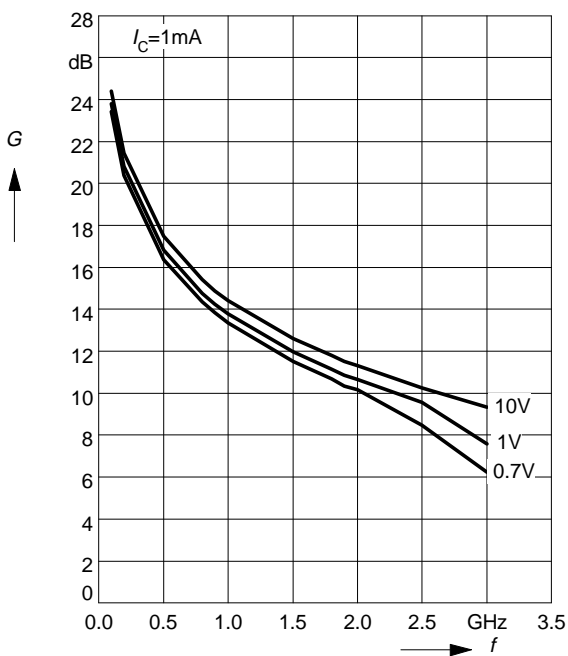
**Intermodulation Intercept Point**  $IP_3 = f(I_C)$   
 (3rd order, Output,  $Z_S = Z_L = 50\Omega$ )

$V_{CE} =$  Parameter,  $f = 900\text{MHz}$



**Power Gain**  $G_{ma}, G_{ms} = f(f)$

$V_{CE} =$  Parameter



**Power Gain**  $|S_{21}|^2 = f(f)$

$V_{CE} =$  Parameter

