

## Silicon PNP Power Transistors

## 2SA968 2SA968A 2SA968B

## DESCRIPTION

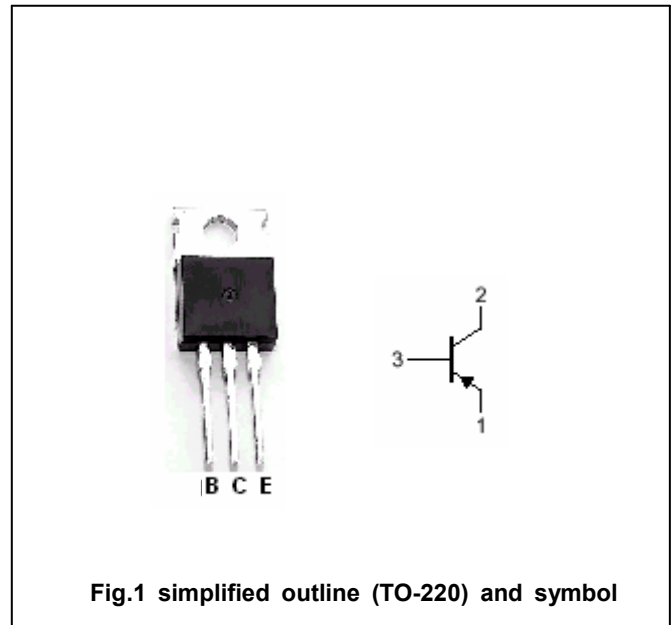
- With TO-220 package
- Complement to type 2SC2238
- High breakdown voltage

## APPLICATIONS

- Power amplifier applications
- Driver stage amplifier applications

## PINNING

PIN	DESCRIPTION
1	Emitter
2	Collector;connected to mounting base
3	Base

Absolute maximum ratings( $T_a=25^\circ\text{C}$ )

SYMBOL	PARAMETER	CONDITIONS	VALUE	UNIT
$V_{CBO}$	Collector-base voltage	2SA968	-160	V
		2SA968A	-180	
		2SA968B	-200	
$V_{CEO}$	Collector-emitter voltage	2SA968	-160	V
		2SA968A	-180	
		2SA968B	-200	
$V_{EBO}$	Emitter-base voltage	Open collector	-5	V
$I_C$	Collector current		-1.5	A
$I_E$	Emitter current		1.5	A
$P_T$	Total power dissipation	$T_C=25^\circ\text{C}$	25	W
$T_j$	Junction temperature		150	$^\circ\text{C}$
$T_{stg}$	Storage temperature		-55~150	$^\circ\text{C}$

## Silicon PNP Power Transistors

## 2SA968 2SA968A 2SA968B

## CHARACTERISTICS

T<sub>j</sub>=25°C unless otherwise specified

SYMBOL	PARAMETER	CONDITIONS	MIN	TYP.	MAX	UNIT
V <sub>(BR)CEO</sub>	Collector-emitter breakdown voltage	2SA968	-160			V
		2SA968A	-180			
		2SA968B	-200			
V <sub>(BR)EBO</sub>	Emitter-base breakdown voltage	I <sub>E</sub> =-1mA; I <sub>C</sub> =0	-5			V
V <sub>CEsat</sub>	Collector-emitter saturation voltage	I <sub>C</sub> =-0.5A; I <sub>B</sub> =-50mA			-1.5	V
V <sub>BE</sub>	Base-emitter on voltage	I <sub>C</sub> =-500mA; V <sub>CE</sub> =-5V			-1.0	V
I <sub>CBO</sub>	Collector cut-off current	V <sub>CB</sub> =-160V; I <sub>E</sub> =0			-1.0	μA
I <sub>EBO</sub>	Emitter cut-off current	V <sub>EB</sub> =-5V; I <sub>C</sub> =0			-1.0	μA
h <sub>FE</sub>	DC current gain	I <sub>C</sub> =-100mA; V <sub>CE</sub> =-5V	70		240	
C <sub>ob</sub>	Output capacitance	I <sub>E</sub> =0; V <sub>CB</sub> =-10V, f=1MHz		30		pF
f <sub>T</sub>	Transition frequency	I <sub>C</sub> =-100mA; V <sub>CE</sub> =10V		100		MHz

◆ h<sub>FE</sub> Classifications

O	Y
70-140	120-240

Silicon PNP Power Transistors

2SA968 2SA968A 2SA968B

PACKAGE OUTLINE

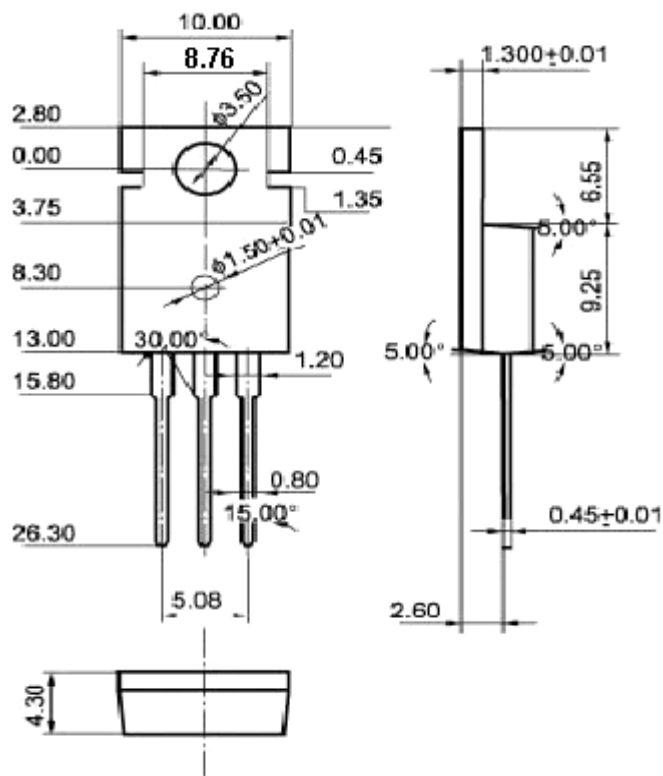


Fig.2 Outline dimensions(unindicated tolerance:±0.10 mm)