

Features

- Central office quality DTMF transmitter/receiver
- Low power consumption
- High speed Intel micro interface
- Adjustable guard time
- Automatic tone burst mode
- Call progress tone detection to -30dBm

Applications

- Credit card systems
- Paging systems
- Repeater systems/mobile radio
- Interconnect dialers
- Personal computers

Description

The MT8888C is a monolithic DTMF transceiver with call progress filter. It is fabricated in CMOS technology offering low power consumption and high reliability.

DS5432

ISSUE 8

April 2002

| Ordering Information | |
|-----------------------|--------------------|
| MT8888CE | 20 Pin Plastic DIP |
| MT8888CS | 20 Pin SOIC |
| MT8888CN | 24 Pin SSOP |
| -40°C to +85°C | |

The receiver section is based upon the industry standard MT8870 DTMF receiver while the transmitter utilizes a switched capacitor D/A converter for low distortion, high accuracy DTMF signalling. Internal counters provide a burst mode such that tone bursts can be transmitted with precise timing. A call progress filter can be selected allowing a microprocessor to analyze call progress tones.

The MT8888C utilizes an Intel micro interface, which allows the device to be connected to a number of popular microcontrollers with minimal external logic.

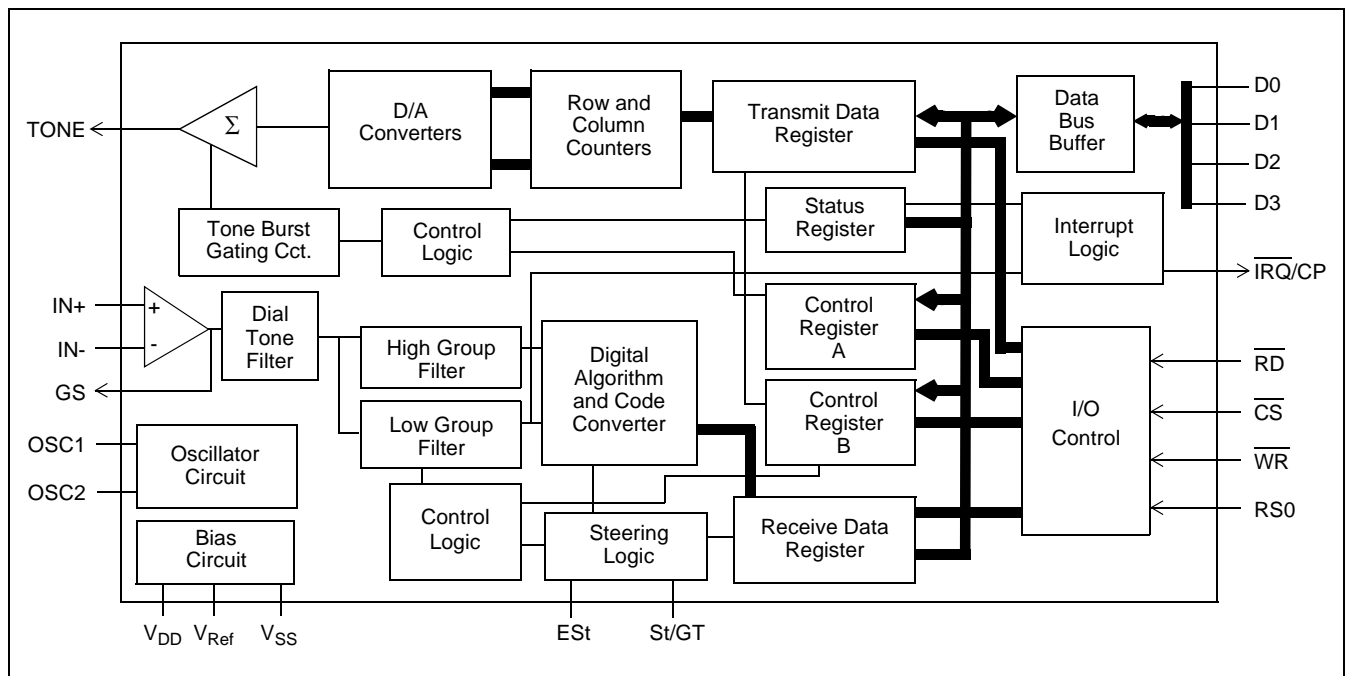


Figure 1 - Functional Block Diagram

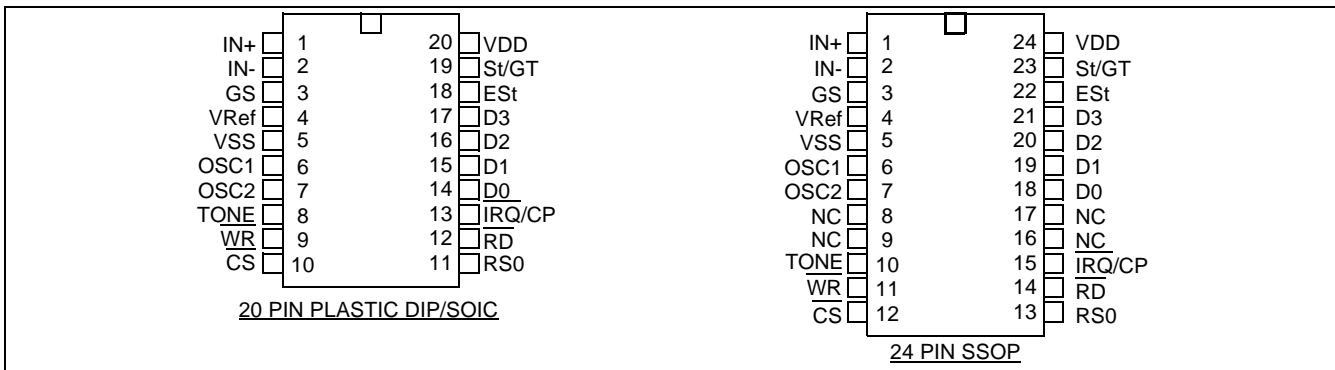


Figure 2 - Pin Connections

Pin Description

| Pin # | | Name | Description |
|-------|--------------|------------------|---|
| 20 | 24 | | |
| 1 | 1 | IN+ | Non-inverting op-amp input. |
| 2 | 2 | IN- | Inverting op-amp input. |
| 3 | 3 | GS | Gain Select. Gives access to output of front end differential amplifier for connection of feedback resistor. |
| 4 | 4 | V _{Ref} | Reference Voltage output ($V_{DD}/2$). |
| 5 | 5 | V _{SS} | Ground (0V). |
| 6 | 6 | OSC1 | DTMF clock/oscillator input. Connect a 4.7M Ω resistor to VSS if crystal oscillator is used. |
| 7 | 7 | OSC2 | Oscillator output. A 3.579545 MHz crystal connected between OSC1 and OSC2 completes the internal oscillator circuit. Leave open circuit when OSC1 is driven externally. |
| 8 | 10 | TONE | Output from internal DTMF transmitter. |
| 9 | 11 | WR | Write microprocessor input. TTL compatible. |
| 10 | 12 | CS | Chip Select input. Active Low. This signal must be qualified externally by address latch enable (ALE) signal, see Figure 12. |
| 11 | 13 | RS0 | Register Select input. Refer to Table 3 for bit interpretation. TTL compatible. |
| 12 | 14 | RD | Read microprocessor input. TTL compatible. |
| 13 | 15 | IRQ/CP | Interrupt Request/Call Progress (open drain) output. In interrupt mode, this output goes low when a valid DTMF tone burst has been transmitted or received. In call progress mode, this pin will output a rectangular signal representative of the input signal applied at the input op-amp. The input signal must be within the bandwidth limits of the call progress filter, see Figure 8. |
| 14-17 | 18-21 | D0-D3 | Microprocessor Data Bus. High impedance when $\overline{CS} = 1$ or $\overline{RD} = 1$. TTL compatible. |
| 18 | 22 | ESt | Early Steering output. Presents a logic high once the digital algorithm has detected a valid tone pair (signal condition). Any momentary loss of signal condition will cause ESt to return to a logic low. |
| 19 | 23 | St/GT | Steering Input/Guard Time output (bidirectional). A voltage greater than V_{TSt} detected at St causes the device to register the detected tone pair and update the output latch. A voltage less than V_{TSt} frees the device to accept a new tone pair. The GT output acts to reset the external steering time-constant; its state is a function of ESt and the voltage on St. |
| 20 | 24 | V _{DD} | Positive power supply (5V typical). |
| | 8, 9, 16, 17 | NC | No Connection. |

Functional Description

The MT8888C Integrated DTMF Transceiver consists of a high performance DTMF receiver with an internal gain setting amplifier and a DTMF generator which employs a burst counter to synthesize precise tone bursts and pauses. A call progress mode can be selected so that frequencies within the specified passband can be detected. The Intel micro interface allows microcontrollers, such as the 8080, 80C31/51 and 8085, to access the MT8888C internal registers.

Input Configuration

The input arrangement of the MT8888C provides a differential-input operational amplifier as well as a bias source (V_{Ref}), which is used to bias the inputs at $V_{DD}/2$. Provision is made for connection of a feedback resistor to the op-amp output (GS) for gain adjustment. In a single-ended configuration, the input pins are connected as shown in Figure 3.

Figure 4 shows the necessary connections for a differential input configuration.

Receiver Section

Separation of the low and high group tones is achieved by applying the DTMF signal to the inputs of two sixth-order switched capacitor bandpass filters, the bandwidths of which correspond to the low and high group frequencies (see Table 1). These filters incorporate notches at 350 Hz and 440 Hz for exceptional dial tone rejection. Each filter output is followed by a single order switched capacitor filter section, which smooths the signals prior to limiting. Limiting is performed by high-gain comparators which are provided with hysteresis to prevent detection of unwanted low-level signals. The outputs of the comparators provide full rail logic swings at the frequencies of the incoming DTMF signals.

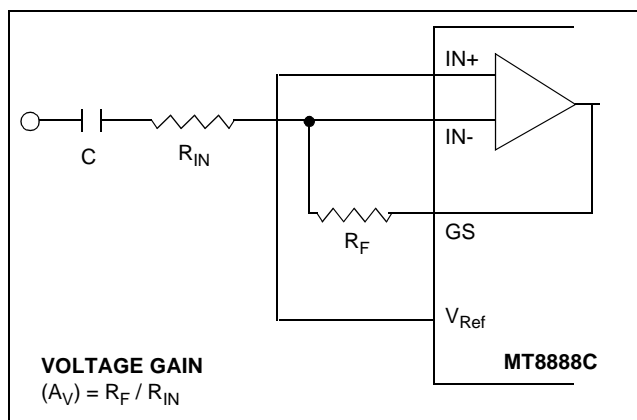


Figure 3 - Single-Ended Input Configuration

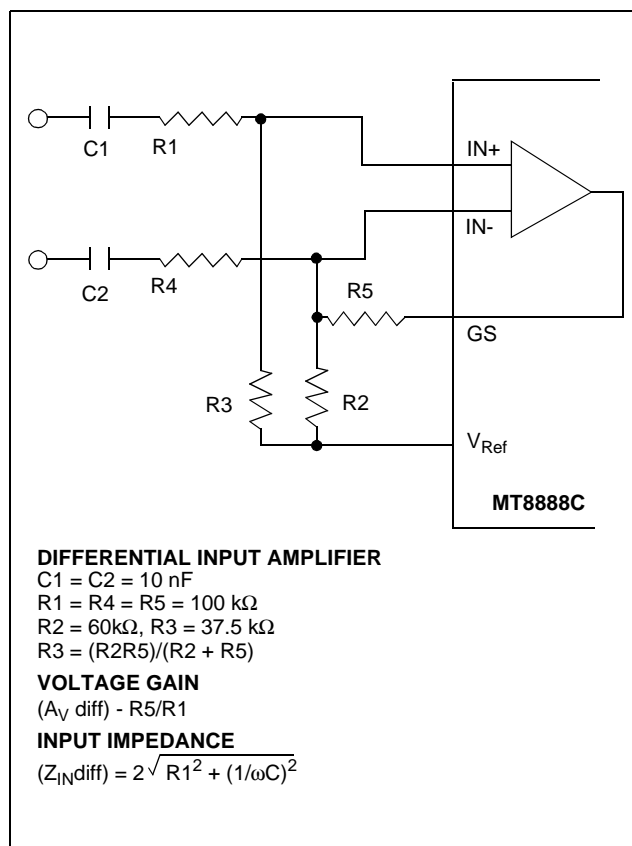


Figure 4 - Differential Input Configuration

| F _{LOW} | F _{HIGH} | DIGIT | D ₃ | D ₂ | D ₁ | D ₀ |
|------------------|-------------------|-------|----------------|----------------|----------------|----------------|
| 697 | 1209 | 1 | 0 | 0 | 0 | 1 |
| 697 | 1336 | 2 | 0 | 0 | 1 | 0 |
| 697 | 1477 | 3 | 0 | 0 | 1 | 1 |
| 770 | 1209 | 4 | 0 | 1 | 0 | 0 |
| 770 | 1336 | 5 | 0 | 1 | 0 | 1 |
| 770 | 1477 | 6 | 0 | 1 | 1 | 0 |
| 852 | 1209 | 7 | 0 | 1 | 1 | 1 |
| 852 | 1336 | 8 | 1 | 0 | 0 | 0 |
| 852 | 1477 | 9 | 1 | 0 | 0 | 1 |
| 941 | 1336 | 0 | 1 | 0 | 1 | 0 |
| 941 | 1209 | * | 1 | 0 | 1 | 1 |
| 941 | 1477 | # | 1 | 1 | 0 | 0 |
| 697 | 1633 | A | 1 | 1 | 0 | 1 |
| 770 | 1633 | B | 1 | 1 | 1 | 0 |
| 852 | 1633 | C | 1 | 1 | 1 | 1 |
| 941 | 1633 | D | 0 | 0 | 0 | 0 |

0= LOGIC LOW, 1= LOGIC HIGH

Table 1. Functional Encode/Decode Table

Following the filter section is a decoder employing digital counting techniques to determine the frequencies of the incoming tones and to verify that they correspond to standard DTMF frequencies. A complex averaging algorithm protects against tone simulation by extraneous signals such as voice while providing tolerance to small frequency deviations and variations. This averaging algorithm has been developed to ensure an optimum combination of immunity to talk-off and tolerance to the presence of interfering frequencies (third tones) and noise. When the detector recognizes the presence of two valid tones (this is referred to as the “signal condition” in some industry specifications) the “Early Steering” (ESt) output will go to an active state. Any subsequent loss of signal condition will cause ESt to assume an inactive state.

Steering Circuit

Before registration of a decoded tone pair, the receiver checks for a valid signal duration (referred to as character recognition condition). This check is performed by an external RC time constant driven by ESt. A logic high on ESt causes v_c (see Figure 5) to rise as the capacitor discharges. Provided that the signal condition is maintained (ESt remains high) for the validation period (t_{GTP}), v_c reaches the threshold (V_{TSI}) of the steering logic to register the tone pair, latching its corresponding 4-bit code (see Table 1) into the Receive Data Register. At this point the GT output is activated and drives v_c to V_{DD} . GT continues to drive high as long as ESt remains high. Finally, after a short delay to allow the output latch to settle, the delayed steering output flag goes high, signalling that a received tone pair has been registered. The status of the delayed steering flag can be monitored by checking the appropriate bit in the status register. If Interrupt mode has been selected, the IRQ/CP pin will pull low when the delayed steering flag is active.

The contents of the output latch are updated on an active delayed steering transition. This data is presented to the four bit bidirectional data bus when the Receive Data Register is read. The steering circuit works in reverse to validate the interdigit pause between signals. Thus, as well as rejecting signals too short to be considered valid, the receiver will tolerate signal interruptions (drop out) too short to be considered a valid pause. This facility, together with the capability of selecting the steering time constants externally, allows the designer to tailor performance to meet a wide variety of system requirements.

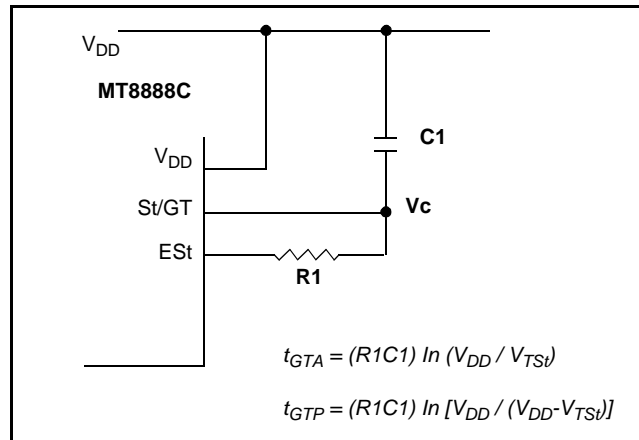


Figure 5 - Basic Steering Circuit

Guard Time Adjustment

The simple steering circuit shown in Figure 5 is adequate for most applications. Component values are chosen according to the following inequalities (see Figure 7):

$$t_{REC} \geq t_{DPmax} + t_{GTPmax} - t_{DAmin}$$

$$\overline{t_{REC}} \leq t_{DPmin} + t_{GTPmin} - t_{DAmax}$$

$$t_{ID} \geq t_{DAmax} + t_{GTmax} - t_{DPmin}$$

$$t_{DO} \leq t_{DAmin} + t_{GTmin} - t_{DPmax}$$

The value of t_{DP} is a device parameter (see AC Electrical Characteristics) and t_{REC} is the minimum signal duration to be recognized by the receiver. A value for C1 of 0.1 μF is recommended for most

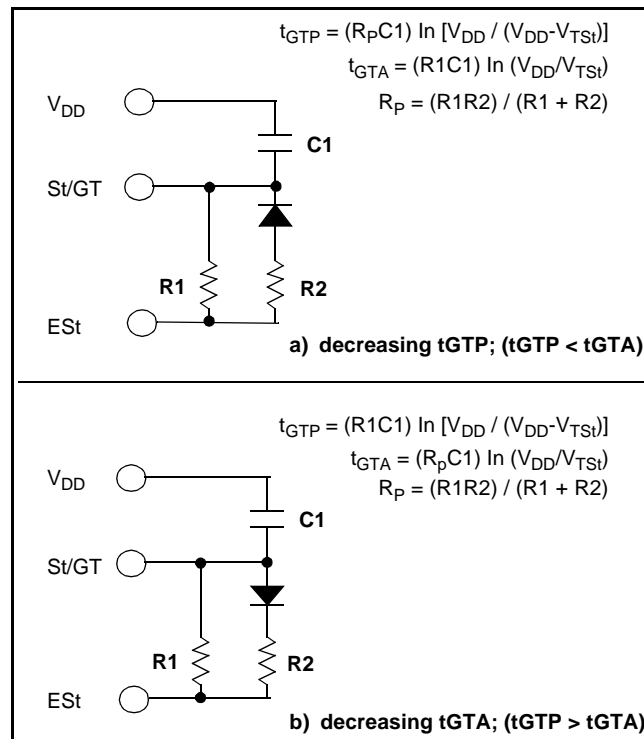


Figure 6 - Guard Time Adjustment

applications, leaving R1 to be selected by the designer. Different steering arrangements may be used to select independent tone present (t_{GTP}) and tone absent (t_{GTA}) guard times. This may be necessary to meet system specifications which place both accept and reject limits on tone duration and interdigital pause. Guard time adjustment also allows the designer to tailor system parameters such as talk off and noise immunity.

Increasing t_{REC} improves talk-off performance since it reduces the probability that tones simulated by speech will maintain a valid signal condition long enough to be registered. Alternatively, a relatively short t_{REC} with a long t_{DO} would be appropriate for extremely noisy environments where fast acquisition time and immunity to tone drop-outs are required. Design information for guard time adjustment is shown in Figure 6. The receiver timing is shown in Figure 7 with a description of the events in Figure 9.

Call Progress Filter

A call progress mode, using the MT8888C, can be selected allowing the detection of various tones, which identify the progress of a telephone call on the network. The call progress tone input and DTMF input are common, however, call progress tones can only be detected when CP mode has been selected.

DTMF signals cannot be detected if CP mode has been selected (see Table 7). Figure 8 indicates the useful detect bandwidth of the call progress filter. Frequencies presented to the input, which are within the 'accept' bandwidth limits of the filter, are hard-limited by a high gain comparator with the IRQ/CP pin serving as the output. The squarewave output obtained from the schmitt trigger can be analyzed by a microprocessor or counter arrangement to determine the nature of the call progress tone being detected. Frequencies which are in the 'reject' area will not be detected and consequently the IRQ/CP pin will remain low.

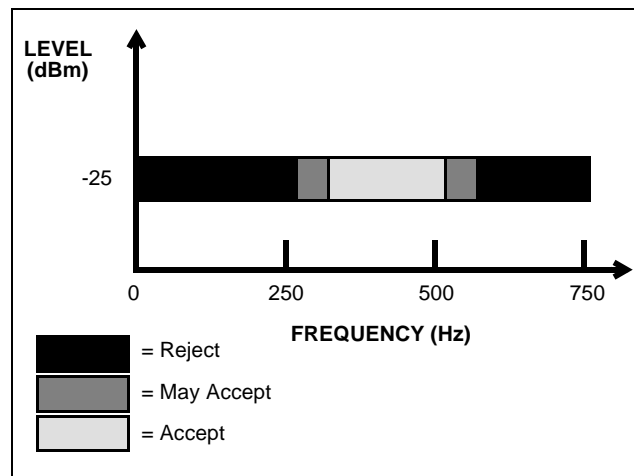


Figure 8 - Call Progress Response

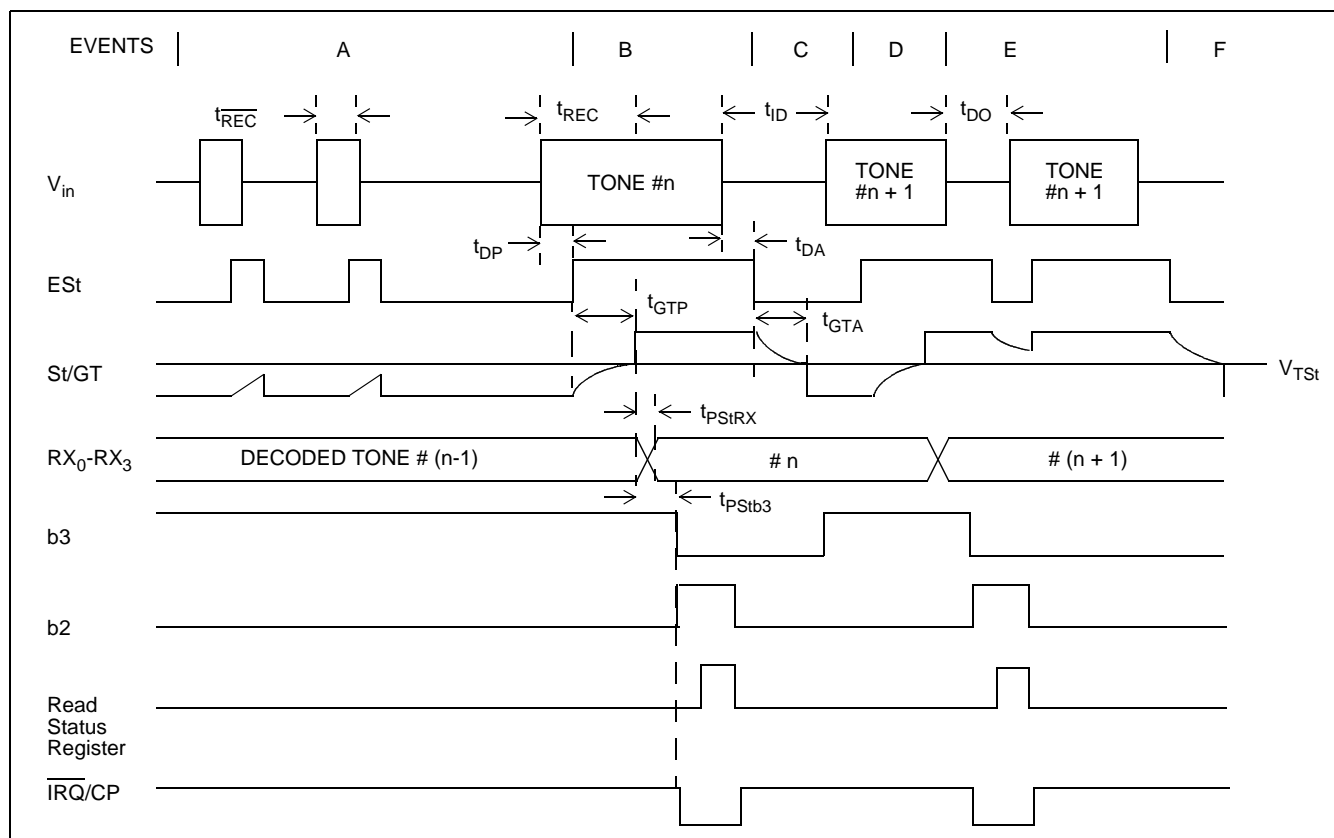


Figure 7 - Receiver Timing Diagram

| EXPLANATION OF EVENTS | |
|------------------------|---|
| A) | TONE BURSTS DETECTED, TONE DURATION INVALID, RX DATA REGISTER NOT UPDATED. |
| B) | TONE #n DETECTED, TONE DURATION VALID, TONE DECODED AND LATCHED IN RX DATA REGISTER. |
| C) | END OF TONE #n DETECTED, TONE ABSENT DURATION VALID, INFORMATION IN RX DATA REGISTER RETAINED UNTIL NEXT VALID TONE PAIR. |
| D) | TONE #n+1 DETECTED, TONE DURATION VALID, TONE DECODED AND LATCHED IN RX DATA REGISTER. |
| E) | ACCEPTABLE DROPOUT OF TONE #n+1, TONE ABSENT DURATION INVALID, DATA REMAINS UNCHANGED. |
| F) | END OF TONE #n+1 DETECTED, TONE ABSENT DURATION VALID, INFORMATION IN RX DATA REGISTER RETAINED UNTIL NEXT VALID TONE PAIR. |
| EXPLANATION OF SYMBOLS | |
| V_{in} | DTMF COMPOSITE INPUT SIGNAL. |
| Est | EARLY STEERING OUTPUT. INDICATES DETECTION OF VALID TONE FREQUENCIES. |
| St/GT | STEERING INPUT/GUARD TIME OUTPUT. DRIVES EXTERNAL RC TIMING CIRCUIT. |
| RX_0-RX_3 | 4-BIT DECODED DATA IN RECEIVE DATA REGISTER |
| b3 | DELAYED STEERING. INDICATES THAT VALID FREQUENCIES HAVE BEEN PRESENT/ABSENT FOR THE REQUIRED GUARD TIME THUS CONSTITUTING A VALID SIGNAL. ACTIVE LOW FOR THE DURATION OF A VALID DTMF SIGNAL. |
| b2 | INDICATES THAT VALID DATA IS IN THE RECEIVE DATA REGISTER. THE BIT IS CLEARED AFTER THE STATUS REGISTER IS READ. |
| IRQ/CP | INTERRUPT IS ACTIVE INDICATING THAT NEW DATA IS IN THE RX DATA REGISTER. THE INTERRUPT IS CLEARED AFTER THE STATUS REGISTER IS READ. |
| t_{REC} | MAXIMUM DTMF SIGNAL DURATION NOT DETECTED AS VALID. |
| $\overline{t_{REC}}$ | MINIMUM DTMF SIGNAL DURATION REQUIRED FOR VALID RECOGNITION. |
| t_{ID} | MINIMUM TIME BETWEEN VALID SEQUENTIAL DTMF SIGNALS. |
| t_{DO} | MAXIMUM ALLOWABLE DROPOUT DURING VALID DTMF SIGNAL. |
| t_{DP} | TIME TO DETECT VALID FREQUENCIES PRESENT. |
| t_{DA} | TIME TO DETECT VALID FREQUENCIES ABSENT. |
| t_{GTP} | GUARD TIME, TONE PRESENT. |
| t_{GTA} | GUARD TIME, TONE ABSENT. |

Figure 9 - Description of Timing Events

DTMF Generator

The DTMF transmitter employed in the MT8888C is capable of generating all sixteen standard DTMF tone pairs with low distortion and high accuracy. All frequencies are derived from an external 3.579545 MHz crystal. The sinusoidal waveforms for the individual tones are digitally synthesized using row and column programmable dividers and switched capacitor D/A converters. The row and column tones are mixed and filtered providing a DTMF signal with low total harmonic distortion and high accuracy. To specify a DTMF signal, data conforming to the encoding format shown in Table 1 must be written to the transmit Data Register. Note that this is the same as the receiver output code. The individual tones which are generated (f_{LOW} and f_{HIGH}) are referred to as Low Group and High Group tones. As seen from the table, the low group frequencies are 697, 770, 852 and 941 Hz. The high group frequencies are 1209, 1336, 1477 and 1633 Hz. Typically, the high group to low group amplitude ratio (twist) is 2 dB to compensate for high group attenuation on long loops.

The period of each tone consists of 32 equal time segments. The period of a tone is controlled by varying the length of these time segments. During

write operations to the Transmit Data Register the 4 bit data on the bus is latched and converted to 2 of 8 coding for use by the programmable divider circuitry. This code is used to specify a time segment length, which will ultimately determine the frequency of the tone. When the divider reaches the appropriate count, as determined by the input code, a reset pulse is issued and the counter starts again. The number of time segments is fixed at 32, however, by varying the segment length as described above the frequency can also be varied. The divider output clocks another counter, which addresses the sinewave lookup ROM.

The lookup table contains codes which are used by the switched capacitor D/A converter to obtain discrete and highly accurate DC voltage levels. Two identical circuits are employed to produce row and column tones, which are then mixed using a low noise summing amplifier. The oscillator described needs no "start-up" time as in other DTMF generators since the crystal oscillator is running continuously thus providing a high degree of tone burst accuracy. A bandwidth limiting filter is incorporated and serves to attenuate distortion products above 8 kHz. It can be seen from Figure 8 that the distortion products are very low in amplitude.

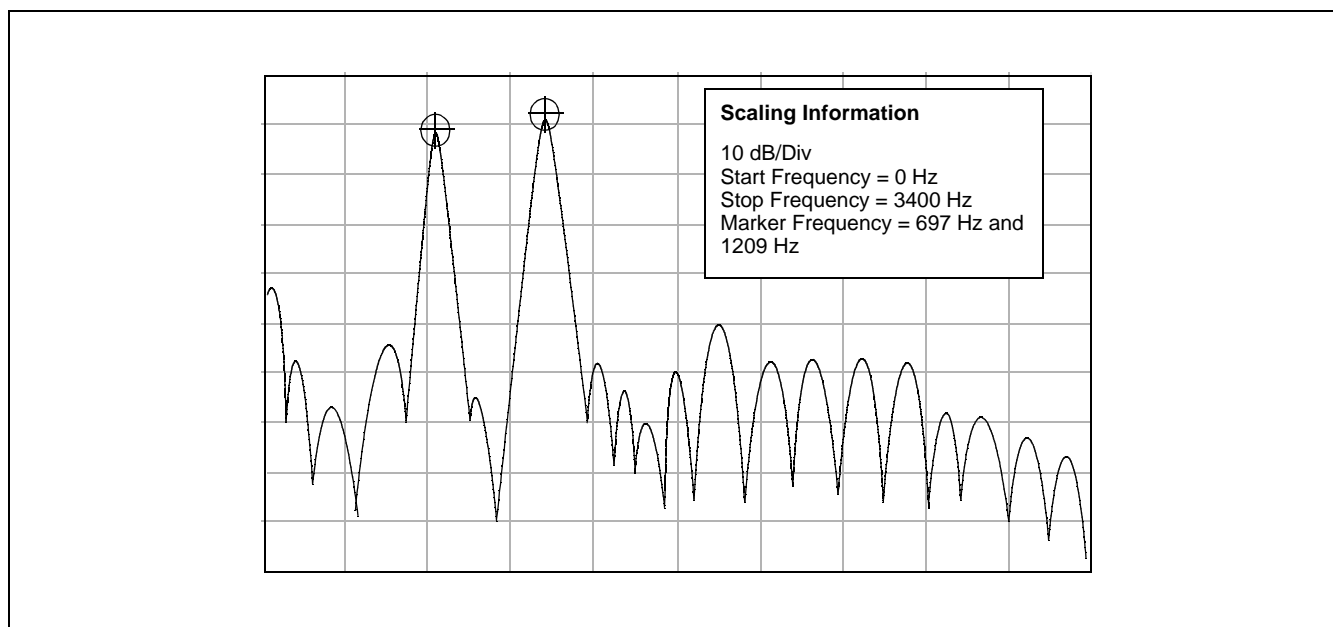


Figure 10 - Spectrum Plot

Burst Mode

In certain telephony applications it is required that DTMF signals being generated are of a specific duration determined either by the particular application or by any one of the exchange transmitter specifications currently existing. Standard DTMF signal timing can be accomplished by making use of the Burst Mode. The transmitter is capable of issuing symmetric bursts/pauses of predetermined duration. This burst/pause duration is 51 ms±1 ms, which is a standard interval for autodialer and central office applications. After the burst/pause has been issued, the appropriate bit is set in the Status Register indicating that the transmitter is ready for more data. The timing described above is available when DTMF mode has been selected. However, when CP mode (Call Progress mode) is selected, the burst/pause duration is doubled to 102 ms ±2 ms. Note that when CP mode and Burst mode have been selected, DTMF tones may be transmitted only and *not* received. In applications where a non-standard burst/pause time is desirable, a software timing loop or external timer can be used to provide the timing pulses when the burst mode is disabled by enabling and disabling the transmitter.

Single Tone Generation

A single tone mode is available whereby individual tones from the low group or high group can be generated. This mode can be used for DTMF test equipment applications, acknowledgment tone generation and distortion measurements. Refer to Control Register B description for details.

| ACTIVE INPUT | OUTPUT FREQUENCY (Hz) | | %ERROR |
|--------------|-----------------------|--------|--------|
| | SPECIFIED | ACTUAL | |
| L1 | 697 | 699.1 | +0.30 |
| L2 | 770 | 766.2 | -0.49 |
| L3 | 852 | 847.4 | -0.54 |
| L4 | 941 | 948.0 | +0.74 |
| H1 | 1209 | 1215.9 | +0.57 |
| H2 | 1336 | 1331.7 | -0.32 |
| H3 | 1477 | 1471.9 | -0.35 |
| H4 | 1633 | 1645.0 | +0.73 |

Table 2. Actual Frequencies Versus Standard Requirements

Distortion Calculations

The MT8888C is capable of producing precise tone bursts with minimal error in frequency (see Table 2). The internal summing amplifier is followed by a first-order lowpass switched capacitor filter to minimize harmonic components and intermodulation products. The total harmonic distortion for a *single tone* can be calculated using Equation 1, which is the ratio of the total power of all the extraneous frequencies to the power of the fundamental frequency expressed as a percentage.

$$THD (\%) = 100 \frac{\left(\sqrt{V_{2f}^2 + V_{3f}^2 + V_{4f}^2 + \dots + V_{nf}^2} \right)}{V_{\text{fundamental}}}$$

Equation 1. THD (%) For a Single Tone

The Fourier components of the tone output correspond to $V_{2f} \dots V_{nf}$ as measured on the output waveform. The total harmonic distortion for a *dual tone* can be calculated using Equation 2. V_L and V_H correspond to the low group amplitude and high group amplitude, respectively and V_{IMD}^2 is the sum of all the intermodulation components. The internal switched-capacitor filter following the D/A converter keeps distortion products down to a very low level as shown in Figure 10.

$$THD (\%) = 100 \frac{\sqrt{V_{2L}^2 + V_{3L}^2 + \dots + V_{nL}^2 + V_{2H}^2 + V_{3H}^2 + \dots + V_{nH}^2 + V_{IMD}^2}}{\sqrt{V_L^2 + V_H^2}}$$

Equation 2. THD (%) For a Dual Tone

DTMF Clock Circuit

The internal clock circuit is completed with the addition of a standard television colour burst crystal. The crystal specification is as follows:

- Frequency: 3.579545 MHz
- Frequency Tolerance: $\pm 0.1\%$
- Resonance Mode: Parallel
- Load Capacitance: 18pF
- Maximum Series Resistance: 150 ohms
- Maximum Drive Level: 2mW

e.g. CTS Knights MP036S
Toyocom TQC-203-A-9S

A number of MT8888C devices can be connected as shown in Figure 11 such that only one crystal is required. Alternatively, the OSC1 inputs on all devices can be driven from a TTL buffer with the OSC2 outputs left unconnected.

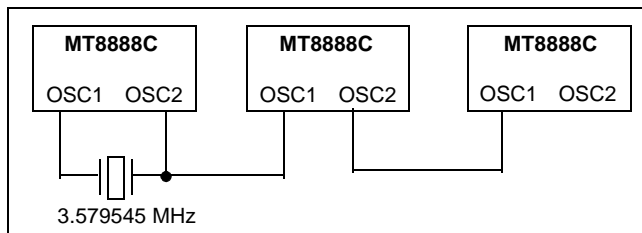


Figure 11 - Common Crystal Connection

Microprocessor Interface

The MT8888C incorporates an Intel microprocessor interface which is compatible with fast versions (16 MHz) of the 80C51. No wait cycles need to be inserted.

Figures 17 and 18 are the timing diagrams for the Intel 8031, 8051 and 8085 (5 MHz) microcontrollers. By NANDing the address latch enable (ALE) output with the high-byte address (P2) decode output, \overline{CS} is generated. Figure 12 summarizes the connection of these Intel processors to the MT8888C transceiver.

The microprocessor interface provides access to five internal registers. The read-only Receive Data Register contains the decoded output of the last valid DTMF digit received. Data entered into the write-only Transmit Data Register will determine which tone pair is to be generated (see Table 1 for coding details). Transceiver control is accomplished with two control registers (see Tables 6 and 7), CRA and CRB, which have the same address. A write operation to CRB is executed by first setting the most significant bit (b3) in CRA. The following write operation to the same address will then be directed to CRB, and subsequent write cycles will be directed back to CRA. The read-only status register indicates the current transceiver state (see Table 8).

A software reset must be included at the beginning of all programs to initialize the control registers upon power-up or power reset (see Figure 17). Refer to Tables 4-7 for bit descriptions of the two control registers.

The multiplexed $\overline{IRQ/CP}$ pin can be programmed to generate an interrupt upon validation of DTMF signals or when the transmitter is ready for more data (burst mode only). Alternatively, this pin can be configured to provide a squarewave output of the call progress signal. The $\overline{IRQ/CP}$ pin is an open drain output and requires an external pull-up resistor (see Figure 13).

| RS0 | \overline{WR} | \overline{RD} | FUNCTION |
|-----|-----------------|-----------------|---------------------------------|
| 0 | 0 | 1 | Write to Transmit Data Register |
| 0 | 1 | 0 | Read from Receive Data Register |
| 1 | 0 | 1 | Write to Control Register |
| 1 | 1 | 0 | Read from Status Register |

Table 3. Internal Register Functions

| b3 | b2 | b1 | b0 |
|------|-----|---------|------|
| RSEL | IRQ | CP/DTMF | TOUT |

Table 4. CRA Bit Positions

| b3 | b2 | b1 | b0 |
|-----|-----|------|---------------------|
| C/R | S/D | TEST | <u>BURST ENABLE</u> |

Table 5. CRB Bit Positions

| BIT | NAME | DESCRIPTION |
|-----|---------|---|
| b0 | TOUT | Tone Output Control. A logic high enables the tone output; a logic low turns the tone output off. This bit controls all transmit tone functions. |
| b1 | CP/DTMF | Call Progress or DTMF Mode Select. A logic high enables the receive call progress mode; a logic low enables DTMF mode. In DTMF mode the device is capable of receiving and transmitting DTMF signals. In CP mode a rectangular wave representation of the received tone signal will be present on the $\overline{\text{IRQ/CP}}$ output pin if IRQ has been enabled (control register A, b2=1). In order to be detected, CP signals must be within the bandwidth specified in the AC Electrical Characteristics for Call Progress. Note: DTMF signals cannot be detected when CP mode is selected. |
| b2 | IRQ | Interrupt Enable. A logic high enables the interrupt function; a logic low de-activates the interrupt function. When IRQ is enabled and DTMF mode is selected (control register A, b1=0), the $\overline{\text{IRQ/CP}}$ output pin will go low when either 1) a valid DTMF signal has been received for a valid guard time duration, or 2) the transmitter is ready for more data (burst mode only). |
| b3 | RSEL | Register Select. A logic high selects control register B for the next write cycle to the control register address. After writing to control register B, the following control register write cycle will be directed to control register A. |

Table 6. Control Register A Description

| BIT | NAME | DESCRIPTION |
|-----|---------------------------|--|
| b0 | $\overline{\text{BURST}}$ | Burst Mode Select. A logic high de-activates burst mode; a logic low enables burst mode. When activated, the digital code representing a DTMF signal (see Table 1) can be written to the transmit register, which will result in a transmit DTMF tone burst and pause of equal durations (typically 51 msec). Following the pause, the status register will be updated (b1 - Transmit Data Register Empty), and an interrupt will occur if the interrupt mode has been enabled. When CP mode (control register A, b1) is enabled the normal tone burst and pause durations are extended from a typical duration of 51 msec to 102 msec. When $\overline{\text{BURST}}$ is high (de-activated) the transmit tone burst duration is determined by the TOUT bit (control register A, b0). |
| b1 | TEST | Test Mode Control. A logic high enables the test mode; a logic low de-activates the test mode. When TEST is enabled and DTMF mode is selected (control register A, b1=0), the signal present on the $\overline{\text{IRQ/CP}}$ pin will be analogous to the state of the DELAYED STEERING bit of the status register (see Figure 7, signal b3). |
| b2 | $\overline{\text{S/D}}$ | Single or Dual Tone Generation. A logic high selects the single tone output; a logic low selects the dual tone (DTMF) output. The single tone generation function requires further selection of either the row or column tones (low or high group) through the C/R bit (control register B, b3). |
| b3 | $\overline{\text{C/R}}$ | Column or Row Tone Select. A logic high selects a column tone output; a logic low selects a row tone output. This function is used in conjunction with the S/D bit (control register B, b2). |

Table 7. Control Register B Description

| BIT | NAME | STATUS FLAG SET | STATUS FLAG CLEARED |
|-----|--|--|--|
| b0 | IRQ | Interrupt has occurred. Bit one (b1) or bit two (b2) is set. | Interrupt is inactive. Cleared after Status Register is read. |
| b1 | TRANSMIT DATA REGISTER EMPTY (BURST MODE ONLY) | Pause duration has terminated and transmitter is ready for new data. | Cleared after Status Register is read or when in non-burst mode. |
| b2 | RECEIVE DATA REGISTER FULL | Valid data is in the Receive Data Register. | Cleared after Status Register is read. |
| b3 | DELAYED STEERING | Set upon the valid detection of the absence of a DTMF signal. | Cleared upon the detection of a valid DTMF signal. |

Table 8. Status Register Description

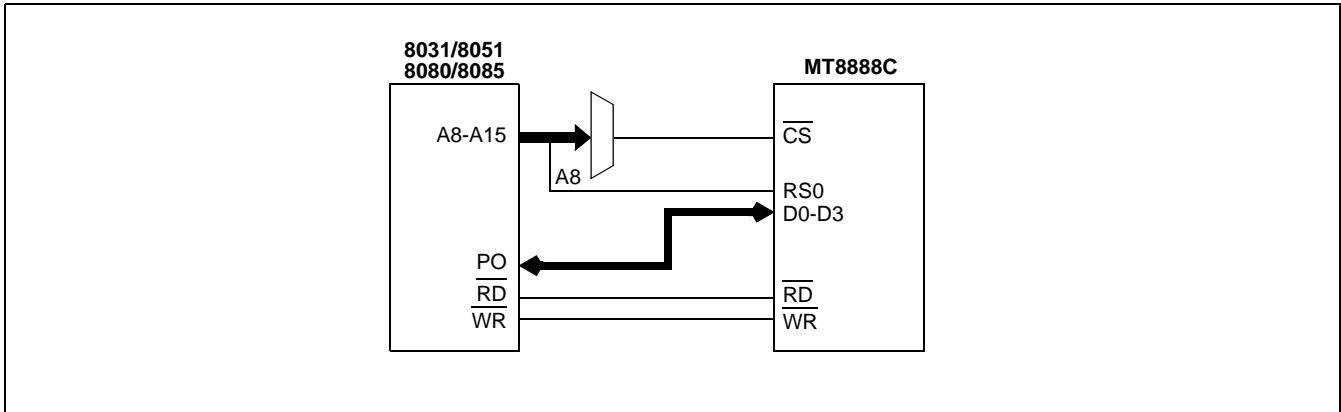


Figure 12 - MT8888C Interface Connections for Various Intel Micros

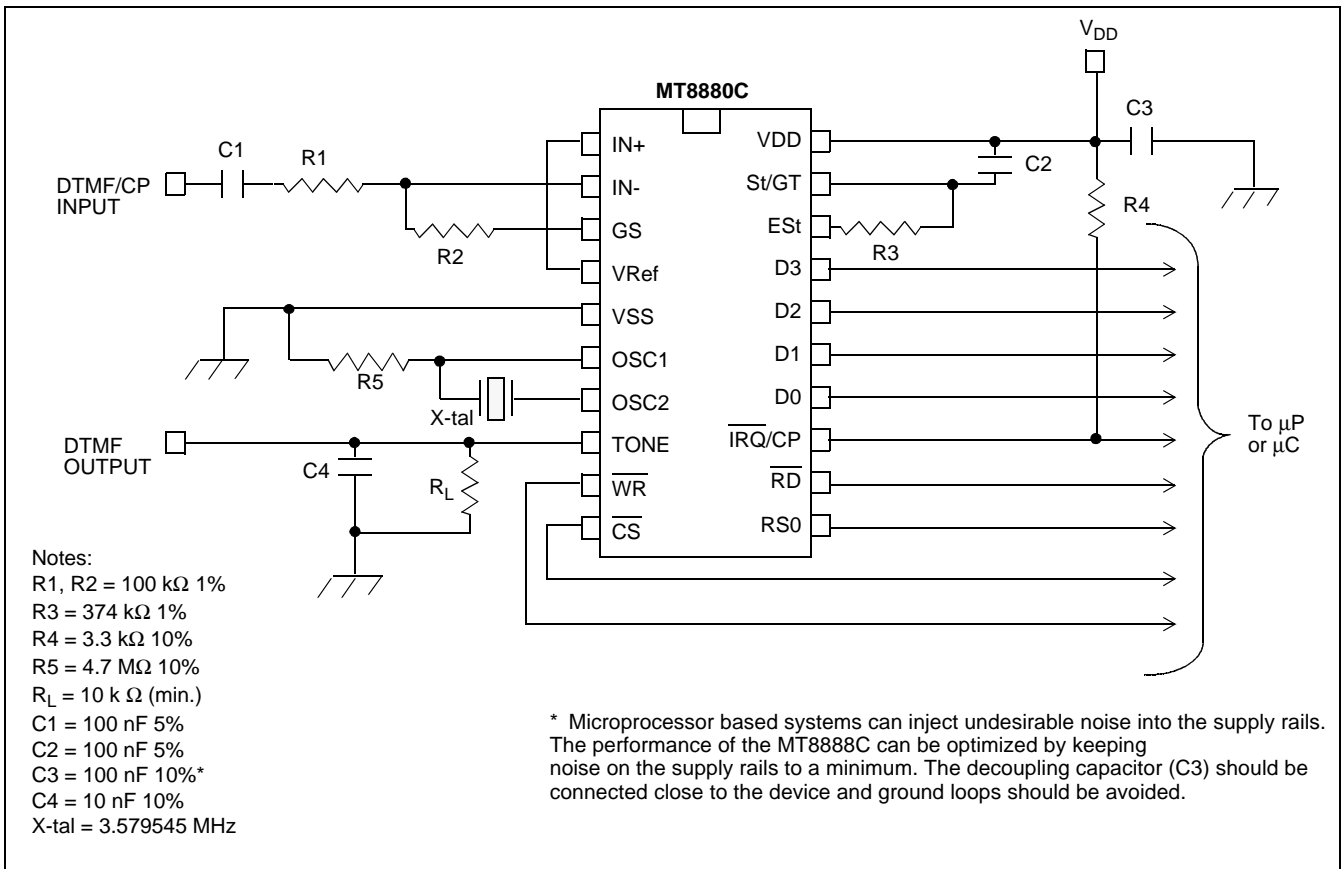


Figure 13 - Application Circuit (Single-Ended Input)

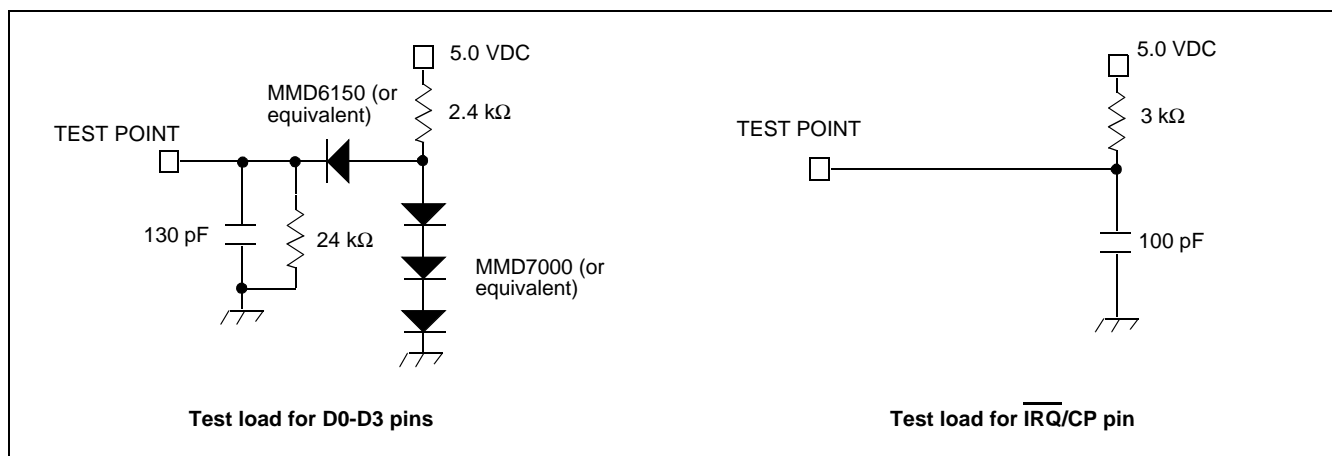


Figure 14 - Test Circuits

INITIALIZATION PROCEDURE

A software reset must be included at the beginning of all programs to initialize the control registers after power up. The initialization procedure should be implemented 100ms after power up.

Description:

| | Control | | | Data | | | |
|------------------------------|---------|----|----|------|----|----|----|
| | RS0 | WR | RD | b3 | b2 | b1 | b0 |
| 1) Read Status Register | 1 | 1 | 0 | X | X | X | X |
| 2) Write to Control Register | 1 | 0 | 1 | 0 | 0 | 0 | 0 |
| 3) Write to Control Register | 1 | 0 | 1 | 0 | 0 | 0 | 0 |
| 4) Write to Control Register | 1 | 0 | 1 | 1 | 0 | 0 | 0 |
| 5) Write to Control Register | 1 | 0 | 1 | 0 | 0 | 0 | 0 |
| 6) Read Status Register | 1 | 1 | 0 | X | X | X | X |

TYPICAL CONTROL SEQUENCE FOR BURST MODE APPLICATIONS

Transmit DTMF tones of 50 ms burst/50 ms pause and Receive DTMF Tones.

Sequence:

| | RS0 | WR | RD | b3 | b2 | b1 | b0 |
|---|-----|----|----|----|----|----|----|
| 1) Write to Control Register A (tone out, DTMF, IRQ, Select Control Register B) | 1 | 0 | 1 | 1 | 1 | 0 | 1 |
| 2) Write to Control Register B (burst mode) | 1 | 0 | 1 | 0 | 0 | 0 | 0 |
| 3) Write to Transmit Data Register (send a digit 7) | 0 | 0 | 1 | 0 | 1 | 1 | 1 |
| 4) Wait for an interrupt or poll Status Register | | | | | | | |
| 5) Read the Status Register | 1 | 1 | 0 | X | X | X | X |
| -if bit 1 is set, the Tx is ready for the next tone, in which case... Write to Transmit Register (send a digit 5) | 0 | 0 | 1 | 0 | 1 | 0 | 1 |
| -if bit 2 is set, a DTMF tone has been received, in which case... Read the Receive Data Register | 0 | 1 | 0 | X | X | X | X |
| -if both bits are set... Read the Receive Data Register | 0 | 1 | 0 | X | X | X | X |
| Write to Transmit Data Register | 0 | 0 | 1 | 0 | 1 | 0 | 1 |

NOTE: IN THE TX BURST MODE, STATUS REGISTER BIT 1 WILL NOT BE SET UNTIL 100 ms (±2 ms) AFTER THE DATA IS WRITTEN TO THE TX DATA REGISTER. IN EXTENDED BURST MODE THIS TIME WILL BE DOUBLED TO 200 ms (± 4 ms).

Figure 15 - Application Notes

Absolute Maximum Ratings*

| | Parameter | Symbol | Min | Max | Units |
|---|--|----------|--------------|--------------|-------|
| 1 | Power supply voltage $V_{DD}-V_{SS}$ | V_{DD} | | 6 | V |
| 2 | Voltage on any pin | V_I | $V_{SS}-0.3$ | $V_{DD}+0.3$ | V |
| 3 | Current at any pin (Except V_{DD} and V_{SS}) | | | 10 | mA |
| 4 | Storage temperature | T_{ST} | -65 | +150 | °C |
| 5 | Package power dissipation | P_D | | 1000 | mW |

* Exceeding these values may cause permanent damage. Functional operation under these conditions is not implied.

Recommended Operating Conditions - Voltages are with respect to ground (V_{SS}) unless otherwise stated.

| | Parameter | Sym | Min | Typ [‡] | Max | Units | Test Conditions |
|---|-------------------------|-----------|----------|------------------|----------|-------|-----------------|
| 1 | Positive power supply | V_{DD} | 4.75 | 5.00 | 5.25 | V | |
| 2 | Operating temperature | T_O | -40 | | +85 | °C | |
| 3 | Crystal clock frequency | f_{CLK} | 3.575965 | 3.579545 | 3.583124 | MHz | |

‡ Typical figures are at 25 °C and for design aid only: not guaranteed and not subject to production testing.

DC Electrical Characteristics[†] - $V_{SS}=0$ V.

| | | Characteristics | Sym | Min | Typ [‡] | Max | Units | Test Conditions |
|----|---------------------------------|----------------------------------|-----------|------|------------------|------|-------|-----------------------------|
| 1 | S U P | Operating supply voltage | V_{DD} | 4.75 | 5.0 | 5.25 | V | |
| 2 | | Operating supply current | I_{DD} | | 7.0 | 11 | mA | |
| 3 | | Power consumption | P_C | | | 57.8 | mW | |
| 4 | I N P U T S | High level input voltage (OSC1) | V_{IHO} | 3.5 | | | V | Note 9* |
| 5 | | Low level input voltage (OSC1) | V_{ILO} | | | 1.5 | V | Note 9* |
| 6 | | Steering threshold voltage | V_{TSt} | 2.2 | 2.3 | 2.5 | V | $V_{DD}=5V$ |
| 7 | O U T P U T S | Low level output voltage (OSC2) | V_{OLO} | | | 0.1 | V | No load Note 9* |
| 8 | | High level output voltage (OSC2) | V_{OHO} | 4.9 | | | V | No load Note 9* |
| 9 | | Output leakage current (IRQ) | I_{OZ} | | 1 | 10 | μA | $V_{OH}=2.4$ V |
| 10 | | V_{Ref} output voltage | V_{Ref} | 2.4 | 2.5 | 2.6 | V | No load, $V_{DD}=5V$ |
| 11 | | V_{Ref} output resistance | R_{OR} | | 1.3 | | kΩ | |
| 12 | D i g i t a l | Low level input voltage | V_{IL} | | | 0.8 | V | |
| 13 | | High level input voltage | V_{IH} | 2.0 | | | V | |
| 14 | | Input leakage current | I_{IZ} | | | 10 | μA | $V_{IN}=V_{SS}$ to V_{DD} |
| 15 | Data Bus | Source current | I_{OH} | -1.4 | -6.6 | | mA | $V_{OH}=2.4V$ |
| 16 | | Sink current | I_{OL} | 2.0 | 4.0 | | mA | $V_{OL}=0.4V$ |
| 17 | ESt and St/Gt | Source current | I_{OH} | -0.5 | -3.0 | | mA | $V_{OH}=4.6V$ |
| 18 | | Sink current | I_{OL} | 2 | 4 | | mA | $V_{OL}=0.4V$ |
| 19 | IRQ/CP | Sink current | I_{OL} | 4 | 16 | | mA | $V_{OL}=0.4V$ |

† Characteristics are over recommended operating conditions unless otherwise stated.

‡ Typical figures are at 25 °C, $V_{DD}=5V$ and for design aid only: not guaranteed and not subject to production testing.

* See "Notes" following AC Electrical Characteristics Tables.

Electrical Characteristics

Gain Setting Amplifier - Voltages are with respect to ground (V_{SS}) unless otherwise stated, $V_{SS} = 0V$.

| | Characteristics | Sym | Min | Typ | Max | Units | Test Conditions |
|----|--------------------------------|-----------|-----|-----|--------------|-------|---|
| 1 | Input leakage current | I_{IN} | | | 100 | nA | $V_{SS} \leq V_{IN} \leq V_{DD}$ |
| 2 | Input resistance | R_{IN} | 10 | | | MΩ | |
| 3 | Input offset voltage | V_{OS} | | | 25 | mV | |
| 4 | Power supply rejection | PSRR | 50 | | | dB | 1 kHz |
| 5 | Common mode rejection | CMRR | 40 | | | dB | |
| 6 | DC open loop voltage gain | A_{VOL} | 40 | | | dB | $C_L = 20p$ |
| 7 | Unity gain bandwidth | BW | 1.0 | | | MHz | $C_L = 20p$ |
| 8 | Output voltage swing | V_O | 0.5 | | $V_{DD}-0.5$ | V | $R_L \geq 100\text{ k}\Omega$ to V_{SS} |
| 9 | Allowable capacitive load (GS) | C_L | | | 100 | pF | $PM > 40^\circ$ |
| 10 | Allowable resistive load (GS) | R_L | 50 | | | kΩ | $V_O = 4V_{pp}$ |
| 11 | Common mode range | V_{CM} | 1.0 | | $V_{DD}-1.0$ | V | $R_L = 50k\Omega$ |

Figures are for design aid only: not guaranteed and not subject to production testing.

Characteristics are over recommended operating conditions unless otherwise stated.

MT8888C AC Electrical Characteristics[†] - Voltages are with respect to ground (V_{SS}) unless otherwise stated.

| | Characteristics | Sym | Min | Typ [‡] | Max | Units | Notes* |
|---|---|--------|-----|------------------|-----|-------------------|-----------|
| 1 | Valid input signal levels (each tone of composite signal) | R X | | -29 | +1 | dBm | 1,2,3,5,6 |
| | | | | 27.5 | 869 | mV _{RMS} | 1,2,3,5,6 |

[†] Characteristics are over recommended operating conditions (unless otherwise stated) using the test circuit shown in Figure 13.

AC Electrical Characteristics[†] - Voltages are with respect to ground (V_{SS}) unless otherwise stated. $f_C = 3.579545\text{ MHz}$

| | Characteristics | Sym | Min | Typ [‡] | Max | Units | Notes* | |
|---|-----------------|------------------------|-----|----------------------------|-----|-------|---------|----------------|
| 1 | R X | Positive twist accept | | | 8 | dB | 2,3,6,9 | |
| 2 | | Negative twist accept | | | 8 | dB | 2,3,6,9 | |
| 3 | | Freq. deviation accept | | $\pm 1.5\% \pm 2\text{Hz}$ | | | | 2,3,5 |
| 4 | | Freq. deviation reject | | $\pm 3.5\%$ | | | | 2,3,5 |
| 5 | | Third tone tolerance | | | -16 | | dB | 2,3,4,5,9,10 |
| 6 | | Noise tolerance | | | -12 | | dB | 2,3,4,5,7,9,10 |
| 7 | | Dial tone tolerance | | | 22 | | dB | 2,3,4,5,8,9 |

[†] Characteristics are over recommended operating conditions unless otherwise stated.

[‡] Typical figures are at 25°C, $V_{DD} = 5V$, and for design aid only: not guaranteed and not subject to production testing.

* *See "Notes" following AC Electrical Characteristics Tables.

AC Electrical Characteristics[†]- Call Progress - Voltages are with respect to ground (V_{SS}), unless otherwise stated.

| | Characteristics | Sym | Min | Typ [‡] | Max | Units | Conditions |
|---|---|----------|-----|------------------|-----|-------|-------------------|
| 1 | Accept Bandwidth | f_A | 310 | | 500 | Hz | @ -25 dBm, Note 9 |
| 2 | Lower freq. (REJECT) | f_{LR} | | 290 | | Hz | @ -25 dBm |
| 3 | Upper freq. (REJECT) | f_{HR} | | 540 | | Hz | @ -25 dBm |
| 4 | Call progress tone detect level (total power) | | -30 | | | dBm | |

[†] Characteristics are over recommended operating conditions unless otherwise stated

[‡] Typical figures are at 25°C, $V_{DD}=5V$, and for design aid only: not guaranteed and not subject to production testing

AC Electrical Characteristics[†]- DTMF Reception - Typical DTMF tone accept and reject requirements. Actual values are user selectable as per Figures 5, 6 and 7.

| | Characteristics | Sym | Min | Typ [‡] | Max | Units | Conditions |
|---|-----------------------------------|----------------------|-----|------------------|-----|-------|------------|
| 1 | Minimum tone accept duration | t_{REC} | | 40 | | ms | |
| 2 | Maximum tone reject duration | $\overline{t_{REC}}$ | | 20 | | ms | |
| 3 | Minimum interdigit pause duration | t_{ID} | | 40 | | ms | |
| 4 | Maximum tone drop-out duration | t_{DO} | | 20 | | ms | |

[†] Characteristics are over recommended operating conditions unless otherwise stated

[‡] Typical figures are at 25°C, $V_{DD}=5V$, and for design aid only: not guaranteed and not subject to production testing

AC Electrical Characteristics[†] - Voltages are with respect to ground (V_{SS}), unless otherwise stated.

| | | Characteristics | Sym | Min | Typ [‡] | Max | Units | Conditions |
|----|-------------------------------------|--|-------------|-----------|------------------|-----------|--------------------|--------------------|
| 1 | T O N E | Tone present detect time | t_{DP} | 3 | 11 | 14 | ms | Note 11 |
| 2 | | Tone absent detect time | t_{DA} | 0.5 | 4 | 8.5 | ms | Note 11 |
| 3 | | Delay St to b3 | t_{PStb3} | | 13 | | μs | See Figure 7 |
| 4 | I N | Delay St to RX ₀ -RX ₃ | t_{PStRX} | | 8 | | μs | See Figure 7 |
| 5 | T O N E O U T | Tone burst duration | t_{BST} | 50 | | 52 | ms | DTMF mode |
| 6 | | Tone pause duration | t_{PS} | 50 | | 52 | ms | DTMF mode |
| 7 | | Tone burst duration (extended) | t_{BSTE} | 100 | | 104 | ms | Call Progress mode |
| 8 | | Tone pause duration (extended) | t_{PSE} | 100 | | 104 | ms | Call Progress mode |
| 9 | | High group output level | V_{HOUT} | -6.1 | | -2.1 | dBm | $R_L=10k\Omega$ |
| 10 | | Low group output level | V_{LOUT} | -8.1 | | -4.1 | dBm | $R_L=10k\Omega$ |
| 11 | | Pre-emphasis | dB_P | 0 | 2 | 3 | dB | $R_L=10k\Omega$ |
| 12 | | Output distortion (Single Tone) | THD | | -35 | | dB | 25 kHz Bandwidth |
| 13 | | | | | | | | $R_L=10k\Omega$ |
| 14 | Frequency deviation | f_D | | ± 0.7 | ± 1.5 | % | $f_C=3.579545$ MHz | |
| 15 | Output load resistance | R_{LT} | 10 | | 50 | $k\Omega$ | | |
| 16 | X T A L | Crystal/clock frequency | f_C | 3.5759 | 3.5795 | 3.5831 | MHz | |
| 17 | | Clock input rise and fall time | t_{CLRF} | | | 110 | ns | Ext. clock |
| 18 | | Clock input duty cycle | DC_{CL} | 40 | 50 | 60 | % | Ext. clock |
| 19 | | Capacitive load (OSC2) | C_{LO} | | | 30 | pF | |

[†] Timing is over recommended temperature & power supply voltages.

[‡] Typical figures are at 25°C and for design aid only: not guaranteed and not subject to production testing.

AC Electrical Characteristics[†]- MPU Interface - Voltages are with respect to ground (V_{SS}), unless otherwise stated.

| | Characteristics | Sym | Min | Typ [‡] | Max | Units | Conditions |
|----|---|------------|-----|------------------|-----|-------|---------------------|
| 1 | $\overline{RD}/\overline{WR}$ clock frequency | f_{CYC} | | 4.0 | | MHz | Figure 16 |
| 2 | $\overline{RD}/\overline{WR}$ cycle period | t_{CYC} | | 250 | | ns | Figure 16 |
| 3 | $\overline{RD}/\overline{WR}$ rise and fall time | t_R, t_F | | | 20 | ns | Figure 16 |
| 4 | Address setup time | t_{AS} | 23 | | | ns | Figures 17 & 18 |
| 5 | Address hold time | t_{AH} | 26 | | | ns | Figures 17 & 18 |
| 6 | Data hold time (read) | t_{DHR} | 22 | | | ns | Figures 17 & 18 |
| 7 | \overline{RD} to valid data delay (read) | t_{DDR} | | | 100 | ns | Figures 17 & 18 |
| 8 | $\overline{RD}, \overline{WR}$ pulse width low | t_{PWL} | 150 | | | ns | Figures 16, 17 & 18 |
| 9 | $\overline{RD}, \overline{WR}$ pulse width high | t_{PWH} | | 100 | | ns | Figures 16, 17 & 18 |
| 10 | Data setup time (write) | t_{DSW} | 45 | | | ns | Figures 17 & 18 |
| 11 | Data hold time (write) | t_{DHW} | 10 | | | ns | Figures 17 & 18 |
| 12 | Input Capacitance (data bus) | C_{IN} | | 5 | | pF | |
| 13 | Output Capacitance ($\overline{IRQ}/\overline{CP}$) | C_{OUT} | | 5 | | pF | |

[†] Characteristics are over recommended operating conditions unless otherwise stated

[‡] Typical figures are at 25°C, $V_{DD}=5V$, and for design aid only: not guaranteed and not subject to production testing

- NOTES:**
- 1) dBm=decibels above or below a reference power of 1 mW into a 600 ohm load.
 - 2) Digit sequence consists of all 16 DTMF tones.
 - 3) Tone duration=40 ms. Tone pause=40 ms.
 - 4) Nominal DTMF frequencies are used.
 - 5) Both tones in the composite signal have an equal amplitude.
 - 6) The tone pair is deviated by $\pm 1.5\% \pm 2$ Hz.
 - 7) Bandwidth limited (3 kHz) Gaussian noise.
 - 8) The precise dial tone frequencies are 350 and 440 Hz ($\pm 2\%$).
 - 9) Guaranteed by design and characterization. Not subject to production testing.
 - 10) Referenced to the lowest amplitude tone in the DTMF signal.
 - 11) For guard time calculation purposes.

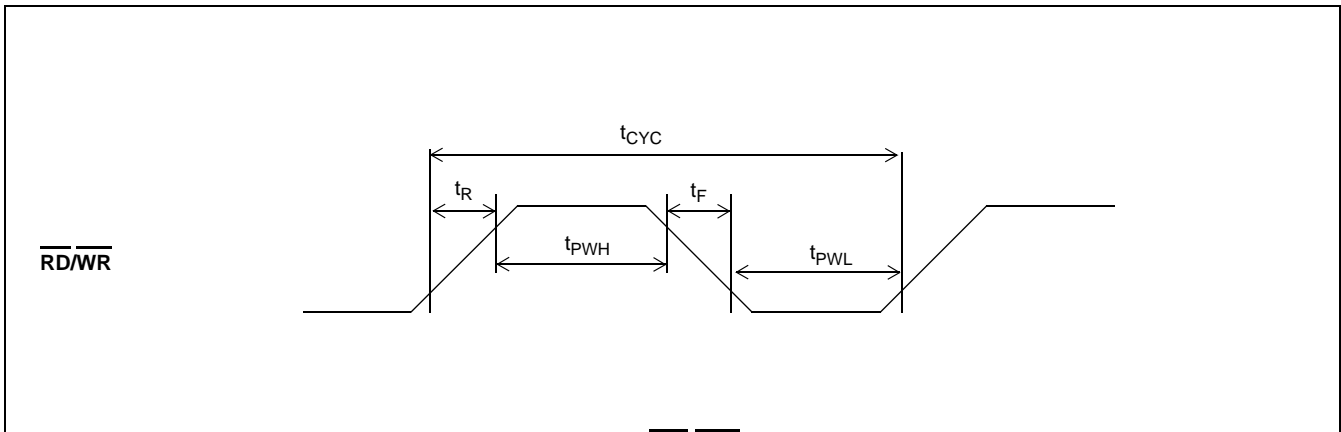


Figure 16 - RD/WR Clock Pulse

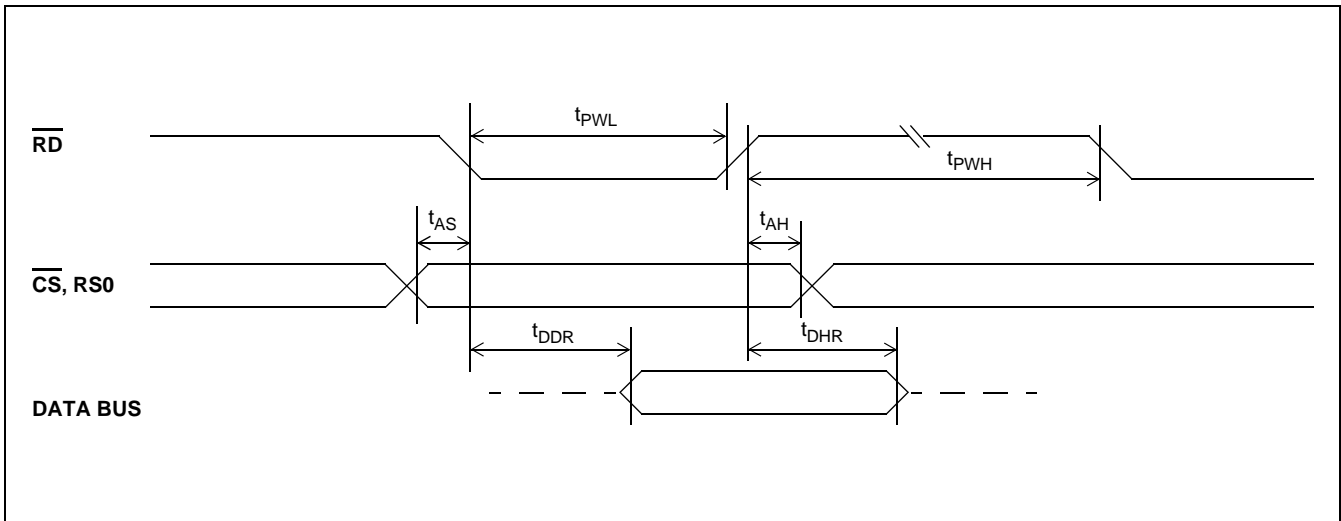


Figure 17 - 8031/8051/8085 Read Timing Diagram

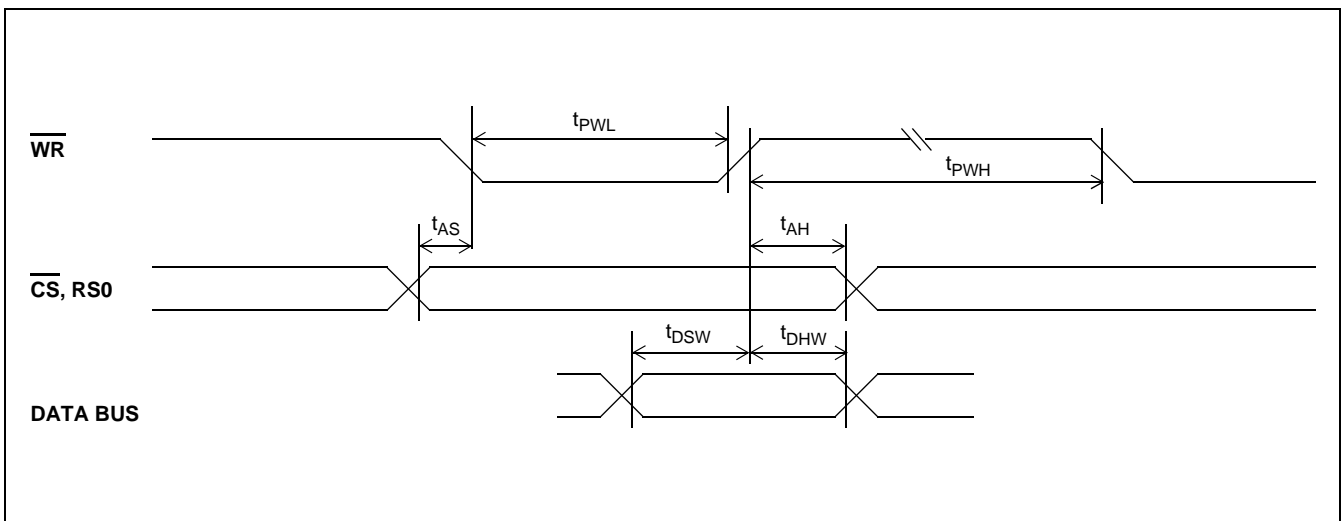
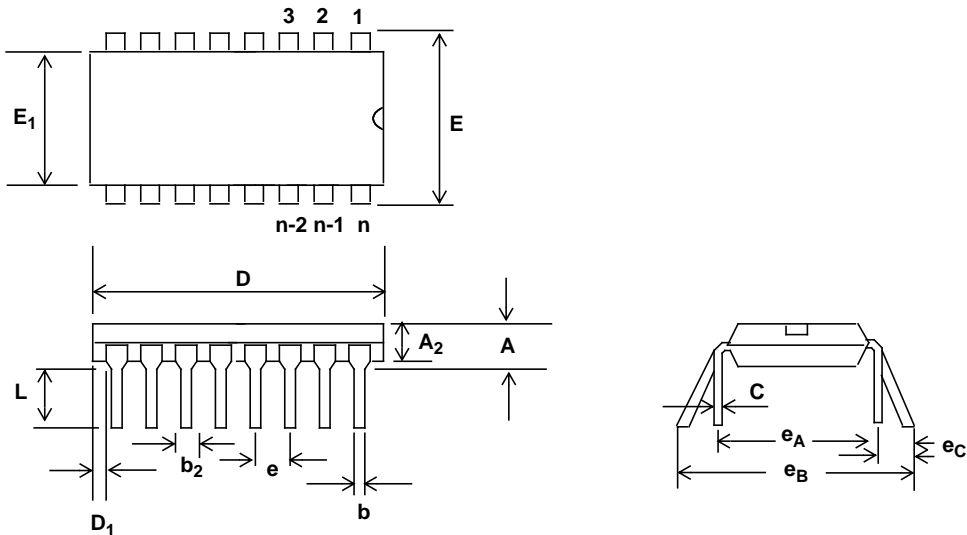


Figure 18 - 8031/8051/8085 Write Timing Diagram

Package Outlines

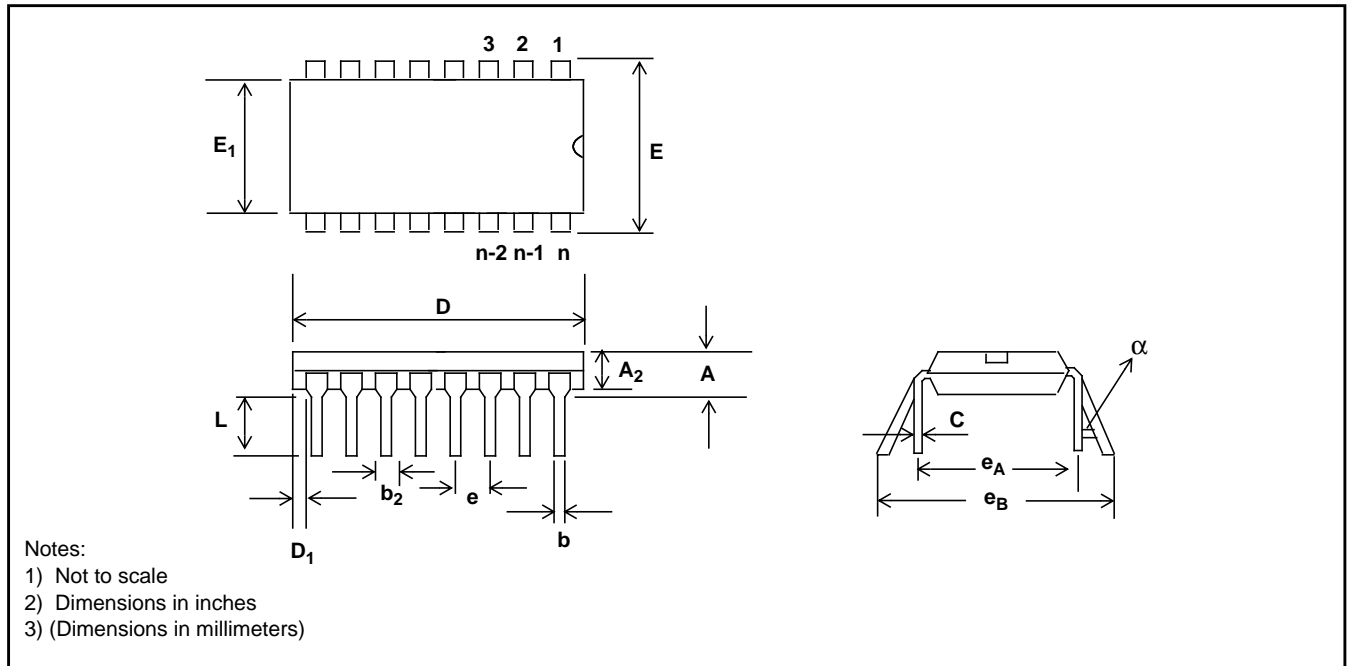


- Notes:
 1) Not to scale
 2) Dimensions in inches
 3) (Dimensions in millimeters)

Plastic Dual-In-Line Packages (PDIP) - E Suffix

| DIM | 8-Pin | | 16-Pin | | 18-Pin | | 20-Pin | |
|----------------------|------------------|---------------|------------------|---------------|------------------|---------------|------------------|---------------|
| | Plastic | | Plastic | | Plastic | | Plastic | |
| | Min | Max | Min | Max | Min | Max | Min | Max |
| A | | 0.210 (5.33) | | 0.210 (5.33) | | 0.210 (5.33) | | 0.210 (5.33) |
| A₂ | 0.115 (2.92) | 0.195 (4.95) | 0.115 (2.92) | 0.195 (4.95) | 0.115 (2.92) | 0.195 (4.95) | 0.115 (2.92) | 0.195 (4.95) |
| b | 0.014 (0.356) | 0.022 (0.558) | 0.014 (0.356) | 0.022 (0.558) | 0.014 (0.356) | 0.022 (0.558) | 0.014 (0.356) | 0.022 (0.558) |
| b₂ | 0.045 (1.14) | 0.070 (1.77) | 0.045 (1.14) | 0.070 (1.77) | 0.045 (1.14) | 0.070 (1.77) | 0.045 (1.14) | 0.070 (1.77) |
| C | 0.008 (0.203) | 0.014 (0.356) | 0.008 (0.203) | 0.014 (0.356) | 0.008 (0.203) | 0.014 (0.356) | 0.008 (0.203) | 0.014 (0.356) |
| D | 0.355 (9.02) | 0.400 (10.16) | 0.780 (19.81) | 0.800 (20.32) | 0.880 (22.35) | 0.920 (23.37) | 0.980 (24.89) | 1.060 (26.9) |
| D₁ | 0.005 (0.13) | | 0.005 (0.13) | | 0.005 (0.13) | | 0.005 (0.13) | |
| E | 0.300 (7.62) | 0.325 (8.26) | 0.300 (7.62) | 0.325 (8.26) | 0.300 (7.62) | 0.325 (8.26) | 0.300 (7.62) | 0.325 (8.26) |
| E₁ | 0.240 (6.10) | 0.280 (7.11) | 0.240 (6.10) | 0.280 (7.11) | 0.240 (6.10) | 0.280 (7.11) | 0.240 (6.10) | 0.280 (7.11) |
| e | 0.100 BSC (2.54) | | 0.100 BSC (2.54) | | 0.100 BSC (2.54) | | 0.100 BSC (2.54) | |
| e_A | 0.300 BSC (7.62) | | 0.300 BSC (7.62) | | 0.300 BSC (7.62) | | 0.300 BSC (7.62) | |
| L | 0.115 (2.92) | 0.150 (3.81) | 0.115 (2.92) | 0.150 (3.81) | 0.115 (2.92) | 0.150 (3.81) | 0.115 (2.92) | 0.150 (3.81) |
| e_B | | 0.430 (10.92) | | 0.430 (10.92) | | 0.430 (10.92) | | 0.430 (10.92) |
| e_C | 0 | 0.060 (1.52) | 0 | 0.060 (1.52) | 0 | 0.060 (1.52) | 0 | 0.060 (1.52) |

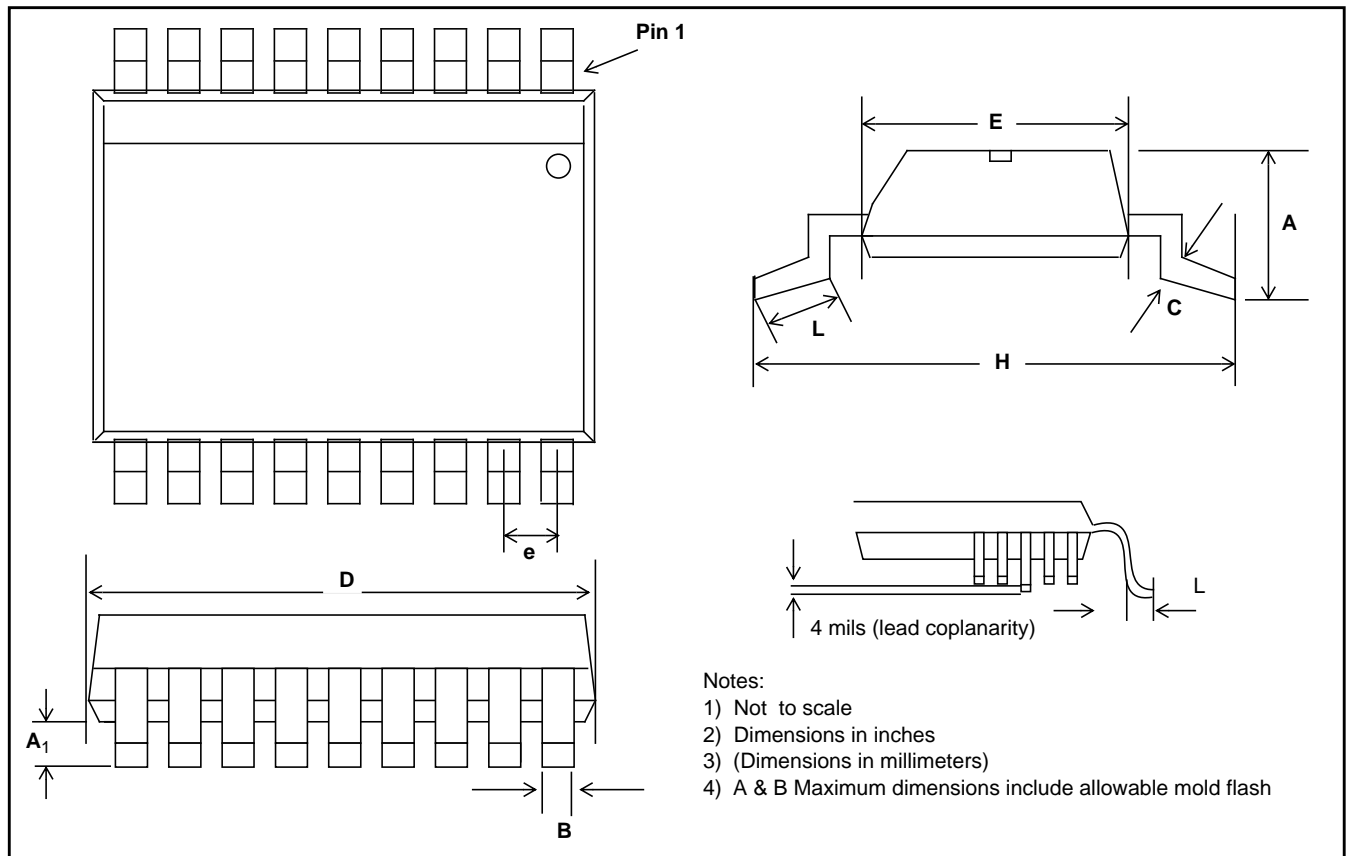
NOTE: Controlling dimensions in parenthesis () are in millimeters.



Plastic Dual-In-Line Packages (PDIP) - E Suffix

| DIM | 22-Pin | | 24-Pin | | 28-Pin | | 40-Pin | |
|----------------------|-------------------|---------------|-------------------|---------------|-------------------|---------------|-------------------|---------------|
| | Plastic | | Plastic | | Plastic | | Plastic | |
| | Min | Max | Min | Max | Min | Max | Min | Max |
| A | | 0.210 (5.33) | | 0.250 (6.35) | | 0.250 (6.35) | | 0.250 (6.35) |
| A₂ | 0.125 (3.18) | 0.195 (4.95) | 0.125 (3.18) | 0.195 (4.95) | 0.125 (3.18) | 0.195 (4.95) | 0.125 (3.18) | 0.195 (4.95) |
| b | 0.014 (0.356) | 0.022 (0.558) | 0.014 (0.356) | 0.022 (0.558) | 0.014 (0.356) | 0.022 (0.558) | 0.014 (0.356) | 0.022 (0.558) |
| b₂ | 0.045 (1.15) | 0.070 (1.77) | 0.030 (0.77) | 0.070 (1.77) | 0.030 (0.77) | 0.070 (1.77) | 0.030 (0.77) | 0.070 (1.77) |
| C | 0.008 (0.204) | 0.015 (0.381) | 0.008 (0.204) | 0.015 (0.381) | 0.008 (0.204) | 0.015 (0.381) | 0.008 (0.204) | 0.015 (0.381) |
| D | 1.050 (26.67) | 1.120 (28.44) | 1.150 (29.3) | 1.290 (32.7) | 1.380 (35.1) | 1.565 (39.7) | 1.980 (50.3) | 2.095 (53.2) |
| D₁ | 0.005 (0.13) | | 0.005 (0.13) | | 0.005 (0.13) | | 0.005 (0.13) | |
| E | 0.390 (9.91) | 0.430 (10.92) | 0.600 (15.24) | 0.670 (17.02) | 0.600 (15.24) | 0.670 (17.02) | 0.600 (15.24) | 0.670 (17.02) |
| E | | | 0.290 (7.37) | .330 (8.38) | | | | |
| E₁ | 0.330 (8.39) | 0.380 (9.65) | 0.485 (12.32) | 0.580 (14.73) | 0.485 (12.32) | 0.580 (14.73) | 0.485 (12.32) | 0.580 (14.73) |
| E₁ | | | 0.246 (6.25) | 0.254 (6.45) | | | | |
| e | 0.100 BSC (2.54) | | 0.100 BSC (2.54) | | 0.100 BSC (2.54) | | 0.100 BSC (2.54) | |
| e_A | 0.400 BSC (10.16) | | 0.600 BSC (15.24) | | 0.600 BSC (15.24) | | 0.600 BSC (15.24) | |
| e_A | | | 0.300 BSC (7.62) | | | | | |
| e_B | | | | 0.430 (10.92) | | | | |
| L | 0.115 (2.93) | 0.160 (4.06) | 0.115 (2.93) | 0.200 (5.08) | 0.115 (2.93) | 0.200 (5.08) | 0.115 (2.93) | 0.200 (5.08) |
| α | | 15° | | 15° | | 15° | | 15° |

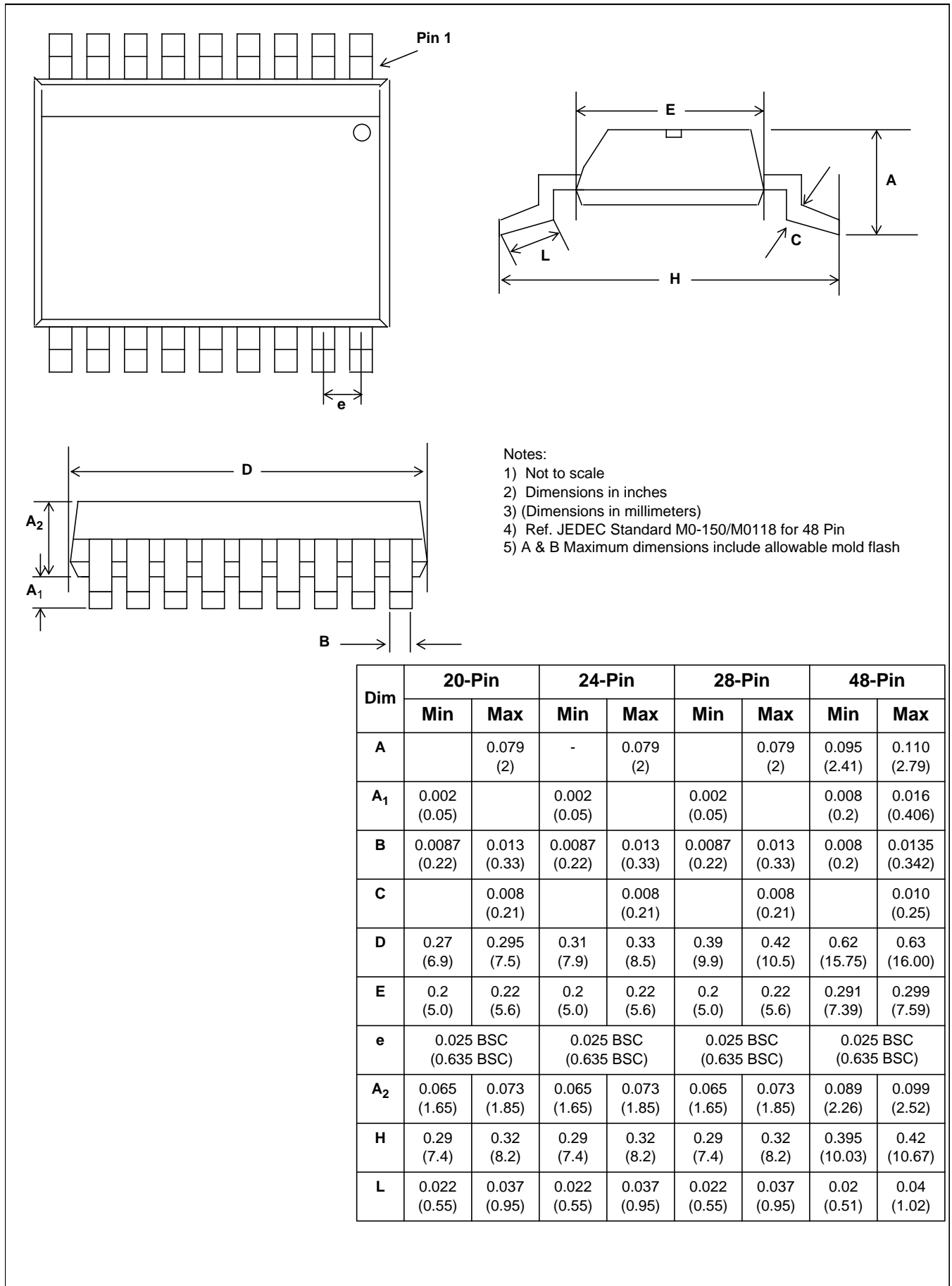
Shaded areas for 300 Mil Body Width 24 PDIP only



| DIM | 16-Pin | | 18-Pin | | 20-Pin | | 24-Pin | | 28-Pin | |
|----------------|-------------------------|------------------|-------------------------|-------------------|-------------------------|------------------|-------------------------|------------------|-------------------------|------------------|
| | Min | Max | Min | Max | Min | Max | Min | Max | Min | Max |
| A | 0.093 (2.35) | 0.104 (2.65) | 0.093 (2.35) | 0.104 (2.65) | 0.093 (2.35) | 0.104 (2.65) | 0.093 (2.35) | 0.104 (2.65) | 0.093 (2.35) | 0.104 (2.65) |
| A ₁ | 0.004 (0.10) | 0.012 (0.30) | 0.004 (0.10) | 0.012 (0.30) | 0.004 (0.10) | 0.012 (0.30) | 0.004 (0.10) | 0.012 (0.30) | 0.004 (0.10) | 0.012 (0.30) |
| B | 0.013 (0.33) | 0.020 (0.51) | 0.013 (0.33) | 0.030 (0.51) | 0.013 (0.33) | 0.020 (0.51) | 0.013 (0.33) | 0.020 (0.51) | 0.013 (0.33) | 0.020 (0.51) |
| C | 0.009 (0.231) | 0.013 (0.318) | 0.009 (0.231) | 0.013 (0.318) | 0.009 (0.231) | 0.013 (0.318) | 0.009 (0.231) | 0.013 (0.318) | 0.009 (0.231) | 0.013 (0.318) |
| D | 0.398 (10.1) | 0.413 (10.5) | 0.447 (11.35) | 0.4625 (11.75) | 0.496 (12.60) | 0.512 (13.00) | 0.5985 (15.2) | 0.614 (15.6) | 0.697 (17.7) | 0.7125 (18.1) |
| E | 0.291 (7.40) | 0.299 (7.40) | 0.291 (7.40) | 0.299 (7.40) | 0.291 (7.40) | 0.299 (7.40) | 0.291 (7.40) | 0.299 (7.40) | 0.291 (7.40) | 0.299 (7.40) |
| e | 0.050 BSC (1.27 BSC) | | 0.050 BSC (1.27 BSC) | | 0.050 BSC (1.27 BSC) | | 0.050 BSC (1.27 BSC) | | 0.050 BSC (1.27 BSC) | |
| H | 0.394 (10.00) | 0.419 (10.65) | 0.394 (10.00) | 0.419 (10.65) | 0.394 (10.00) | 0.419 (10.65) | 0.394 (10.00) | 0.419 (10.65) | 0.394 (10.00) | 0.419 (10.65) |
| L | 0.016 (0.40) | 0.050 (1.27) | 0.016 (0.40) | 0.050 (1.27) | 0.016 (0.40) | 0.050 (1.27) | 0.016 (0.40) | 0.050 (1.27) | 0.016 (0.40) | 0.050 (1.27) |

Lead SOIC Package - S Suffix

NOTES: 1. Controlling dimensions in parenthesis () are in millimeters.
2. Converted inch dimensions are not necessarily exact.



| Dim | 20-Pin | | 24-Pin | | 28-Pin | | 48-Pin | |
|----------------|--------------------------|-----------------|--------------------------|-----------------|--------------------------|-----------------|--------------------------|-------------------|
| | Min | Max | Min | Max | Min | Max | Min | Max |
| A | | 0.079 (2) | - | 0.079 (2) | | 0.079 (2) | 0.095 (2.41) | 0.110 (2.79) |
| A ₁ | 0.002 (0.05) | | 0.002 (0.05) | | 0.002 (0.05) | | 0.008 (0.2) | 0.016 (0.406) |
| B | 0.0087 (0.22) | 0.013 (0.33) | 0.0087 (0.22) | 0.013 (0.33) | 0.0087 (0.22) | 0.013 (0.33) | 0.008 (0.2) | 0.0135 (0.342) |
| C | | 0.008 (0.21) | | 0.008 (0.21) | | 0.008 (0.21) | | 0.010 (0.25) |
| D | 0.27 (6.9) | 0.295 (7.5) | 0.31 (7.9) | 0.33 (8.5) | 0.39 (9.9) | 0.42 (10.5) | 0.62 (15.75) | 0.63 (16.00) |
| E | 0.2 (5.0) | 0.22 (5.6) | 0.2 (5.0) | 0.22 (5.6) | 0.2 (5.0) | 0.22 (5.6) | 0.291 (7.39) | 0.299 (7.59) |
| e | 0.025 BSC (0.635 BSC) | | 0.025 BSC (0.635 BSC) | | 0.025 BSC (0.635 BSC) | | 0.025 BSC (0.635 BSC) | |
| A ₂ | 0.065 (1.65) | 0.073 (1.85) | 0.065 (1.65) | 0.073 (1.85) | 0.065 (1.65) | 0.073 (1.85) | 0.089 (2.26) | 0.099 (2.52) |
| H | 0.29 (7.4) | 0.32 (8.2) | 0.29 (7.4) | 0.32 (8.2) | 0.29 (7.4) | 0.32 (8.2) | 0.395 (10.03) | 0.42 (10.67) |
| L | 0.022 (0.55) | 0.037 (0.95) | 0.022 (0.55) | 0.037 (0.95) | 0.022 (0.55) | 0.037 (0.95) | 0.02 (0.51) | 0.04 (1.02) |

Small Shrink Outline Package (SSOP) - N Suffix



**For more information about all Zarlink products
visit our Web Site at
www.zarlink.com**

Information relating to products and services furnished herein by Zarlink Semiconductor Inc. trading as Zarlink Semiconductor or its subsidiaries (collectively "Zarlink") is believed to be reliable. However, Zarlink assumes no liability for errors that may appear in this publication, or for liability otherwise arising from the application or use of any such information, product or service or for any infringement of patents or other intellectual property rights owned by third parties which may result from such application or use. Neither the supply of such information or purchase of product or service conveys any license, either express or implied, under patents or other intellectual property rights owned by Zarlink or licensed from third parties by Zarlink, whatsoever. Purchasers of products are also hereby notified that the use of product in certain ways or in combination with Zarlink, or non-Zarlink furnished goods or services may infringe patents or other intellectual property rights owned by Zarlink.

This publication is issued to provide information only and (unless agreed by Zarlink in writing) may not be used, applied or reproduced for any purpose nor form part of any order or contract nor to be regarded as a representation relating to the products or services concerned. The products, their specifications, services and other information appearing in this publication are subject to change by Zarlink without notice. No warranty or guarantee express or implied is made regarding the capability, performance or suitability of any product or service. Information concerning possible methods of use is provided as a guide only and does not constitute any guarantee that such methods of use will be satisfactory in a specific piece of equipment. It is the user's responsibility to fully determine the performance and suitability of any equipment using such information and to ensure that any publication or data used is up to date and has not been superseded. Manufacturing does not necessarily include testing of all functions or parameters. These products are not suitable for use in any medical products whose failure to perform may result in significant injury or death to the user. All products and materials are sold and services provided subject to Zarlink's conditions of sale which are available on request.

Purchase of Zarlink's I²C components conveys a licence under the Philips I²C Patent rights to use these components in an I²C System, provided that the system conforms to the I²C Standard Specification as defined by Philips.

Zarlink and the Zarlink Semiconductor logo are trademarks of Zarlink Semiconductor Inc.

Copyright 2001, Zarlink Semiconductor Inc. All Rights Reserved.

TECHNICAL DOCUMENTATION - NOT FOR RESALE
