

Silicon PNP Power Transistors

2SA1288

DESCRIPTION

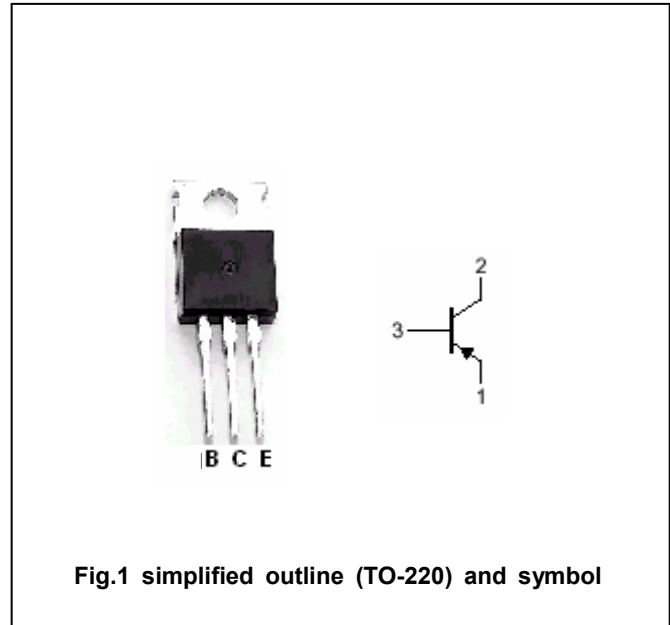
- With TO-220 package
- Low collector saturation voltage
- Short switching time

APPLICATIONS

- Various inductance lamp drivers for electrical equipment
- Inverters;converters
- Power amplification
- Switching regulator ,driver

PINNING

| PIN | DESCRIPTION |
|-----|--------------------------------------|
| 1 | Emitter |
| 2 | Collector;connected to mounting base |
| 3 | Base |

Absolute maximum ratings($T_a=25^\circ\text{C}$)

| SYMBOL | PARAMETER | CONDITIONS | VALUE | UNIT |
|-----------|-----------------------------|------------------------|---------|------------------|
| V_{CBO} | Collector-base voltage | Open emitter | -80 | V |
| V_{CEO} | Collector-emitter voltage | Open base | -60 | V |
| V_{EBO} | Emitter-base voltage | Open collector | -5 | V |
| I_C | Collector current | | -3 | A |
| I_{CM} | Collector current-Peak | | -5 | A |
| P_C | Collector power dissipation | $T_c=25^\circ\text{C}$ | 30 | W |
| T_j | Junction temperature | | 150 | $^\circ\text{C}$ |
| T_{stg} | Storage temperature | | -55~150 | $^\circ\text{C}$ |

Silicon PNP Power Transistors

2SA1288

CHARACTERISTICS

T_j=25 °C unless otherwise specified

| SYMBOL | PARAMETER | CONDITIONS | MIN | TYP. | MAX | UNIT |
|----------------------|--------------------------------------|--|-----|------|------|------|
| V _{(BR)CEO} | Collector-emitter breakdown voltage | I _C =-1mA, R _{BE} =∞ | -60 | | | V |
| V _{(BR)CBO} | Collector-base breakdown voltage | I _C =-1mA; I _E =0 | -80 | | | V |
| V _{(BR)EBO} | Emitter-base breakdown voltage | I _E =-1mA; I _C =0 | -5 | | | V |
| V _{CEsat} | Collector-emitter saturation voltage | I _C =-1.5A; I _B =-75mA | | | -0.4 | V |
| I _{CBO} | Collector cut-off current | V _{CB} =-40V; I _E =0 | | | -100 | μA |
| I _{EBO} | Emitter cut-off current | V _{EB} =-4V; I _C =0 | | | -100 | μA |
| h _{FE} | DC current gain | I _C =-0.5A; V _{CE} =-2V | 70 | | 280 | |
| f _T | Transition frequency | I _C =-0.5A; V _{CE} =-5V | | 100 | | MHz |

◆ h_{FE} Classifications

| Q | R | S |
|--------|---------|---------|
| 70-140 | 100-200 | 140-280 |

Silicon PNP Power Transistors

2SA1288

PACKAGE OUTLINE



Fig.2 Outline dimensions(unindicated tolerance:±0.10 mm)