



**2SA1106**

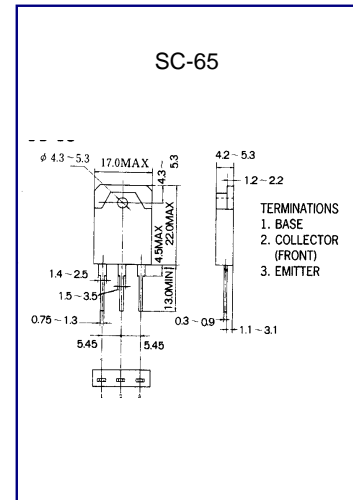
**PNP PLANAR SILICON TRANSISTOR**

**AUDIO POWER AMPLIFIER  
DC TO DC CONVERTER**

- High Current Capability
- High Power Dissipation
- Complementary to 2SC2581

**ABSOLUTE MAXIMUM RATING (Ta=25°C)**

Characteristic	Symbol	Rating	Unit
Collector-Base Voltage	VCBO	-200	V
Collector-Emitter Voltage	VCEO	-140	V
Emitter-Base voltage	VEBO	-6	V
Collector Current (DC)	IC	-10	A
Collector Dissipation	PC	100	W
Junction Temperature	Tj	150	°C
Storage Temperature	Tstg	-55~150	°C



**ELECTRICAL CHARACTERISTICS (Ta=25°C)**

Characteristic	Symbol	Test Condition	Min	Typ	Max	Unit
Collector Base Breakdown Voltage	BVCBO	IC=-5 mA IE=0	-200			V
Collector Emitter Breakdown Voltage	BVCEO	IC=-10 mA	-140			V
Emitter Base Breakdown Voltage	BVEBO	RBE=∞	-6			V
Collector Cutoff Current	ICBO	IE=-5mA IC=0			-0.1	mA
Emitter Cutoff Current	IEBO	VCB=-100V IE=0			-0.1	mA
*DC Current Gain	hFE1	VEB=-4V IC=0	55		160	
DC Current Gain	hFE2	VCE=-5V IC=-1A	50			
Collector- Emitter Saturation Voltage	VCE(sat)	VCE=-5V IC=-5A IC=-5A IB=-0.5A			-2.0	V

Wing Shing Computer Components Co., (H.K.)Ltd.  
Homepage: <http://www.wingshing.com>

Tel:(852)2341 9276 Fax:(852)2797 8153  
E-mail: [wsccltd@hkstar.com](mailto:wsccltd@hkstar.com)