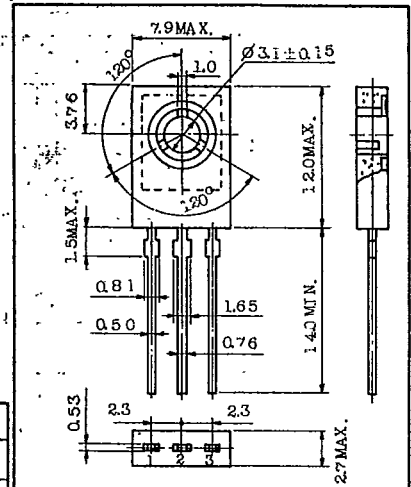


COLOR TV VERT. DEFLECTION OUTPUT APPLICATIONS.
 COLOR TV-CLASS B SOUND OUTPUT APPLICATIONS.

FEATURES:

- Large Collector Current and Collector Power Dissipation Capability.
- Recommended for Vert. Deflection Output & Sound Output Applications for Line Operated TV.
- Complementary to 2SC2481.

Unit in mm



JEDEC	TO-186
EIAJ	-
TOSHIBA	2-8F1A

Mounting Kit No. AC46C
 Weight : 0.72g

MAXIMUM RATINGS (Ta=25°C)

CHARACTERISTIC	SYMBOL	RATING	UNIT
Collector-Base Voltage	V _{CB0}	-150	V
Collector-Emitter Voltage	V _{CE0}	-150	V
Emitter-Base Voltage	V _{EB0}	-6	V
Collector Current	I _C	-1.5	A
Base Current	I _B	-1.0	A
Collector Power Dissipation	P _C	Ta=25°C	1.2
		Tc=25°C	20
Junction Temperature	T _j	150	°C
Storage Temperature Range	T _{stg}	-55~150	°C

ELECTRICAL CHARACTERISTICS (Ta=25°C)

CHARACTERISTIC	SYMBOL	TEST-CONDITION	MIN.	TYP.	MAX.	UNIT
Collector Cut-off Current	I _{CB0}	V _{CB} =-150V, I _E =0	-	-	-1.0	μA
Emitter Cut-off Current	I _{EB0}	V _{EB} =-6V, I _C =0	-	-	-1.0	μA
Collector-Emitter Breakdown Voltage	V _{(BR)CEO}	I _C =-10mA, I _B =0	-150	-	-	V
DC Current Gain	h _{FE} (Note)	V _{CE} =-5V, I _C =-200mA	60	-	320	
Collector-Emitter Saturation Voltage	V _{CE(sat)}	I _C =-500mA, I _B =-50mA	-	-	-1.5	V
Base-Emitter Voltage	V _{BE}	V _{CE} =-5V, I _C =-5mA	-0.5	-	-0.8	V
Transition Frequency	f _T	V _{CE} =-5V, I _C =-200mA	15	50	-	MHz
Collector Output Capacitance	C _{ob}	V _{CB} =-10V, I _B =0, f=1MHz	-	-	35	pF

Note : h_{FE} Classification R:60~120 O:100~200 Y:160~320

