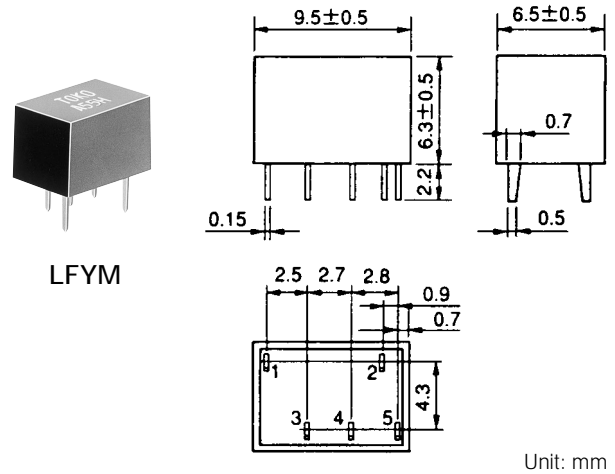
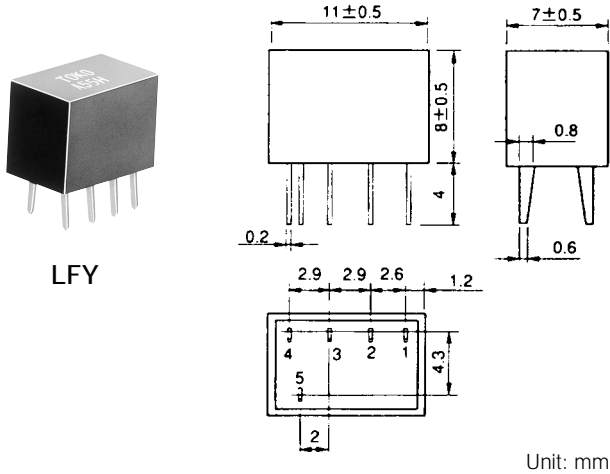


TYPE LFY,LFYM



Unit: mm

Unit: mm

Description

- AM Ceramic filters are connected in a ladder structure and are available as either 4/6 element devices
- Bandwidths from 6 to 30 kHz

Features

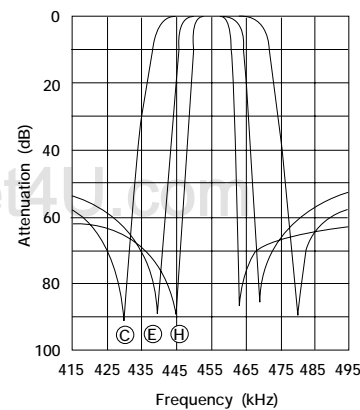
- 450, 455 kHz, (460kHz and 486kHz by Special request)
- High Selectivity
- Compact Package
- Version with group delay variations specified also available

Applications

- AM radio cassettes, AM stereo sets
- Cordless telephones, Pagers, Cellular phones
- Two-way radios

Frequency Response

LFY / LFYM (6 element)



Bandwidth Rank:
 C = ±12.5kHz
 E = ±7.5kHz
 H = ±3kHz

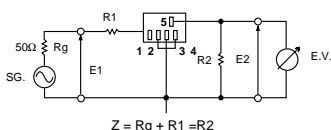
STANDARD FILTERS SELECTION GUIDE

TYPE LFY/LFYM

TOKO Part Number	Center * Frequency (kHz)	Bandwidth at 6 dB (kHz)	Bandwidth at 50 dB (kHz)	Attenuation fo ± 100 KHz (dB)	Insertion Loss (dB)	Input/Output Impedance (kΩ)
LFY						
ALFY455H	455±1.0	±3.0 min.	±9.0 min.	35.0 max.	6.0 max.	2.0
ALFY455G	455±1.0	±4.5 min.	±10.0 min.	35.0 max.	6.0 max.	2.0
ALFY455F	455±1.0	±6.0 min.	±12.5 min.	35.0 max.	6.0 max.	2.0
ALFY455E	455±1.0	±7.5 min.	±15.0 min.	35.0 max.	6.0 max.	1.5
BLFY455D	455±2.0	±10.0 min.	±20.0 min.	35.0 max.	4.0 max.	1.5
BLFY455C	455±2.0	±12.5 min.	±24.0 min.	35.0 max.	4.0 max.	1.5
BLFY455B	455±2.0	±15.0 min.	±30.0 min.	35.0 max.	4.0 max.	1.5
LFYM						
ALFYM455H	455±1.0	±3.0 min.	±9.0 min.	35.0 max	6.0 max.	2.0
ALFYM455G	455±1.0	±4.5 min.	±10.0 min.	35.0 max	6.0 max.	2.0
ALFYM455F	455±1.0	±6.0 min.	±12.5 min.	35.0 max	6.0 max.	2.0
ALFYM455E	455±1.0	±7.5 min.	±15.0 min.	35.0 max	6.0 max.	1.5
BLFYM455D	455±2.0	±10.0 min.	±20.0 min.	35.0 max	4.0 max.	1.5
BLFYM455C	455±2.0	±12.5 min.	±24.0 min.	35.0 max	4.0 max.	1.5
BLFYM455B	455±2.0	±15.0 min.	±30.0 min.	35.0 max	4.0 max.	1.5

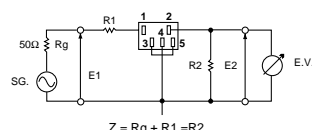
* For 450kHz, substitute 450 for 455 in part number.

LFY Test circuit



Z = Rg + R1 = R2

LFYM Test circuit



Z = Rg + R1 = R2

Test conditions

1. C includes test circuit capacitance.
2. R1, R2: Input-output impedance

Cs: Stray capacitance

(less than 50pF, including EV)