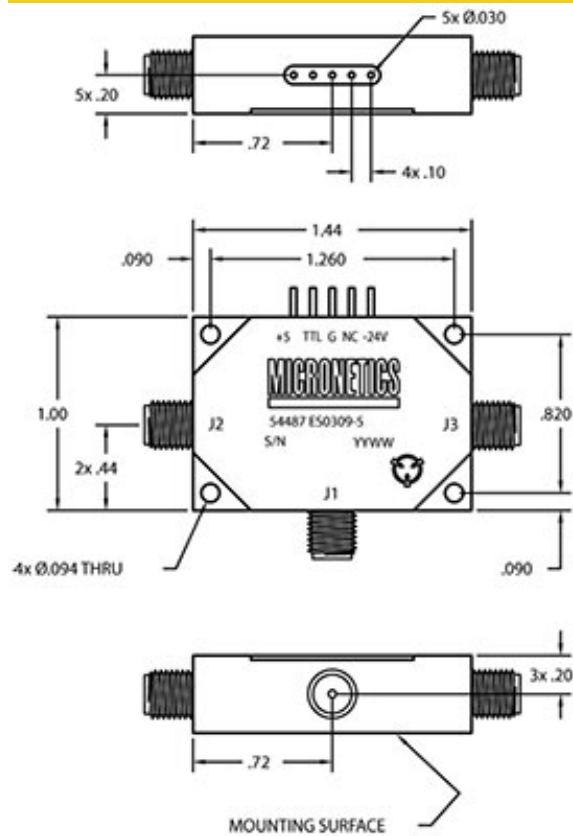


High Power Switch ES0309-5 0.1GHz to 1GHz



Power Input Specifications

RF Frequency	0.1GHz to 1GHz
Peak Power	5 Watts max
Average Power	5 Watts max
Pulse Width	CW uSec max
Load VSWR	2:1 max

Microwave Specifications

VSWR	1.3:1 max
Switching Speed	100 ns max

Mechanical

RF Connector	SMA-F
Bias Connector	Solder Pins
Control Connector	Solder Pins
Control	TTL
Positive Supply	5 Vdc 150 mA
Negative Supply	-28 Vdc
Power	80 mA

Environmental Ratings

Storage Temperature	-55 to 125 °C
Operating Temperature	-55 to 85 °C

Notes

Specifications subject to change without notice

Micronetics, Inc. | Hudson, NH | Tel: 1-603-883-2900 | www.Micronetics.com

MICRONETICS

