

C to Ku BAND SUPER LOW NOISE AMPLIFIER  
N-CHANNEL HJ-FET

DESCRIPTION

The NE32484A is a Hetero Junction FET that utilizes the hetero junction to create high mobility electrons. Its excellent low noise and high associated gain make it suitable for DBS, TVRO and another commercial systems.

FEATURES

- Super Low Noise Figure & High Associated Gain  
NF = 0.6 dB TYP., Ga = 11.0 dB TYP. at f = 12 GHz
- Gate Length :  $L_g \leq 0.25 \mu\text{m}$
- Gate Width :  $W_g = 200 \mu\text{m}$

ORDERING INFORMATION

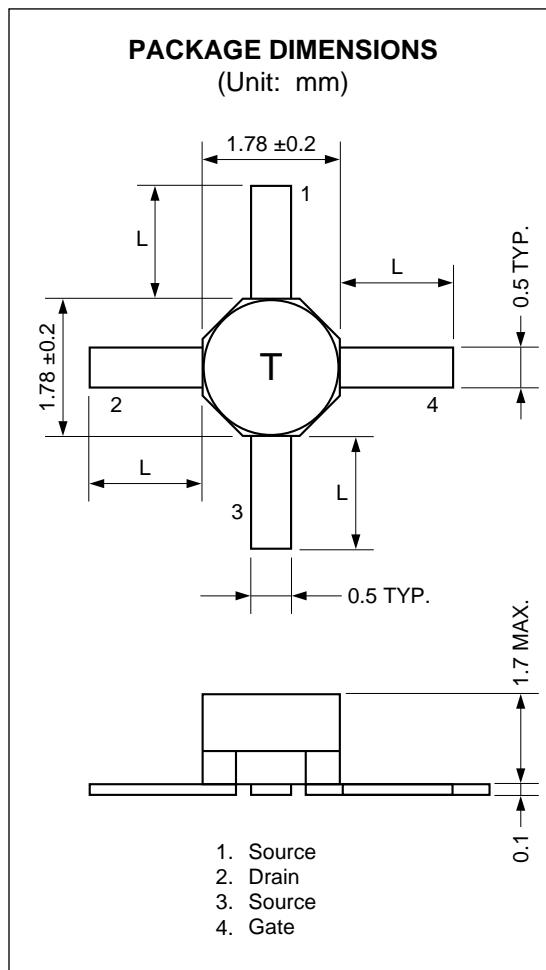
PART NUMBER	SUPPLYING FORM	LEAD LENGTH	MARKING
NE32484A-SL	STICK	L = 1.7 mm MIN.	T
NE32484A-T1	Tape & reel 1000 pcs./reel	L = 1.0 ± 0.2 mm	
NE32484A-T1A	Tape & reel 5000 pcs./reel	L = 1.0 ± 0.2 mm	

ABSOLUTE MAXIMUM RATINGS (TA = 25 °C)

Drain to Source Voltage	V <sub>DS</sub>	4.0	V
Gate to Source Voltage	V <sub>GS</sub>	-3.0	V
Drain Current	I <sub>D</sub>	I <sub>DSS</sub>	mA
Gate Current	I <sub>G</sub>	100	μA
Total Power Dissipation	P <sub>tot</sub>	165	mW
Channel Temperature	T <sub>ch</sub>	150	°C
Storage Temperature	T <sub>stg</sub>	-65 to +150	°C

RECOMMENDED OPERATING CONDITION (TA = 25 °C)

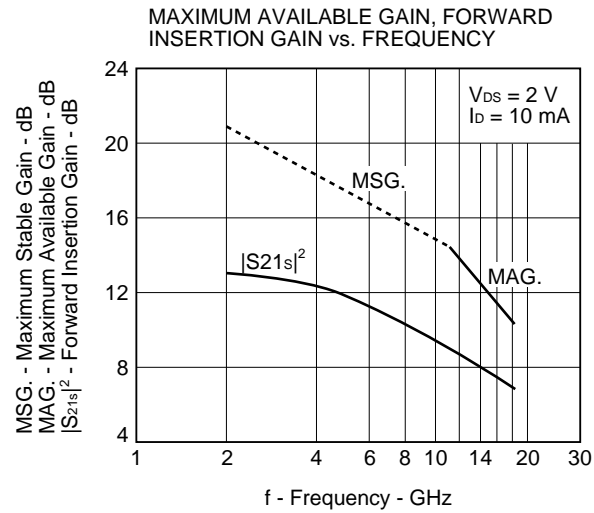
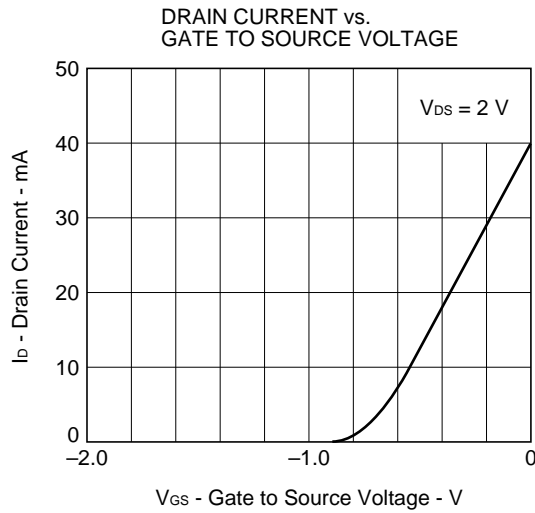
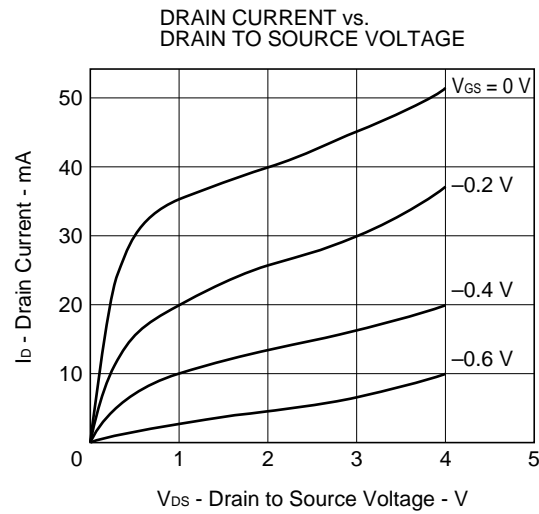
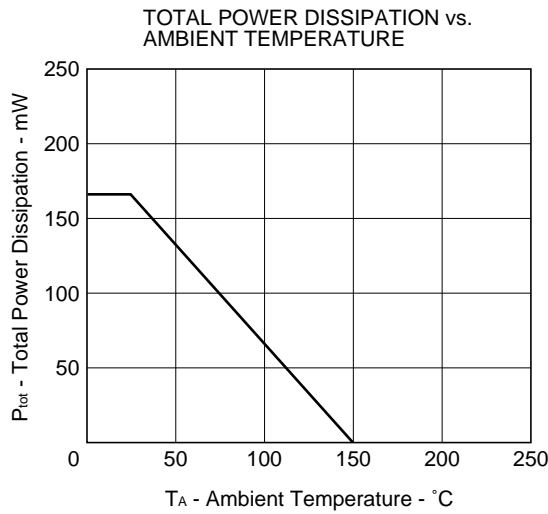
CHARACTERISTIC	SYMBOL	MIN.	TYP.	MAX.	Unit
Drain to Source Voltage	V <sub>DS</sub>		2	3	V
Drain Current	I <sub>D</sub>		10	20	mA
Input Power	P <sub>in</sub>			0	dBm



**ELECTRICAL CHARACTERISTICS (T<sub>A</sub> = 25 °C)**

CHARACTERISTIC	SYMBOL	MIN.	TYP.	MAX.	UNIT	TEST CONDITIONS
Gate to Source Leak Current	I <sub>GSO</sub>		0.5	10	μA	V <sub>GS</sub> = -3 V
Saturated Drain Current	I <sub>DSS</sub>	15	40	70	mA	V <sub>DS</sub> = 2 V, V <sub>GS</sub> = 0 V
Gate to Source Cutoff Voltage	V <sub>GS(off)</sub>	-0.2	-0.8	-2.0	V	V <sub>DS</sub> = 2 V, I <sub>D</sub> = 100 μA
Transconductance	g <sub>m</sub>	45	60		mS	V <sub>DS</sub> = 2 V, I <sub>D</sub> = 10 mA
Noise Figure	NF		0.6	0.7	dB	V <sub>DS</sub> = 2 V, I <sub>D</sub> = 10 mA, f = 12 GHz
Associated Gain	G <sub>a</sub>	10.0	11.0		dB	

**TYPICAL CHARACTERISTICS (T<sub>A</sub> = 25 °C)**



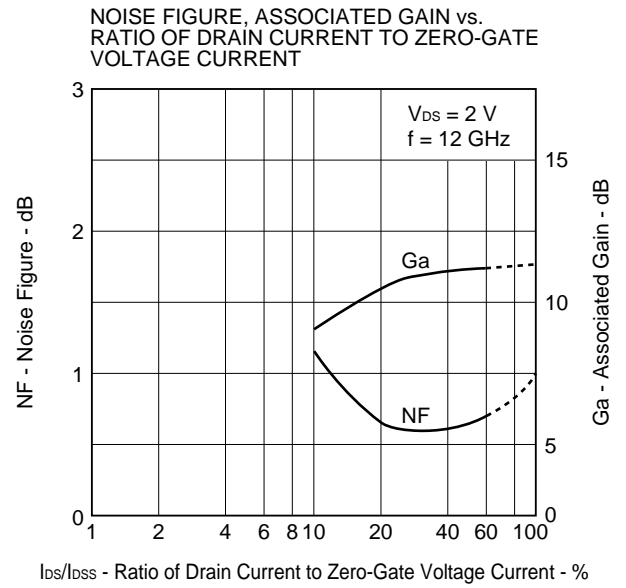
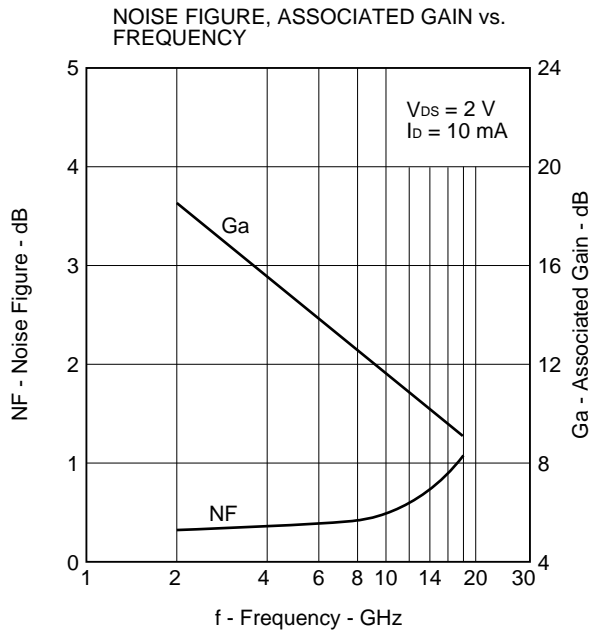
**Gain Calculations**

$$MSG = \frac{|S_{21}|}{|S_{12}|}$$

$$K = \frac{1 + |\Delta|^2 - |S_{11}|^2 - |S_{22}|^2}{2|S_{12}||S_{21}|}$$

$$MAG = \frac{|S_{21}|}{|S_{12}|} \left( K \pm \sqrt{K^2 - 1} \right)$$

$$\Delta = S_{11} \cdot S_{22} - S_{21} \cdot S_{12}$$

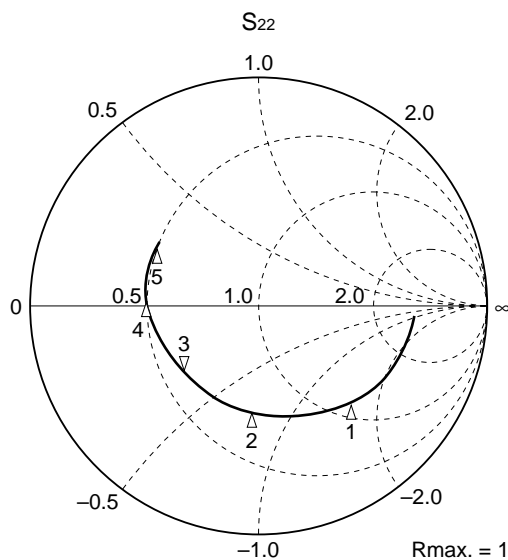
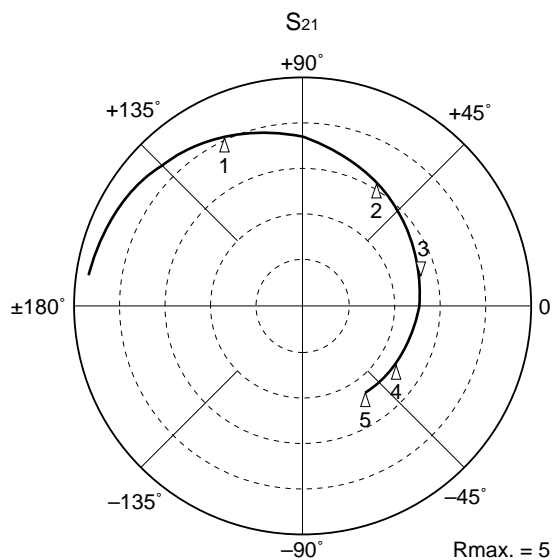
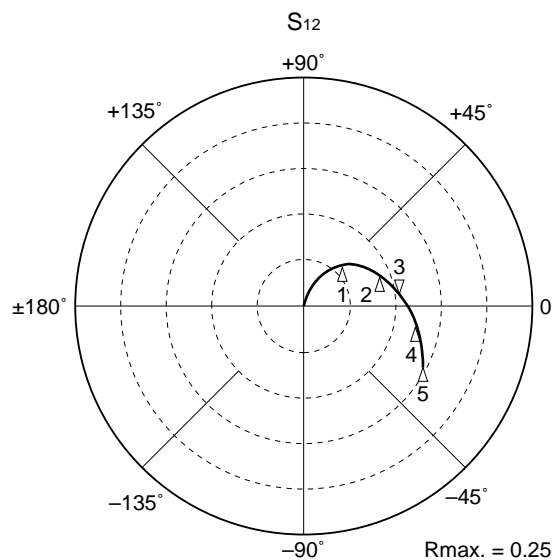
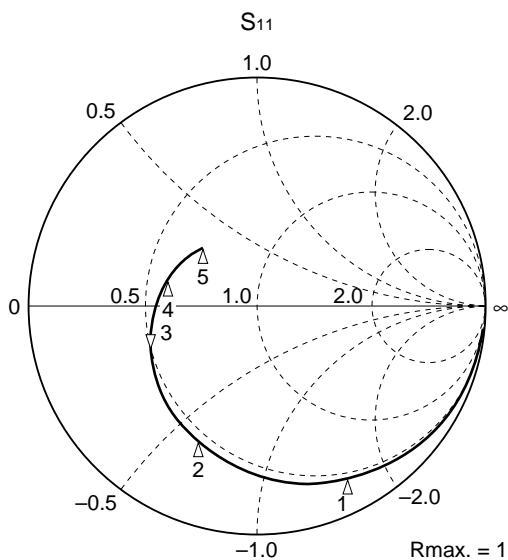


**S-Parameters**

$V_{DS} = 2\text{ V}$ ,  $I_D = 10\text{ mA}$

START 500 MHz, STOP 18 GHz, STEP 500 MHz

Marker  
 1: 4 GHz  
 2: 8 GHz  
 3: 12 GHz  
 4: 16 GHz  
 5: 18 GHz



**S-Parameters** MAG. AND ANG.

V<sub>DS</sub> = 2 V, I<sub>D</sub> = 10 mA

FREQUENCY MHz	S <sub>11</sub>		S <sub>21</sub>		S <sub>12</sub>		S <sub>22</sub>	
	MAG.	ANG. (deg.)	MAG.	ANG. (deg.)	MAG.	ANG. (deg.)	MAG.	ANG. (deg.)
500	.999	-8.3	4.699	171.5	.009	81.1	.667	-6.2
1 000	.990	-16.6	4.678	162.9	.019	78.1	.663	-12.3
1 500	.976	-24.9	4.611	154.1	.027	73.5	.654	-18.2
2 000	.952	-32.7	4.508	146.0	.035	67.5	.641	-24.2
2 500	.934	-40.5	4.424	138.0	.043	61.4	.626	-29.7
3 000	.908	-48.2	4.328	130.0	.051	58.8	.612	-35.8
3 500	.884	-55.8	4.222	122.2	.056	53.8	.598	-41.2
4 000	.858	-63.1	4.127	114.7	.062	48.5	.576	-47.1
4 500	.830	-70.5	4.022	107.2	.067	44.5	.559	-52.9
5 000	.802	-77.5	3.906	99.9	.072	40.4	.538	-58.7
5 500	.775	-84.5	3.793	92.7	.075	36.3	.516	-64.7
6 000	.746	-91.0	3.669	85.8	.078	32.6	.497	-70.9
6 500	.725	-97.4	3.552	79.0	.081	29.6	.481	-76.7
7 000	.702	-103.5	3.426	72.7	.083	27.2	.470	-82.9
7 500	.681	-109.2	3.324	66.3	.085	24.9	.460	-88.3
8 000	.659	-114.3	3.223	60.1	.088	21.9	.454	-93.6
8 500	.645	-119.4	3.126	54.4	.090	19.9	.450	-99.5
9 000	.625	-124.2	3.050	48.4	.092	17.3	.450	-104.7
9 500	.609	-128.9	2.984	43.1	.094	15.6	.449	-109.8
10 000	.592	-134.2	2.921	37.1	.097	14.1	.441	-116.2
10 500	.574	-139.4	2.868	31.5	.098	11.3	.433	-121.4
11 000	.556	-144.6	2.812	25.7	.100	9.6	.429	-128.7
11 500	.539	-149.9	2.759	20.0	.101	6.7	.424	-134.1
12 000	.526	-155.7	2.705	14.5	.102	6.1	.423	-139.5
12 500	.511	-161.1	2.645	8.3	.105	4.1	.421	-146.5
13 000	.499	-166.2	2.595	3.1	.107	1.9	.429	-153.1
13 500	.487	-171.1	2.543	-2.3	.110	-0.5	.439	-157.9
14 000	.476	-175.9	2.496	-8.2	.113	-1.6	.448	-163.5
14 500	.463	179.9	2.464	-13.6	.115	-4.0	.460	-168.9
15 000	.449	175.4	2.441	-19.5	.120	-7.4	.468	-174.1
15 500	.433	169.9	2.408	-24.6	.122	-9.9	.484	-179.4
16 000	.420	164.6	2.383	-30.5	.125	-13.0	.486	175.2
16 500	.404	158.5	2.377	-36.4	.130	-16.5	.489	170.6
17 000	.385	151.0	2.365	-42.3	.134	-19.2	.499	164.2
17 500	.373	143.6	2.350	-48.6	.135	-22.7	.507	158.1
18 000	.357	135.1	2.321	-55.0	.143	-26.3	.518	152.3

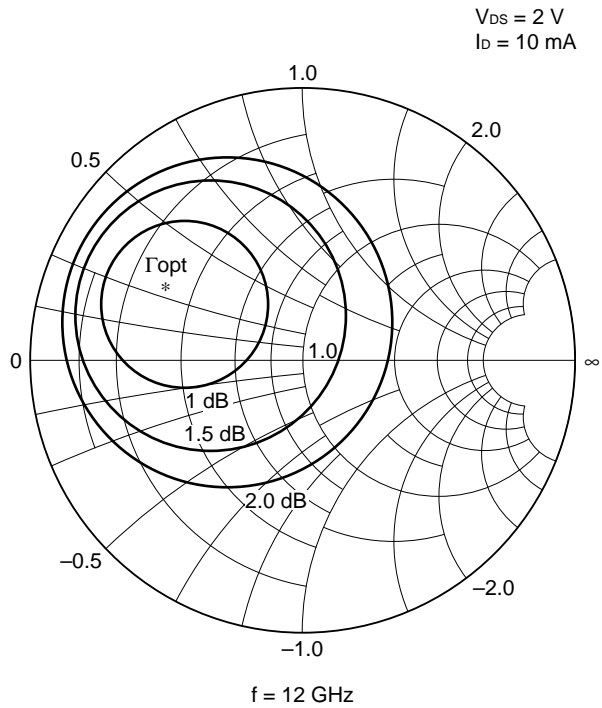
**AMP. Parameters**

$V_{DS} = 2\text{ V}$ ,  $I_D = 10\text{ mA}$

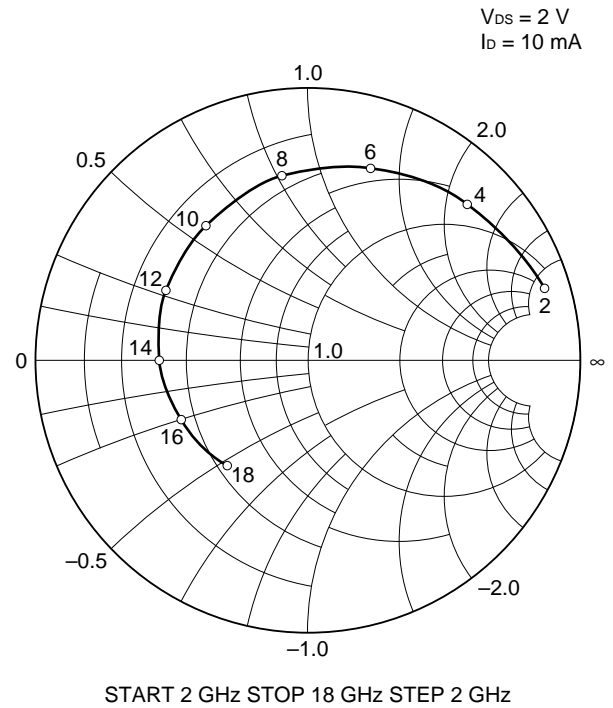
FREQUENCY MHz	GUmax. dB	GAmax. dB	S <sub>21</sub>   <sup>2</sup> dB	S <sub>12</sub>   <sup>2</sup> dB	K	Delay ns	Mason's U dB	G <sub>1</sub> dB	G <sub>2</sub> dB
500	41.44		13.44	-40.86	.07	.048	35.043	25.44	2.56
1 000	32.97		13.40	-34.30	.11	.048	38.352	17.05	2.52
1 500	28.97		13.28	-31.48	.16	.048		13.27	2.42
2 000	25.67		13.08	-29.02	.25	.045	31.191	10.30	2.30
2 500	24.04		12.92	-27.43	.30	.044	28.650	8.97	2.16
3 000	22.31		12.73	-25.82	.33	.044	36.156	7.55	2.04
3 500	21.03		12.51	-24.99	.39	.044	33.054	6.60	1.92
4 000	19.86		12.31	-24.09	.44	.042	29.569	5.80	1.75
4 500	18.79		12.09	-23.41	.49	.041	29.880	5.07	1.63
5 000	17.79		11.83	-22.84	.54	.041	28.912	4.47	1.48
5 500	16.90		11.58	-22.48	.60	.040	27.197	3.98	1.34
6 000	16.06		11.29	-22.17	.66	.038	25.792	3.54	1.23
6 500	15.39		11.01	-21.78	.70	.038	26.436	3.24	1.14
7 000	14.73		10.70	-21.64	.75	.035	26.491	2.94	1.09
7 500	14.17		10.43	-21.36	.79	.036	27.296	2.70	1.03
8 000	13.64		10.17	-21.11	.83	.034	25.875	2.48	1.00
8 500	13.22		9.90	-20.94	.86	.031	27.068	2.34	.98
9 000	12.82		9.68	-20.77	.89	.033	26.311	2.15	.98
9 500	12.48		9.49	-20.57	.91	.030	27.718	2.01	.98
10 000	12.12		9.31	-20.30	.93	.033	30.819	1.87	.94
10 500	11.79		9.15	-20.17	.97	.031	26.188	1.73	.90
11 000	11.47		8.98	-20.02	1.00	.032	25.806	1.61	.88
11 500	11.17	13.30	8.81	-19.88	1.03	.032	23.528	1.49	.86
12 000	10.91	12.82	8.64	-19.81	1.05	.030	22.859	1.40	.86
12 500	10.61	12.38	8.45	-19.60	1.07	.034	21.908	1.31	.85
13 000	10.41	12.28	8.28	-19.39	1.07	.029	22.287	1.24	.89
13 500	10.21	12.13	8.11	-19.14	1.06	.030	22.459	1.18	.93
14 000	10.03	12.01	7.94	-18.96	1.06	.033	22.098	1.11	.97
14 500	9.91	12.01	7.83	-18.76	1.04	.030	22.242	1.05	1.03
15 000	9.80	12.12	7.75	-18.39	1.02	.033	22.991	.98	1.07
15 500	9.69	12.20	7.63	-18.26	1.01	.028	22.729	.90	1.16
16 000	9.56	12.02	7.54	-18.06	1.02	.033	21.370	.84	1.17
16 500	9.48	12.23	7.52	-17.75	1.00	.033	21.084	.77	1.19
17 000	9.42		7.48	-17.45	.98	.033	20.924	.70	1.24
17 500	9.36		7.42	-17.38	.98	.035	19.871	.65	1.29
18 000	9.26		7.31	-16.92	.95	.036	20.113	.59	1.36

Noise Parameters

<TYPICAL CONSTANT NOISE FIGURE CIRCLE>



< $\Gamma_{opt}$ . vs. frequency>



<Noise Parameters>

$V_{DS} = 2\text{ V}$ ,  $I_D = 10\text{ mA}$

Freq. (GHz)	NFmin. (dB)	Ga (dB)	$\Gamma_{opt}$ .		R <sub>n</sub> /50
			MAG.	ANG. (deg.)	
2.0	0.31	18.5	0.85	18	0.39
4.0	0.33	16.1	0.82	45	0.32
6.0	0.38	14.2	0.77	71	0.27
8.0	0.43	12.5	0.70	96	0.20
10.0	0.51	11.7	0.64	118	0.13
12.0	0.60	11.0	0.58	152	0.08
14.0	0.74	10.1	0.54	175	0.08
16.0	0.90	9.4	0.51	-161	0.06
18.0	1.10	9.0	0.48	-138	0.06

**RECOMMENDED SOLDERING CONDITIONS**

The following conditions (see table below) must be met when soldering this product.

Please consult with our sales offices in case other soldering process is used, or in case soldering is done under different conditions.

**<TYPES OF SURFACE MOUNT DEVICE>**

For more details, refer to our document “SEMICONDUCTOR DEVICE MOUNTING TECHNOLOGY MANUAL” (C10535EJ7V01F00).

Soldering process	Soldering conditions	Symbol
Infrared ray reflow	Peak package's surface temperature: 230 °C or below, Reflow time: 30 seconds or below (210 °C or higher), Number of reflow process: 1, Exposure limit <sup>Note</sup> : None	IR30-00
Partial heating method	Terminal temperature: 230 °C or below, Flow time: 10 seconds or below, Exposure limit <sup>Note</sup> : None	

**Note** Exposure limit before soldering after dry-pack package is opened.

Storage conditions: 25 °C and relative humidity at 65 % or less.

**Caution** Do not apply more than a single process at once, except for “Partial heating method”.

**PRECAUTION** Avoid high static voltage and electric fields, because this device is Hetero Junction field effect transistor with shottky barrier gate.

**Caution**

**The Great Care must be taken in dealing with the devices in this guide.**

**The reason is that the material of the devices is GaAs (Gallium Arsenide), which is designated as harmful substance according to the law concerned.**

**Keep the Japanese law concerned and so on, especially in case of removal.**



[MEMO]

[MEMO]

[MEMO]

No part of this document may be copied or reproduced in any form or by any means without the prior written consent of NEC Corporation. NEC Corporation assumes no responsibility for any errors which may appear in this document.

NEC Corporation does not assume any liability for infringement of patents, copyrights or other intellectual property rights of third parties by or arising from use of a device described herein or any other liability arising from use of such device. No license, either express, implied or otherwise, is granted under any patents, copyrights or other intellectual property rights of NEC Corporation or others.

While NEC Corporation has been making continuous effort to enhance the reliability of its semiconductor devices, the possibility of defects cannot be eliminated entirely. To minimize risks of damage or injury to persons or property arising from a defect in an NEC semiconductor device, customers must incorporate sufficient safety measures in its design, such as redundancy, fire-containment, and anti-failure features.

NEC devices are classified into the following three quality grades:

"Standard", "Special", and "Specific". The Specific quality grade applies only to devices developed based on a customer designated "quality assurance program" for a specific application. The recommended applications of a device depend on its quality grade, as indicated below. Customers must check the quality grade of each device before using it in a particular application.

Standard: Computers, office equipment, communications equipment, test and measurement equipment, audio and visual equipment, home electronic appliances, machine tools, personal electronic equipment and industrial robots

Special: Transportation equipment (automobiles, trains, ships, etc.), traffic control systems, anti-disaster systems, anti-crime systems, safety equipment and medical equipment (not specifically designed for life support)

Specific: Aircrafts, aerospace equipment, submersible repeaters, nuclear reactor control systems, life support systems or medical equipment for life support, etc.

The quality grade of NEC devices is "Standard" unless otherwise specified in NEC's Data Sheets or Data Books. If customers intend to use NEC devices for applications other than those specified for Standard quality grade, they should contact an NEC sales representative in advance.

Anti-radioactive design is not implemented in this product.