



TELECOM TRANSFORMER LM302-1L

FEATURES

- Subminiature, Low Profile
- Vacuum encapsulated
- Meets or exceeds requirements of most international safety standards
- Operating Temperature -20°C to +85°C, Storage Temperature -40°C to +85° C
- 10.7mm seated Height
- Tested at 6500 VDC



APPLICATIONS

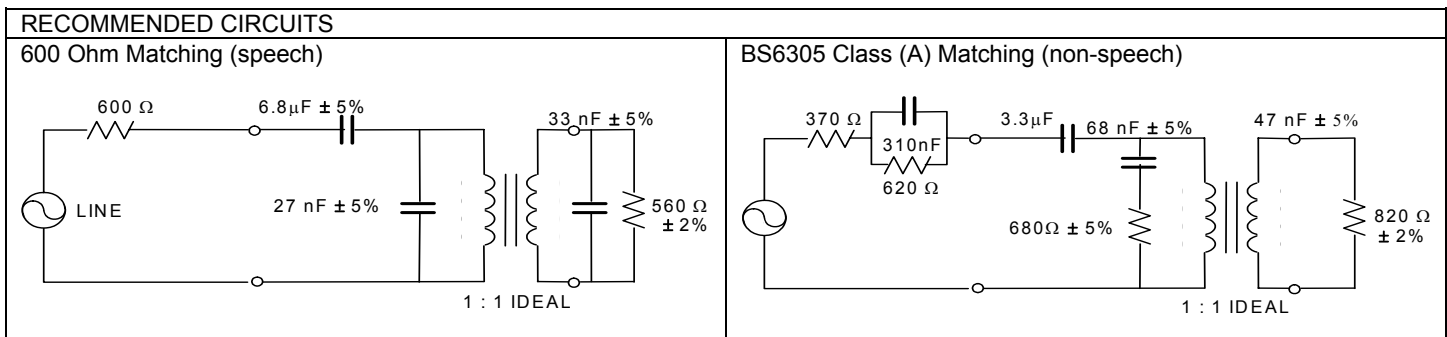
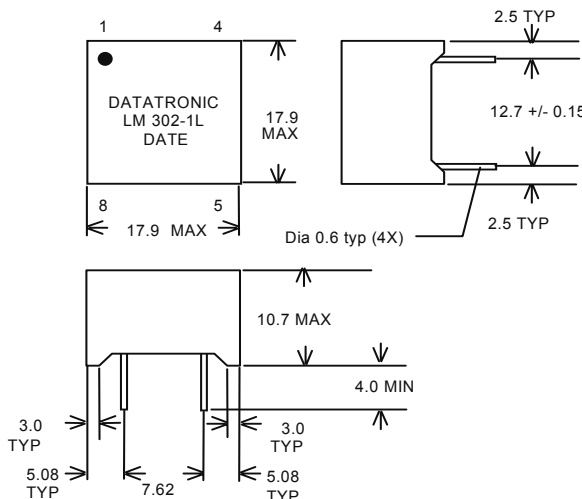
- V.32, V.32 bis and V.34 MODEMS
- TELECOMMUNICATIONS
- INSTRUMENTATION

ELECTRICAL SPECIFICATIONS AT 25°C

IMPEDANCE	PRIMARY	600 Ω	SHUNT INDUCTANCE (MIN)	2.8 H
	SECONDARY	600 Ω	SHUNT LOSS (TYP)	9000 Ω
TURNS RATIO		1 : 1	LEAKAGE INDUCTANCE (TYP) @1KHz	14 mH
INSERTION LOSS @2KHz (MAX)		1.5 dB	DC RESISTANCE** (± 10%) PRIMARY	66 Ω
FREQUENCY RESPONSE @200-3500Hz (MAX)		-0.3 dB	SECONDARY	66 Ω
WIDE BAND RESPONSE @200-10 000Hz (MAX)		-2.5 dB	INSULATION RESISTANCE @500VDC (MIN)	100 MΩ
RETURN LOSS @200-4000Hz (MIN)		21 dB	DIELECTRIC STRENGTH	6500 VDC
LONGITUDINAL BALANCE (MIN)		80 dB		
DISTORTION @ 1kHz 0 dBm		≤0.1%		

Note : \* For use with recommended circuit (BS6305 impedance Class A non-speech or Class B speech)  
 \*\* LM302-1L Is symmetrical meaning there is no real primary or secondary winding.

OUTLINE DIMENSIONS:



DATATRONIC: 28151 Highway 74, Romoland, CA 92585 Tel: 951-928-7700, Toll Free Tel: 888-889-5391, Fax: 951-928-7701  
 E-Mail: ddisales@datatronics.com  
 499 King's Road, Hong Kong Tel: (852) 2562 3858, (852) 2564 84 77 Fax: (852) 2565 7214, (852) 2563 1290  
 All specifications are subject to change without notice.