



ABSOLUTE MAXIMUM RATINGS AT TA=25°C

PARAMETER	VALUE	UNITS
Power Dissipation Per Segment (Except Dp)	180	mW
Peak Forward Current Per Segment (1/10 Duty Cycle, 0.1ms Pulse Width)	80	mA
Continuous Forward Current Per Segment	20	mA
Recommend Operating Current	12	mA
Reverse Voltage Per Segment (Except Dp)	15	V
Operating Temperature Range	-25 to +85	°C
Storage Temperature Range	-30 to +85	°C
Junction Temperature	+85	°C
Storage Time at 25±2°C / 65%RH±5%RH	6	Month
Soldering Temperature	260°C for 3 sec.	

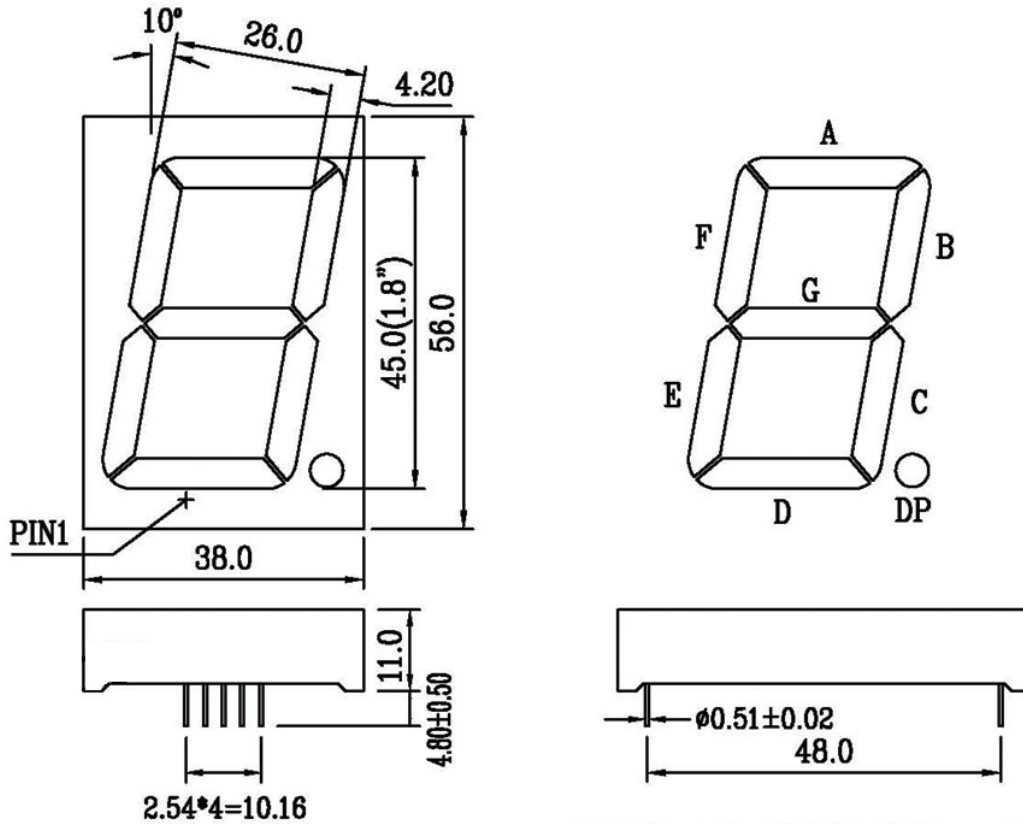
ELECTRICAL/OPTICAL CHARACTERISTICS AT TA=25°C

PARAMETER	SYMBOL	MIN.	TYP.	MAX.	UNITS	TEST CONDITION	GRADE
Luminous Intensity Per Segment	I _v	10384	11941	13499	μcd	I _F =10mA	P
Luminous Intensity Per Segment	I _v	13500	15524	17549	μcd	I _F =10mA	R
Luminous Intensity Per Segment	I _v	17550	20182	22814	μcd	I _F =10mA	S
Peak Emission Wavelength	λ _p		660		nm	I _F =20mA	
Spectral Line Half-Width	Δλ		20		nm	I _F =20mA	
Forward Voltage Per Segment (Except Dp)	V _F	5.1	5.4	6.0	V	I _F =20mA	
Reverse Current Per Segment	I _R			20	μA	V _R =15V	
Luminous Intensity Matching Rate	I _v -m			1.5:1		I _F =20mA	



APPEARANCE			TECHNOLOGIE	GaAlAs/GaAs
FACE	SEGMENT	PIN	SOURCE COLOR	Super-Red
Gray	White	∅0.51x10.28	DRIVER MODE	Com. Cathode
			PACKING	Tube(18102)

PACKAGE DIMENSIONS



NORMAL TOLERANCE:±0.25 ANGLE:±1°

INTERNAL CIRCUIT DIAGRAM

