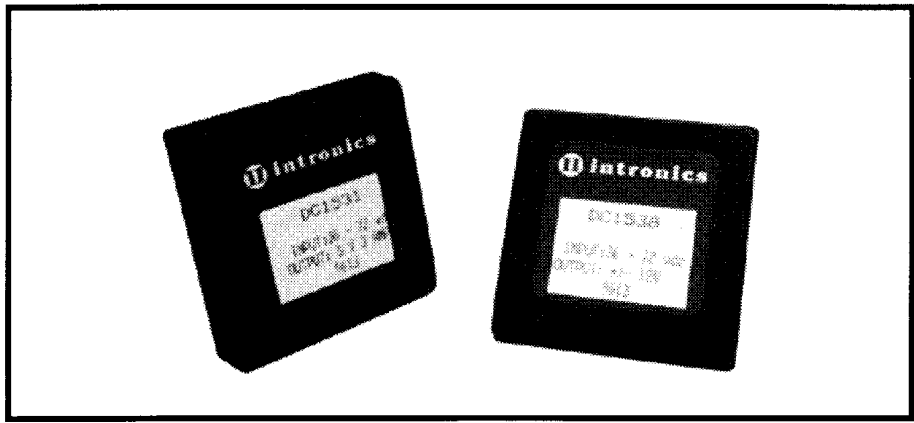


# Intronics

## DC1500 Series 15 Watt Single & Dual Output DC-DC Converters



### Features

- Full 2:1 input range
- Low profile 0.4" high
- Short Ckt & Overvoltage protected
- Fully regulated
- Low output ripple & noise
- High reliability

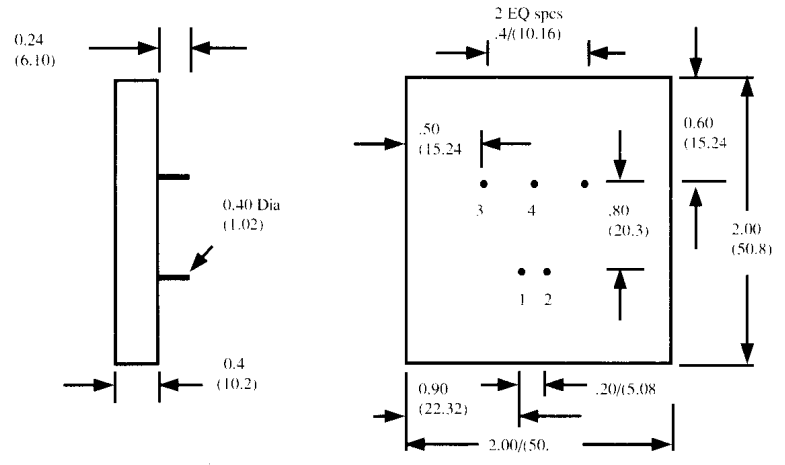
### Input/Output Specifications

- Input filter: Pi Network
- Output voltage accuracy: V1:  $\pm 1\%$   
V2:  $\pm 2\%$
- Line regulation(at Full Load):  
 $\pm .5\%$  max. (single)  
 $\pm 1\%$  max. (dual)
- Load regulation:  $\pm .5\%$  max.  
(1/2 to Full)  $\pm 2\%$  max.
- Temp. coef.:  $\pm .05\%$ /degree C
- Ripple & noise(20Mhz BW): 1% pp max.
- Min. Load: 10% of Full Load
- Short circuit protection: foldback

Model No.	Input Voltage (Vdc)	Output Voltage (Vdc)	Output Current (mA)
DC1511	9-18	5	3000
DC1512	9-18	12	1250
DC1513	9-18	15	1000
DC1518	9-18	$\pm 12$	$\pm 625$
DC1519	9-18	$\pm 15$	$\pm 500$
DC1521	18-36	5	3000
DC1522	36-72	12	1250
DC1523	36-72	15	1000
DC1528	36-72	$\pm 12$	$\pm 625$
DC1529	18-36	$\pm 15$	$\pm 500$
DC1531	36-72	5	3000
DC1532	36-72	12	1250
DC1533	36-72	15	1000
DC1538	36-72	$\pm 12$	$\pm 625$
DC1539	36-72	$\pm 15$	$\pm 500$

### General Specifications

- Efficiency: up to 81%
- Isolation voltage: 500 Vdc
- Isolation Resistance: 1000 Mohms
- Operating temp.: -25 to +71 °C
- Storage temp.: -55 to +125 °C
- Case type: Six-sided continuous metal shielding
- Size: 2" x 2" x .4"



PIN	Function	
	Single	Dual
1	+ Vin (input)	+ Vin (input)
2	- Vin (input)	- Vin (input)
3	+Vout (output)	+ Vout (output)
4	Trim	Common
5	- Vout (output)	- Vout (output)

Due to ongoing product improvement, specifications are subject to change.

For more Information call **1-800-367-0004**