

IEC Appliance Inlet C14 with Filter, Line Switch 1- or 2-pole, Front or Rear Side Mounting



new

Screw-On Version
from front side

from front side

Screw-On Version
from rear side**Description**

- Panel Mount:
Screw-on version from front or rear side, snap-in version from front side
- 3 Functions:
Appliance Inlet Protection class I, Line Switch 1- or 2-pole, Line filter in standard and medical version
- Quick connect terminals 6.3 x 0.8 mm
- Alternative: version without line filter [DC11](#)
- Substitute for type [KFB1](#); [KFB2](#)
- Alternative: Standard version [DC12](#)

Approvals

- VDE License Number: 40001522
- UL License Number: E72928

Characteristics

- Compact design with optimal shielding
- Rear side mounting for efficient cost-saving assembly
- All single elements are already wired
- Line switch non-illuminated or illuminated
- Marquard switch for high inrush currents
- Universal line filter for standard applications
- Ideal for application with high transient loads
- Qualified for use in equipment according IEC/EN 60950

Other versions on request

- Solder terminals
- Other rocker marking
- Capacitance CX1

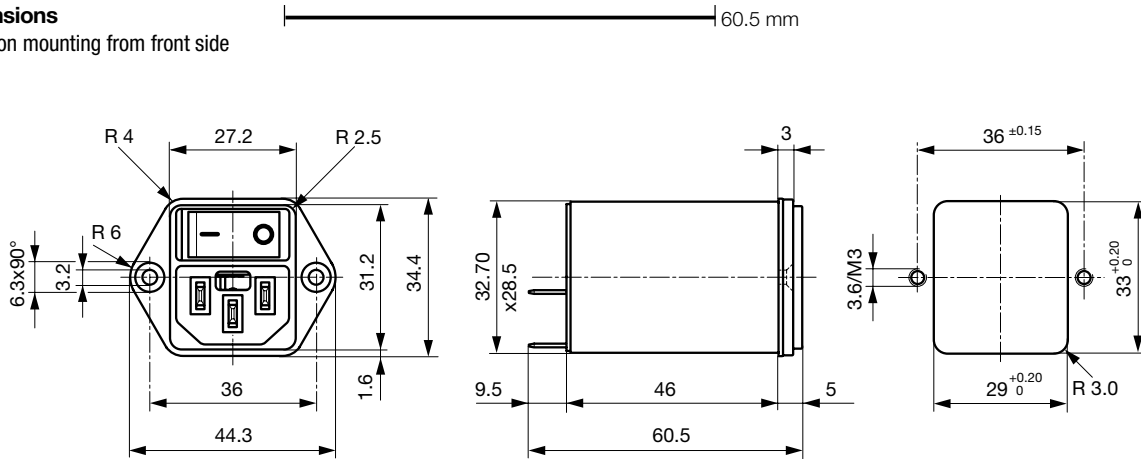
References[General Product Information](#)**Weblinks**[Approvals](#), [RoHS](#), [CHINA-RoHS](#), [Mating Connectors](#), [e-Store](#), [SCHURTER-Stock-Check](#), [Distributor-Stock-Check](#)**Technical Data**

Ratings IEC	1 - 10A @ Ta 40 °C / 250VAC; 50 Hz
Ratings UL/CSA	1 - 10A @ Ta 40 °C / 125VAC; 60 Hz
Leakage Current	medical < 5 µA (250 V / 60 Hz)
Dielectric Strength	> 1.7 kVDC between L-N > 2.7 kVDC between L/N-PE Test voltage (2 sec)
Allowable Operation Temp.	-25 °C to 85 °C
Climatic Category	25/085/21 acc. to IEC 60068-1
Degree of Protection	from front side IP 40 acc. to IEC 60529
Protection Class	Suitable for appliances with protection class 1 acc. to IEC 61140
Terminal	Quick connect terminals 6.3 x 0.8 mm
Panel Thickness s	Screw: max 8 mm Mounting screw torque max 0.5 Nm Snap-in: 1 mm to 3 mm
Material: Housing	Thermoplastic, black, UL 94V-0

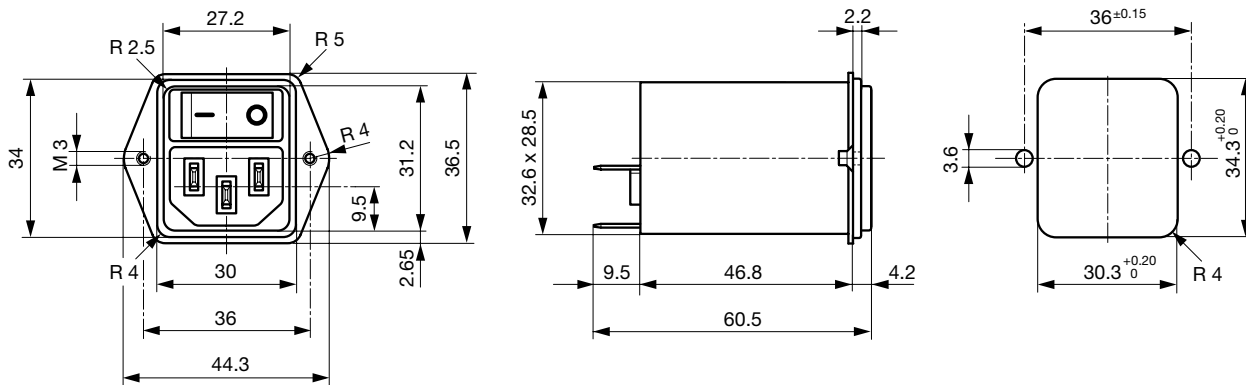
Appliance-Inlet/-Outlet	C14 acc. to IEC/EN 60320-1, UL 498, CSA C22.2 no. 42 (for cold conditions) pin-temperature 70 °C, 10A, Protection Class 1
Line Switch	Rocker switch 1 or 2 pole, non-illuminated or illuminated, acc. to IEC 61058-1 Technical details
Line Filter	IEC 60939, IEC 60601-1, UL 1283, UL 544, EN 133 200, CSA C22.2 no. 8 Technical details
MTBF	> 1'900'000h acc. to MIL-HB-217 F

Dimensions

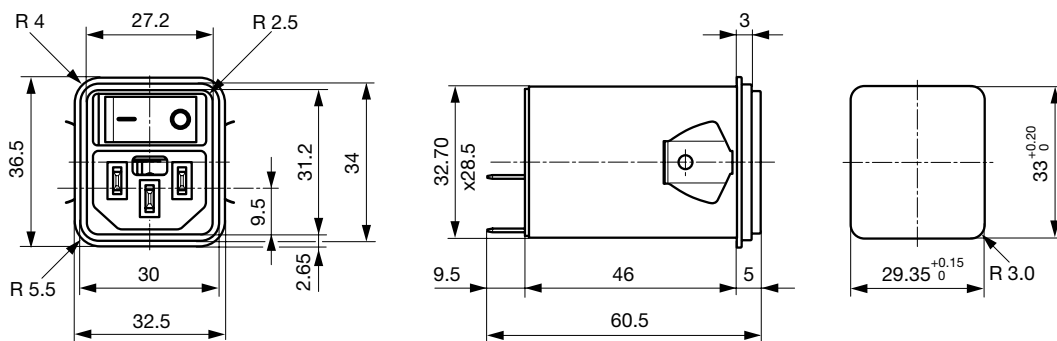
Screw-on mounting from front side



Screw-On Version from rear side (metal flange)



Snap-in mounting from front side

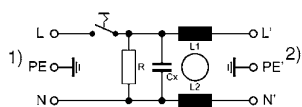


Technical Data of Filter-Components

Rated Current [A]	Filter-Type	Inductances L [mH]	Capacitance CX [nF]	Capacitance CY [nF]	R [mΩ]
1	Medical Version (M5)	2 x 10	100	-	1
2	Medical Version (M5)	2 x 4	100	-	1
4	Medical Version (M5)	2 x 1.5	100	-	1
6	Medical Version (M5)	2 x 0.8	100	-	1
10	Medical Version (M5)	2 x 0.3	100	-	1
1	Medical Version (M80)	2 x 10	100	0.47	1
2	Medical Version (M80)	2 x 4	100	0.47	1
4	Medical Version (M80)	2 x 1.5	100	0.47	1
6	Medical Version (M80)	2 x 0.8	100	0.47	1
10	Medical Version (M80)	2 x 0.3	100	0.47	1

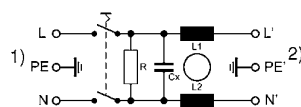
Diagrams

Medical filter 1-pole (M5)



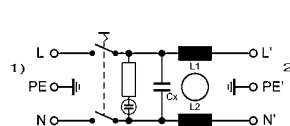
1) Line
2) Load

Medical filter 2-pole (M5)



1) Line
2) Load

Medical Filter 2-pole (M5) illuminated



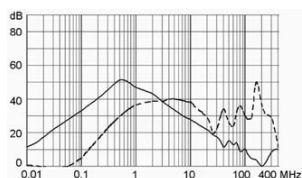
1) Line
2) Load

Attenuation Loss

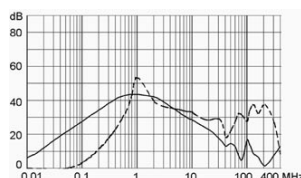
--- differential mode ____ common mode

Medical version (M5)

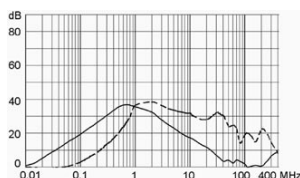
1 A



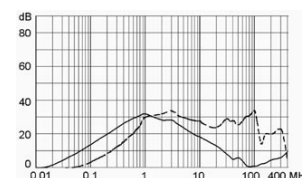
2 A



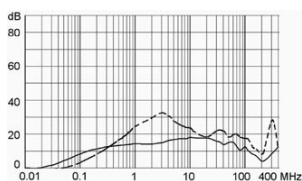
4 A



6 A



10 A



Variants

[Distributor-Stock-Check](#) | [SCHURTER-Stock-Check](#) | [e-Store](#)

Rated Current [A]	Filter-Type	Panel mounting	Mounting side	Line Switch	Illumination	Color	Order Number
1	Medical Version (M5)	Screw	Front-Side	1-pole	non-illuminated	-	DC12.1202.003
2	Medical Version (M5)	Screw	Front-Side	1-pole	non-illuminated	-	DC12.2202.003
4	Medical Version (M5)	Screw	Front-Side	1-pole	non-illuminated	-	DC12.3202.003
6	Medical Version (M5)	Screw	Front-Side	1-pole	non-illuminated	-	DC12.4202.003
10	Medical Version (M5)	Screw	Front-Side	1-pole	non-illuminated	-	DC12.5202.003
1	Medical Version (M5)	Screw	Front-Side	1-pole	illuminated	red	DC12.1222.003
1	Medical Version (M5)	Screw	Front-Side	1-pole	illuminated	green	DC12.1232.003
2	Medical Version (M5)	Screw	Front-Side	1-pole	illuminated	red	DC12.2222.003
2	Medical Version (M5)	Screw	Front-Side	1-pole	illuminated	green	DC12.2232.003
4	Medical Version (M5)	Screw	Front-Side	1-pole	illuminated	red	DC12.3222.003
4	Medical Version (M5)	Screw	Front-Side	1-pole	illuminated	green	DC12.3232.003

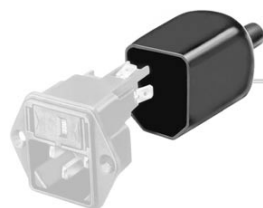
Rated Current [A]	Filter-Type	Panel mounting	Mounting side	Line Switch	Illumination	Color	Order Number
6	Medical Version (M5)	Screw	Front-Side	1-pole	illuminated	red	DC12.4222.003
6	Medical Version (M5)	Screw	Front-Side	1-pole	illuminated	green	DC12.4232.003
10	Medical Version (M5)	Screw	Front-Side	1-pole	illuminated	red	DC12.5222.003
10	Medical Version (M5)	Screw	Front-Side	1-pole	illuminated	green	DC12.5232.003
1	Medical Version (M5)	Screw	Front-Side	2-pole	non-illuminated	-	DC12.1202.001
2	Medical Version (M5)	Screw	Front-Side	2-pole	non-illuminated	-	DC12.2202.001
4	Medical Version (M5)	Screw	Front-Side	2-pole	non-illuminated	-	DC12.3202.001
6	Medical Version (M5)	Screw	Front-Side	2-pole	non-illuminated	-	DC12.4202.001
10	Medical Version (M5)	Screw	Front-Side	2-pole	non-illuminated	-	DC12.5202.001
1	Medical Version (M5)	Screw	Front-Side	2-pole	illuminated	red	DC12.1222.001
1	Medical Version (M5)	Screw	Front-Side	2-pole	illuminated	green	DC12.1232.001
2	Medical Version (M5)	Screw	Front-Side	2-pole	illuminated	red	DC12.2222.001
2	Medical Version (M5)	Screw	Front-Side	2-pole	illuminated	green	DC12.2232.001
4	Medical Version (M5)	Screw	Front-Side	2-pole	illuminated	red	DC12.3222.001
4	Medical Version (M5)	Screw	Front-Side	2-pole	illuminated	green	DC12.3232.001
6	Medical Version (M5)	Screw	Front-Side	2-pole	illuminated	red	DC12.4222.001
6	Medical Version (M5)	Screw	Front-Side	2-pole	illuminated	green	DC12.4232.001
10	Medical Version (M5)	Screw	Front-Side	2-pole	illuminated	red	DC12.5222.001
10	Medical Version (M5)	Screw	Front-Side	2-pole	illuminated	green	DC12.5232.001
1	Medical Version (M5)	Screw	Rear-Side	2-pole	non-illuminated	-	DC12.1202.201
2	Medical Version (M5)	Screw	Rear-Side	2-pole	non-illuminated	-	DC12.2202.201
4	Medical Version (M5)	Screw	Rear-Side	2-pole	non-illuminated	-	DC12.3202.201
6	Medical Version (M5)	Screw	Rear-Side	2-pole	non-illuminated	-	DC12.4202.201
10	Medical Version (M5)	Screw	Rear-Side	2-pole	non-illuminated	-	DC12.5202.201
1	Medical Version (M5)	Snap-in	Front-Side	1-pole	non-illuminated	-	DC12.1202.103
2	Medical Version (M5)	Snap-in	Front-Side	1-pole	non-illuminated	-	DC12.2202.103
4	Medical Version (M5)	Snap-in	Front-Side	1-pole	non-illuminated	-	DC12.3202.103
6	Medical Version (M5)	Snap-in	Front-Side	1-pole	non-illuminated	-	DC12.4202.103
10	Medical Version (M5)	Snap-in	Front-Side	1-pole	non-illuminated	-	DC12.5202.103
1	Medical Version (M5)	Snap-in	Front-Side	1-pole	illuminated	red	DC12.1222.103
1	Medical Version (M5)	Snap-in	Front-Side	1-pole	illuminated	green	DC12.1232.103
2	Medical Version (M5)	Snap-in	Front-Side	1-pole	illuminated	red	DC12.2222.103
2	Medical Version (M5)	Snap-in	Front-Side	1-pole	illuminated	green	DC12.2232.103
4	Medical Version (M5)	Snap-in	Front-Side	1-pole	illuminated	red	DC12.3222.103
4	Medical Version (M5)	Snap-in	Front-Side	1-pole	illuminated	green	DC12.3232.103
6	Medical Version (M5)	Snap-in	Front-Side	1-pole	illuminated	red	DC12.4222.103
6	Medical Version (M5)	Snap-in	Front-Side	1-pole	illuminated	green	DC12.4232.103
10	Medical Version (M5)	Snap-in	Front-Side	1-pole	illuminated	red	DC12.5222.103
10	Medical Version (M5)	Snap-in	Front-Side	1-pole	illuminated	green	DC12.5232.103
1	Medical Version (M5)	Snap-in	Front-Side	2-pole	non-illuminated	-	DC12.1202.101
2	Medical Version (M5)	Snap-in	Front-Side	2-pole	non-illuminated	-	DC12.2202.101
4	Medical Version (M5)	Snap-in	Front-Side	2-pole	non-illuminated	-	DC12.3202.101
6	Medical Version (M5)	Snap-in	Front-Side	2-pole	non-illuminated	-	DC12.4202.101
10	Medical Version (M5)	Snap-in	Front-Side	2-pole	non-illuminated	-	DC12.5202.101
1	Medical Version (M5)	Snap-in	Front-Side	2-pole	illuminated	red	DC12.1222.101
1	Medical Version (M5)	Snap-in	Front-Side	2-pole	illuminated	green	DC12.1232.101
2	Medical Version (M5)	Snap-in	Front-Side	2-pole	illuminated	red	DC12.2222.101
2	Medical Version (M5)	Snap-in	Front-Side	2-pole	illuminated	green	DC12.2232.101
4	Medical Version (M5)	Snap-in	Front-Side	2-pole	illuminated	red	DC12.3222.101
4	Medical Version (M5)	Snap-in	Front-Side	2-pole	illuminated	green	DC12.3232.101
6	Medical Version (M5)	Snap-in	Front-Side	2-pole	illuminated	red	DC12.4222.101
10	Medical Version (M5)	Snap-in	Front-Side	2-pole	illuminated	red	DC12.5222.101
10	Medical Version (M5)	Snap-in	Front-Side	2-pole	illuminated	green	DC12.5232.101
1	Medical Version (M80)	Screw	Rear-Side	2-pole	non-illuminated	-	DC12.1602.201
2	Medical Version (M80)	Screw	Rear-Side	2-pole	non-illuminated	-	DC12.2602.201

Rated Current [A]	Filter-Type	Panel mounting	Mounting side	Line Switch	Illumination	Color	Order Number
4	Medical Version (M80)	Screw	Rear-Side	2-pole	non-illuminated	-	DC12.3602.201
6	Medical Version (M80)	Screw	Rear-Side	2-pole	non-illuminated	-	DC12.4602.201
10	Medical Version (M80)	Screw	Rear-Side	2-pole	non-illuminated	-	DC12.5602.201

Packaging unit 10 Pcs

Accessories

Description



Assorted Covers
Rear Cover

0859.0075



Cord retaining kits
Cord retaining strain relief

Flat head, A

4700.0001

Countersunk, B

4700.0002

Mating Outlets/Connectors

Category / Description

[Appliance Outlet Overview complete](#)



IEC Appliance Outlet F, Screw-on Mounting, Front Side, Solder or Quick-connect Terminal

4787

IEC Appliance Outlet F, Snap-in Mounting, Front Side, Solder or Quick-connect Terminal

4788

IEC Appliance Outlet F or H, Screw-on Mounting, Front Side, Solder, PCB or Quick-connect Terminal

5091

IEC Appliance Outlet F or H, Screw-on Mounting, Front Side, Solder or Quick-connect Terminal

5092

[Appliance Outlet further types to DC12](#)

[Connector Overview complete](#)



IEC Connector C15, Rewireable, Straight

0101

IEC Connector C15A, Rewireable, Straight

0102

IEC Connector C15A, Rewireable, Straight

0102-G

IEC Connector C15A, Rewireable, Angled

0112

IEC Connector C13, Rewireable, Angled

4012

[Connector further types to DC12](#)

...

[Power Cord Overview complete](#)



Power Cord with IEC Connector C13, Angled

0311

Power Cord with IEC Connector C13, Angled

3011

Power Cord with IEC Connector C13, Angled

3012

Power Cord with IEC Connector C13, Angled

3013

Power Cord with IEC Connector C13

3020

[Power Cord further types to DC12](#)

...