



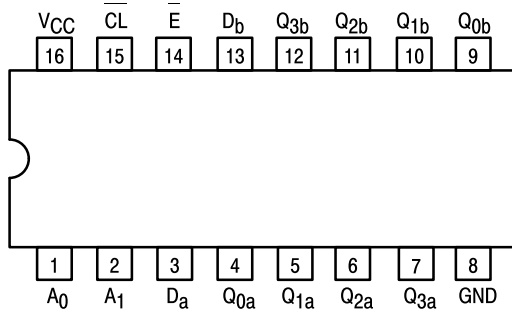
DUAL 4-BIT ADDRESSABLE LATCH

The SN54/74LS256 is a Dual 4-Bit Addressable Latch with common control inputs; these include two Address inputs (A_0, A_1), an active LOW Enable input (\bar{E}) and an active LOW Clear input (\bar{CL}). Each latch has a Data input (D) and four outputs (Q_0-Q_3).

When the Enable (\bar{E}) is HIGH and the Clear input (\bar{CL}) is LOW, all outputs (Q_0-Q_3) are LOW. Dual 4-channel demultiplexing occurs when the (\bar{CL}) and \bar{E} are both LOW. When \bar{CL} is HIGH and \bar{E} is LOW, the selected output (Q_0-Q_3), determined by the Address inputs, follows D . When the \bar{E} goes HIGH, the contents of the latch are stored. When operating in the addressable latch mode ($\bar{E}=\text{LOW}, \bar{CL}=\text{HIGH}$), changing more than one bit of the Address (A_0, A_1) could impose a transient wrong address. Therefore, this should be done only while in the memory mode ($\bar{E}=\bar{CL}=\text{HIGH}$).

- Serial-to-Parallel Capability
- Output From Each Storage Bit Available
- Random (Addressable) Data Entry
- Easily Expandable
- Active Low Common Clear
- Input Clamp Diodes Limit High Speed Termination Effects

CONNECTION DIAGRAM DIP (TOP VIEW)



NOTE:
The Flatpak version has the same pinouts (Connection Diagram) as the Dual In-Line Package.

PIN NAMES

A_0, A_1	Address Inputs
D_a, D_b	Data Inputs
\bar{E}	Enable Input (Active LOW)
\bar{CL}	Clear Input (Active LOW)
$Q_{0a}-Q_{3a}$	Parallel Latch Outputs (Note b)
$Q_{0b}-Q_{3b}$	

NOTES:

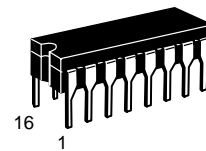
- a) 1 TTL Unit Load (U.L.) = 40 μA HIGH/1.6 mA LOW.
 b) The Output LOW drive factor is 2.5 U.L. for Military (54) and 5 U.L. for Commercial (74) Temperature Ranges.

LOADING (Note a)

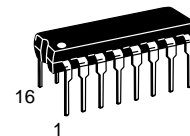
	HIGH	LOW
A_0, A_1	0.5 U.L.	0.25 U.L.
D_a, D_b	0.5 U.L.	0.25 U.L.
\bar{E}	1.0 U.L.	0.5 U.L.
\bar{CL}	0.5 U.L.	0.25 U.L.
$Q_{0a}-Q_{3a}$	10 U.L.	5 (2.5) U.L.

SN54/74LS256

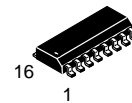
DUAL 4-BIT ADDRESSABLE LATCH LOW POWER SCHOTTKY



J SUFFIX
CERAMIC
CASE 620-09



N SUFFIX
PLASTIC
CASE 648-08

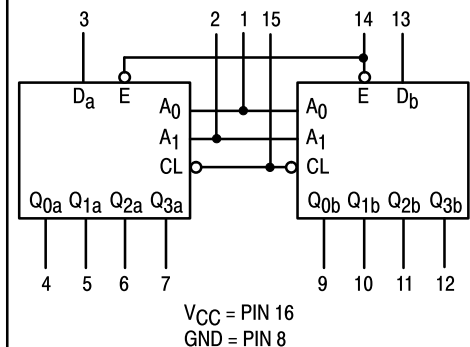


D SUFFIX
SOIC
CASE 751B-03

ORDERING INFORMATION

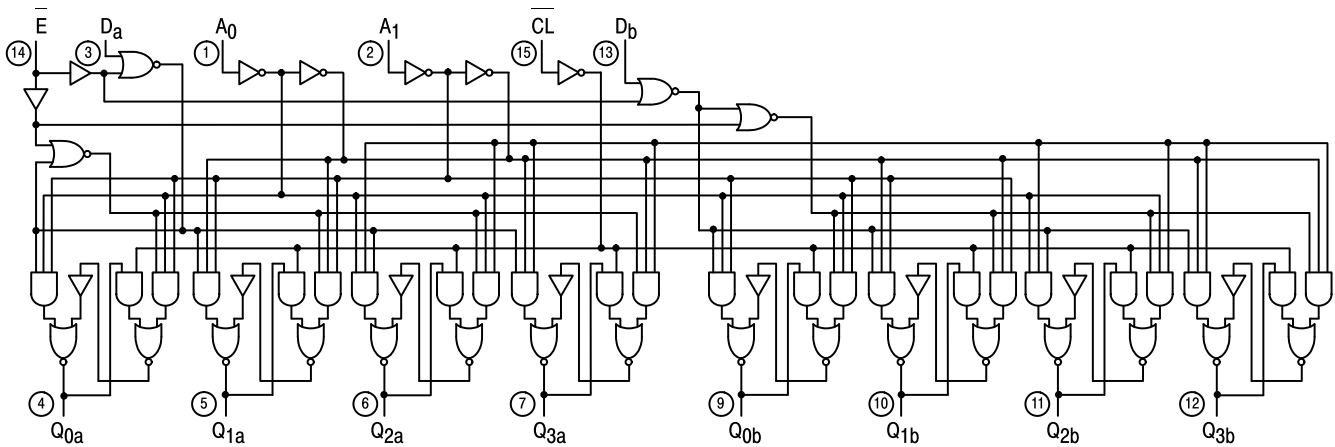
SN54LSXXXJ	Ceramic
SN74LSXXXN	Plastic
SN74LSXXXD	SOIC

LOGIC SYMBOL



SN54/74LS256

LOGIC DIAGRAM



V_{CC} = PIN 16
 GND = PIN 8
 ○ = PIN NUMBERS

TRUTH TABLE

CL	E	D	A ₀	A ₁	Q ₀	Q ₁	Q ₂	Q ₃	MODE
L	H	X	X	X	L	L	L	L	Clear
L	L	L	L	L	L	L	L	L	Demultiplex
L	L	H	L	L	H	L	L	L	
L	L	L	H	L	L	L	L	L	
L	L	H	H	L	L	H	L	L	
L	L	L	L	H	L	L	H	L	
L	L	L	H	H	L	L	L	L	
L	L	H	H	H	L	L	L	H	
H	H	X	X	X	Q _{N-1}	Q _{N-1}	Q _{N-1}	Q _{N-1}	Memory
H	L	L	L	L	L	Q _{N-1}	Q _{N-1}	Q _{N-1}	Addressable Latch
H	L	H	L	L	H	Q _{N-1}	Q _{N-1}	Q _{N-1}	
H	L	L	H	L	Q _{N-1}	L	Q _{N-1}	Q _{N-1}	
H	L	H	H	L	Q _{N-1}	H	Q _{N-1}	Q _{N-1}	
H	L	L	L	H	Q _{N-1}	Q _{N-1}	L	Q _{N-1}	
H	L	H	L	H	Q _{N-1}	Q _{N-1}	H	Q _{N-1}	
H	L	L	H	H	Q _{N-1}	Q _{N-1}	Q _{N-1}	L	
H	L	H	H	H	Q _{N-1}	Q _{N-1}	Q _{N-1}	H	

H = HIGH Voltage Level
 L = LOW Voltage Level
 X = Immaterial

MODE SELECTION

E	CL	MODE
L	H	Addressable Latch
H	H	Memory
L	L	Dual 4-Channel Demultiplexer
H	L	Clear

SN54/74LS256

GUARANTEED OPERATING RANGES

Symbol	Parameter		Min	Typ	Max	Unit
V _{CC}	Supply Voltage	54 74	4.5 4.75	5.0 5.0	5.5 5.25	V
T _A	Operating Ambient Temperature Range	54 74	-55 0	25 25	125 70	°C
I _{OH}	Output Current — High	54, 74			-0.4	mA
I _{OL}	Output Current — Low	54 74			4.0 8.0	mA

DC CHARACTERISTICS OVER OPERATING TEMPERATURE RANGE (unless otherwise specified)

Symbol	Parameter	Limits			Unit	Test Conditions	
		Min	Typ	Max			
V _{IH}	Input HIGH Voltage	2.0			V	Guaranteed Input HIGH Voltage for All Inputs	
V _{IL}	Input LOW Voltage	54		0.7	V	Guaranteed Input LOW Voltage for All Inputs	
		74		0.8			
V _{IK}	Input Clamp Diode Voltage		-0.65	-1.5	V	V _{CC} = MIN, I _{IN} = -18 mA	
V _{OH}	Output HIGH Voltage	54, 74	2.4	3.5	V	V _{CC} = MIN, I _{OH} = MAX, V _{IN} = V _{IH} or V _{IL} per Truth Table	
V _{OL}	Output LOW Voltage	54, 74		0.25	0.4	V	I _{OL} = 4.0 mA
		74		0.35	0.5	V	I _{OL} = 8.0 mA
I _{IH}	Input HIGH Current Others E Input			20 40	μA	V _{CC} = MAX, V _{IN} = 2.7 V	
	Others E Input			0.1 0.2	mA	V _{CC} = MAX, V _{IN} = 7.0 V	
I _{IL}	Input LOW Current Others E Input			-0.4 -0.8	mA	V _{CC} = MAX, V _{IN} = 0.4 V	
I _{OS}	Short Circuit Current (Note 1)	-20		-100	mA	V _{CC} = MAX	
I _{CC}	Power Supply Current			30	mA	V _{CC} = MAX	

Note 1: Not more than one output should be shorted at a time, nor for more than 1 second.

AC CHARACTERISTICS (T_A = 25°C)

Symbol	Parameter	Limits			Unit	Test Conditions
		Min	Typ	Max		
t _{PLH} t _{PHL}	Turn-Off Delay, Enable to Output Turn-On Delay, Enable to Output		20 16	27 24	ns ns	Figure 1
t _{PLH} t _{PHL}	Turn-Off Delay, Data to Output Turn-On Delay, Data to Output		20 13	30 20	ns ns	Figure 2
t _{PLH} t _{PHL}	Turn-Off Delay, Address to Output Turn-On Delay, Address to Output		20 14	30 24	ns ns	Figure 3
t _{PHL}	Turn-On Delay, Clear to Output		12	23	ns	Figure 5

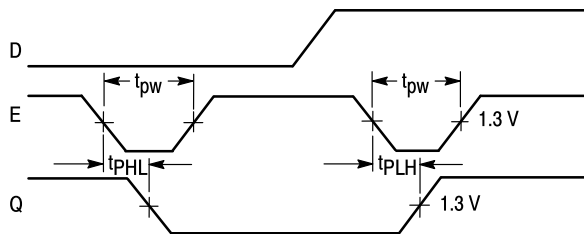
V_{CC} = 5.0 V,
C_L = 15 pF

SN54/74LS256

AC SET-UP REQUIREMENTS ($T_A = 25^\circ\text{C}$)

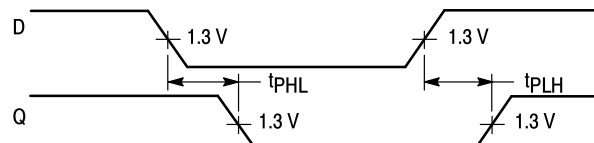
Symbol	Parameter	Limits			Unit	Test Conditions
		Min	Typ	Max		
t_s	Data Setup Time	20			ns	Figures 4 & 6 $V_{CC} = 5.0\text{ V}$
t_s	Address Setup Time	0			ns	
t_h	Data Hold Time	0			ns	
t_h	Address Hold Time	15			ns	
t_W	Enable Pulse Width	15			ns	

AC WAVEFORMS



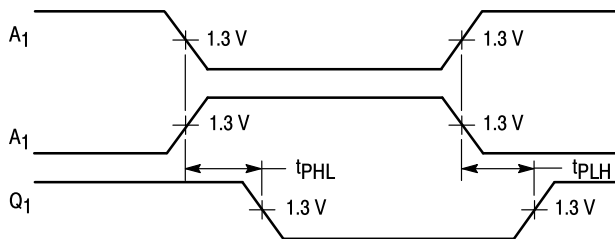
OTHER CONDITIONS: $\bar{C} = H, A = \text{STABLE}$

Figure 1. Turn-on and Turn-off Delays, Enable To Output and Enable Pulse Width



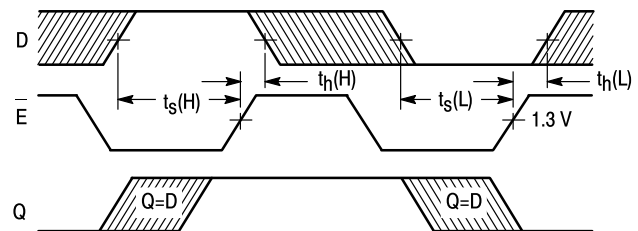
OTHER CONDITIONS: $\bar{E} = L, \bar{C} = H, A = \text{STABLE}$

Figure 2. Turn-on and Turn-off Delays, Data to Output



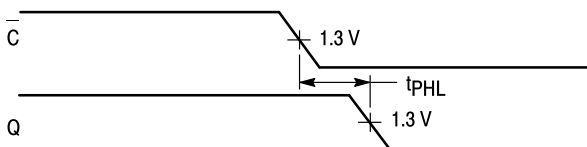
OTHER CONDITIONS: $\bar{E} = L, \bar{C} = L, D = H$

Figure 3. Turn-on and Turn-off Delays, Address to Output



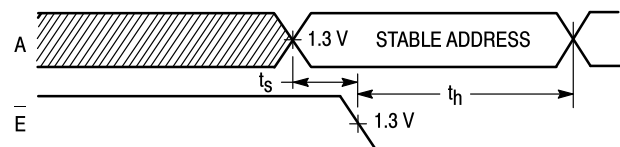
OTHER CONDITIONS: $\bar{C} = H, A = \text{STABLE}$

Figure 4. Setup and Hold Time, Data to Enable



OTHER CONDITIONS: $\bar{E} = H$

Figure 5. Turn-on Delay, Clear to Output



OTHER CONDITIONS: $\bar{C} = H$

Figure 6. Setup Time, Address to Enable (See Notes 1 and 2)

NOTES:

1. The Address to Enable Setup Time is the time before the HIGH-to-LOW Enable transition that the Address must be stable so that the correct latch is addressed and the other latches are not affected.
2. The shaded areas indicate when the inputs are permitted to change for predictable output performance.

**Case 751B-03 D Suffix
16-Pin Plastic
SO-16**



- NOTES:
1. DIMENSIONING AND TOLERANCING PER ANSI Y14.5M, 1982.
 2. CONTROLLING DIMENSION: MILLIMETER.
 3. DIMENSION A AND B DO NOT INCLUDE MOLD PROTRUSION.
 4. MAXIMUM MOLD PROTRUSION 0.15 (0.006) PER SIDE.
 5. 751B-01 IS OBSOLETE, NEW STANDARD 751B-03.

DIM	MILLIMETERS		INCHES	
	MIN	MAX	MIN	MAX
A	9.80	10.00	0.386	0.393
B	3.80	4.00	0.150	0.157
C	1.35	1.75	0.054	0.068
D	0.35	0.49	0.014	0.019
F	0.40	1.25	0.016	0.049
G	1.27 BSC		0.050 BSC	
J	0.19	0.25	0.008	0.009
K	0.10	0.25	0.004	0.009
M	0°	7°	0°	7°
P	5.80	6.20	0.229	0.244
R	0.25	0.50	0.010	0.019

**Case 648-08 N Suffix
16-Pin Plastic**



- NOTES:
1. DIMENSIONING AND TOLERANCING PER ANSI Y14.5M, 1982.
 2. CONTROLLING DIMENSION: INCH.
 3. DIMENSION "L" TO CENTER OF LEADS WHEN FORMED PARALLEL.
 4. DIMENSION "B" DOES NOT INCLUDE MOLD FLASH.
 5. ROUNDED CORNERS OPTIONAL.
 6. 648-01 THRU -07 OBSOLETE, NEW STANDARD 648-08.

DIM	MILLIMETERS		INCHES	
	MIN	MAX	MIN	MAX
A	18.80	19.55	0.740	0.770
B	6.35	6.85	0.250	0.270
C	3.69	4.44	0.145	0.175
D	0.39	0.53	0.015	0.021
F	1.02	1.77	0.040	0.070
G	2.54 BSC		0.100 BSC	
H	1.27 BSC		0.050 BSC	
J	0.21	0.38	0.008	0.015
K	2.80	3.30	0.110	0.130
L	7.50	7.74	0.295	0.305
M	0°	10°	0°	10°
S	0.51	1.01	0.020	0.040

**Case 620-09 J Suffix
16-Pin Ceramic Dual In-Line**



- NOTES:
1. DIMENSIONING AND TOLERANCING PER ANSI Y14.5M, 1982.
 2. CONTROLLING DIMENSION: INCH.
 3. DIMENSION L TO CENTER OF LEAD WHEN FORMED PARALLEL.
 4. DIM F MAY NARROW TO 0.76 (0.030) WHERE THE LEAD ENTERS THE CERAMIC BODY.
 5. 620-01 THRU -08 OBSOLETE, NEW STANDARD 620-09.

DIM	MILLIMETERS		INCHES	
	MIN	MAX	MIN	MAX
A	19.05	19.55	0.750	0.770
B	6.10	7.36	0.240	0.290
C	—	4.19	—	0.165
D	0.39	0.53	0.015	0.021
E	1.27 BSC		0.050 BSC	
F	1.40	1.77	0.055	0.070
G	2.54 BSC		0.100 BSC	
J	0.23	0.27	0.009	0.011
K	—	5.08	—	0.200
L	7.62 BSC		0.300 BSC	
M	0°	15°	0°	15°
N	0.39	0.88	0.015	0.035

Motorola reserves the right to make changes without further notice to any products herein. Motorola makes no warranty, representation or guarantee regarding the suitability of its products for any particular purpose, nor does Motorola assume any liability arising out of the application or use of any product or circuit, and specifically disclaims any and all liability, including without limitation consequential or incidental damages. "Typical" parameters can and do vary in different applications. All operating parameters, including "Typicals" must be validated for each customer application by customer's technical experts. Motorola does not convey any license under its patent rights nor the rights of others. Motorola products are not designed, intended, or authorized for use as components in systems intended for surgical implant into the body, or other applications intended to support or sustain life, or for any other application in which the failure of the Motorola product could create a situation where personal injury or death may occur. Should Buyer purchase or use Motorola products for any such unintended or unauthorized application, Buyer shall indemnify and hold Motorola and its officers, employees, subsidiaries, affiliates, and distributors harmless against all claims, costs, damages, and expenses, and reasonable attorney fees arising out of, directly or indirectly, any claim of personal injury or death associated with such unintended or unauthorized use, even if such claim alleges that Motorola was negligent regarding the design or manufacture of the part. Motorola and  are registered trademarks of Motorola, Inc. Motorola, Inc. is an Equal Opportunity/Affirmative Action Employer.

Literature Distribution Centers:

USA: Motorola Literature Distribution; P.O. Box 20912; Phoenix, Arizona 85036.

EUROPE: Motorola Ltd.; European Literature Centre; 88 Tanners Drive, Blakelands, Milton Keynes, MK14 5BP, England.

JAPAN: Nippon Motorola Ltd.; 4-32-1, Nishi-Gotanda, Shinagawa-ku, Tokyo 141, Japan.

ASIA PACIFIC: Motorola Semiconductors H.K. Ltd.; Silicon Harbour Center, No. 2 Dai King Street, Tai Po Industrial Estate, Tai Po, N.T., Hong Kong.

