

General Description

The MIC2954 is a "bulletproof" efficient voltage regulator with very low dropout voltage (typically 40mV at light loads and 375mV at 250mA), and low quiescent current (120µA typical). The quiescent current of the MIC2954 increases only slightly in dropout, thus prolonging battery life. Key MIC2954 features include protection against reversed battery, fold-back current limiting, and automotive load dump protection (60V positive transient).

The MIC2954-07/08BM is an adjustable version that includes an error flag output that warns of a low output voltage, which is often due to failing batteries on the input. This may also be used as a power-on reset. A logic-compatible shutdown input is provided which enables the regulator to be switched on and off. This part may be pin-strapped for 5V output, or programmed from 1.24V to 29V with the use of two external resistors.

The MIC2954 is available in two voltage tolerances, ±0.5% maximum and ±1% maximum. Both are guaranteed for junction temperatures from -40°C to +125°C.

The MIC2954 has a very low output voltage temperature coefficient and extremely good load and line regulation (0.04% typical).

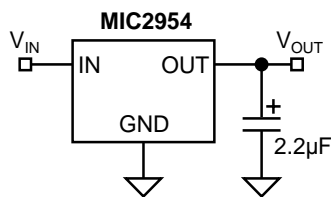
Features

- High-accuracy 5V, guaranteed 250mA output
- Low quiescent current
- Low dropout voltage
- Extremely tight load and line regulation
- Very low temperature coefficient
- Current and thermal limiting
- Input can withstand -20V reverse battery and +60V positive transients
- Error flag warns of low output voltage
- Logic-controlled electronic shutdown
- Output programmable from 1.24V to 29V (MIC2954-07/08)
- Available in TO-220, TO-92, and surface-mount SOT-223 and SOP-8 packages

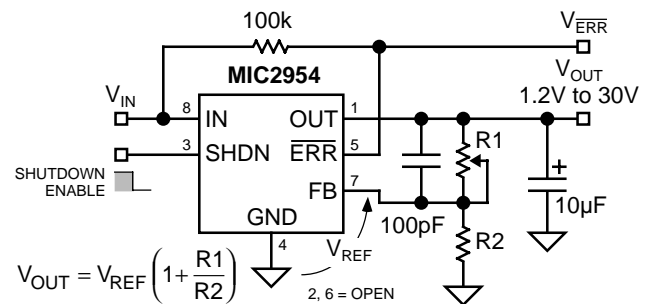
Applications

- Battery powered equipment
- Cellular telephones
- Laptop, notebook, and palmtop computers
- PCMCIA V_{CC} and V_{PP} regulation/switching
- Bar code scanners
- Automotive electronics
- SMPS post-regulator/dc-to-dc modules
- Voltage reference
- High-efficiency linear power supplies

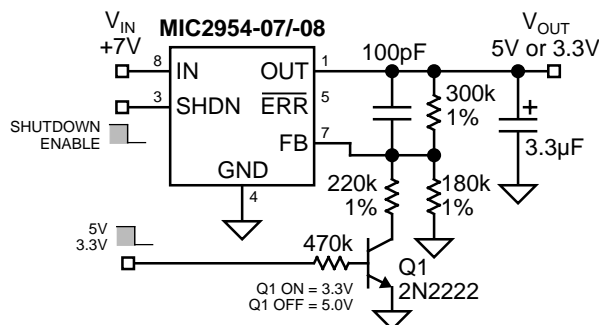
Typical Applications



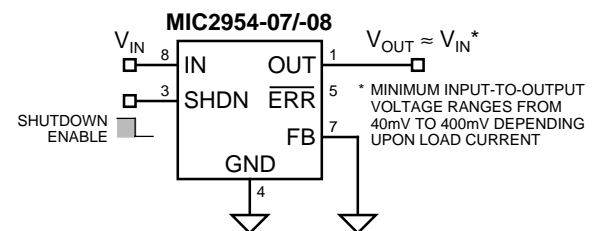
5V Fixed Regulator



Adjustable Regulator



5V or 3V Selectable Regulator with Shutdown

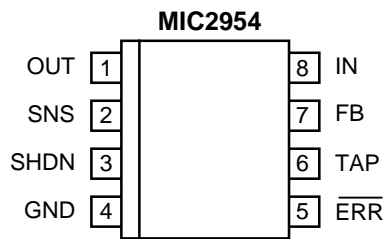


Wide Input-Voltage-Range Current Limiter

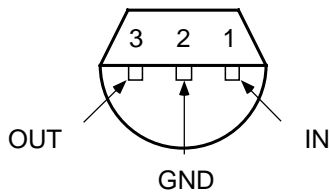
Ordering Information

Part Number	Accuracy	Junc. Temp. Range	Package
MIC2954-02BT	0.5%	-40°C to +125°C	TO-220
MIC2954-03BT	1.0%	-40°C to +125°C	TO-220
MIC2954-02BS	0.5%	-40°C to +125°C	SOT-223
MIC2954-03BS	1.0%	-40°C to +125°C	SOT-223
MIC2954-02BZ	0.5%	-40°C to +125°C	TO-92
MIC2954-03BZ	1.0%	-40°C to +125°C	TO-92
MIC2954-07BM	0.5%	-40°C to +125°C	SOP-8
MIC2954-08BM	1.0%	-40°C to +125°C	SOP-8

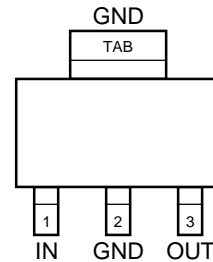
Pin Configuration



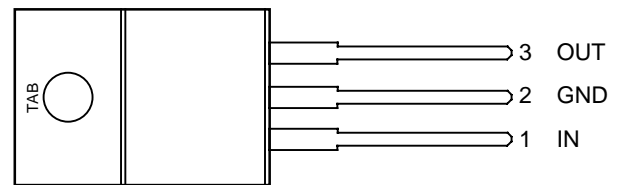
SOP-8 (M)



TO-92 (Z)



SOT-223 (S)



TO-220 (T)

Pin Description

Pin No. SOT-223	Pin No. SOP-8	Pin No. TO-220	Pin No. TO-92	Pin Name	Pin Function
1	8	1	1	IN	Supply Input
2, TAB	4	2	2	GND	Ground
3	1	3	3	OUT	Regulator Output
	2			SNS	Sense (Input): Output-sense-voltage end of internal resistive divider. Connect to OUT ($V_{OUT} = 5V$) for fixed 5V operation; also see TAP. Not used in adjustable configuration.
	3			SHDN	Shutdown (Input): Active-low input enables regulator. (Low = enable; high = shutdown.)
	5			ERR	Error Flag (Output): Open collector (active-low) output. Active state indicates an output (V_{OUT}) undervoltage condition. (Low = error, floating = normal.)
	6			TAP	Divider Tap (Output): Resistive voltage divider tap. With 5V applied to SNS, V_{TAP} is approximately 1.23V. Connect to FB for 5V operation. Not used in adjustable configuration.
	7			FB	Feedback (Input): Error amplifier input. Compared to internal 1.23V reference. Connect to external voltage divider for adjustable operation or internal voltage divider (TAP) for 5V operation (see SNS, TAP).

Absolute Maximum Ratings (Note 1)

Input Voltage (V_{IN})	-20V to +60V
Feedback Voltage (V_{FB}), Note 14,15	-1.5V to +26V
Shutdown Input Voltage (V_{SHDN})	-0.3V to +30V
Error Output Voltage (V_{ERR})	-0.3V to +30V
Power Dissipation (P_D), Note 4	Internally Limited
Storage Temperature (T_S)	-65°C to +150°C
Lead Temperature (soldering, 5 sec.)	260°C
ESD, Note 3	

Operating Ratings (Note 2)

Input Voltage (V_{IN})	+2.0V to +30V
Junction Temperature (T_J)	-40°C to +125°C
Package Thermal Temperature (θ_{JC}, θ_{JA})	Note 5

Electrical Characteristics

MIC2954-07/08: $V_{FB} = V_{TAP}$; $V_{SNS} = V_{OUT}$; $V_{SHDN} \leq 0.6V$. All versions: $V_{IN} = 6V$; $I_L = 1mA$; $C_L = 2.2\mu F$; $T_J = 25^\circ C$, **bold** values indicate $-40^\circ C \leq T_J \leq +125^\circ C$; **Note 8**; unless noted.

Symbol	Parameter	Conditions	Min	Typ	Max	Units
V_{OUT}	Output Voltage	MIC2954-02/-07 ($\pm 0.5\%$)	4.975 4.940	5.000	5.025 5.060	V V
		MIC2954-02/-07 ($\pm 0.5\%$), $1mA \leq I_L \leq 250mA$	4.930	5.000	5.070	V
		MIC2954-03/-08 ($\pm 1\%$)	4.950 4.900	5.000	5.050 5.100	V V
		MIC2954-03/-08 ($\pm 1\%$), $1mA \leq I_L \leq 250mA$	4.880	5.000	5.120	V
$\Delta V_{OUT}/\Delta T$	Output Voltage Temperature Coefficient, Note 6	MIC2954-02/-07 ($\pm 0.5\%$)		20	100	ppm/°C
		MIC2954-03/-08 ($\pm 1\%$)		20	150	ppm/°C
$\Delta V_{OUT}/V_{OUT}$	Line Regulation, Note 7	MIC2954-02/-07 ($\pm 0.5\%$), $V_{IN} = 6V$ to 26V		0.03	0.10 0.20	%/V %/V
		MIC2954-03/-08 ($\pm 1\%$), $V_{IN} = 6V$ to 26V		0.03	0.20 0.40	%/V %/V
$\Delta V_{OUT}/V_{OUT}$	Load Regulation, Note 8	MIC2954-02/-07 ($\pm 0.5\%$), $I_L = 1$ to 250mA,		0.04	0.16 0.20	%/V %/V
		MIC2954-03/-08 ($\pm 1\%$), $I_L = 1$ to 250mA,		0.04	0.20 0.30	%/V %/V
$V_{IN} - V_{OUT}$	Dropout Voltage, Note 9	$I_L = 1mA$		60	100 150	mV mV
		$I_L = 50mA$		220	250 420	mV mV
		$I_L = 100mA$		250	300 450	mV mV
		$I_L = 250mA$		375	450 600	mV mV
I_{GND}	Ground Pin Current, Note 10	$I_L = 1mA$		140	200 300	μA μA
		$I_L = 50mA$		0.5	1 2	mA mA
		$I_L = 100mA$		1.7	2.5 3.5	mA mA
		$I_L = 250mA$		5	9 12	mA mA
$I_{GND(DO)}$	Ground Pin Current at Dropout, Note 10	$V_{IN} = 4.5V$		180	300	μA
I_{LIMIT}	Current Limit, Note 11	$V_{OUT} = 0V$			750 800	mA mA

Symbol	Parameter	Conditions	Min	Typ	Max	Units
$\Delta V_{OUT}/\Delta P_D$	Thermal Regulation, Note 12			0.05	0.2	%/W
e_n	Output Noise Voltage (10Hz to 100kHz)	$I_L = 100\text{mA}$, $C_L = 2.2\mu\text{F}$		400		$\mu\text{V}(\text{rms})$
		$I_L = 100\text{mA}$, $C_L = 33\mu\text{F}$		260		$\mu\text{V}(\text{rms})$
	Reference Voltage	MIC2954-02/-07 ($\pm 0.5\%$)	1.220 1.200	1.235	1.250 1.260	V V
		MIC2954-03/-08 ($\pm 1\%$)	1.210 1.200	1.235	1.260 1.270	V V
	Reference Voltage	MIC2954-02/-07 ($\pm 0.5\%$), Note 13	1.190		1.270	V
		MIC2954-03/-08 ($\pm 1\%$), Note 13	1.185		1.285	V
	Feedback Pin Bias Current			20	40 60	nA nA
	Reference Voltage Temperature Coefficient, Note 12	MIC2954-02/-07 ($\pm 0.5\%$)		20		ppm/ $^{\circ}\text{C}$
		MIC2954-03/-08 ($\pm 1\%$)		50		ppm/ $^{\circ}\text{C}$
	Feedback Pin Bias Current Temperature Coefficient			0.1	40	nA/ $^{\circ}\text{C}$

Error Comparator

	Output Leakage Current	$V_{OH} = 30\text{V}$		0.01	1.00 2.00	μA μA
	Output Low Voltage	$V_{IN} = 4.5\text{V}$, $I_{OL} = 400\mu\text{A}$		150	250 400	mV mV
	Upper Threshold Voltage	Note 14		60	40 25	mV mV
	Lower Threshold Voltage	Note 14		75	95 140	mV mV
	Hysteresis	Note 14		15		mV

Shutdown Input

	Input Logic Voltage	low (on)		1.3	0.7	V
		high (off)	2.0			V
	Shutdown Pin Input Current	$V_{SHDN} = 2.4\text{V}$		30	50 100	μA μA
		$V_{SHDN} = 30\text{V}$		450	600 750	μA μA
	Regular Output Current in Shutdown	Note 15		3	10 20	μA μA

Note 1. Exceeding the absolute maximum rating may damage the device.

Note 2. The device is not guaranteed to function outside its operating rating.

Note 3. Devices are ESD sensitive. Handling precautions recommended.

Note 4. $P_{D(\text{max})} = (T_{J(\text{max})} - T_A) \div \theta_{JC}$. Exceeding $T_{J(\text{max})}$ will cause thermal shutdown.

Note 5. Thermal resistance (θ_{JC}) of the TO-220 package is $2.5^{\circ}\text{C}/\text{W}$, and $15^{\circ}\text{C}/\text{W}$ for the SOT-223. Thermal resistance (θ_{JC}) of the TO-92 package is $180^{\circ}\text{C}/\text{W}$ with 0.4" leads and $160^{\circ}\text{C}/\text{W}$ with 0.25" leads. Thermal resistance (θ_{JA}) of the SOP-8 is $160^{\circ}\text{C}/\text{W}$ mounted on a printed circuit board (See "Application Information: Thermal Calculation").

Note 6. Output voltage temperature coefficient is defined as the worst case voltage change divide by the total temperature range.

Note 7. Line regulation for the MIC2954 is tested at 125°C for $I_L = 1\text{mA}$. For $I_L = 100\mu\text{A}$ and $T_J = 125^{\circ}\text{C}$, line regulation is guaranteed by design to 0.2%. See "Typical Characteristics" for line regulation versus temperature and load current.

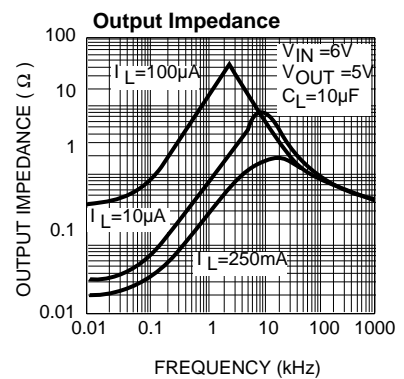
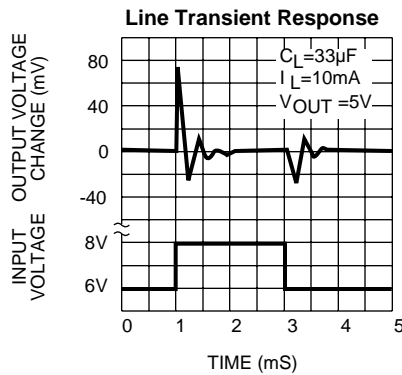
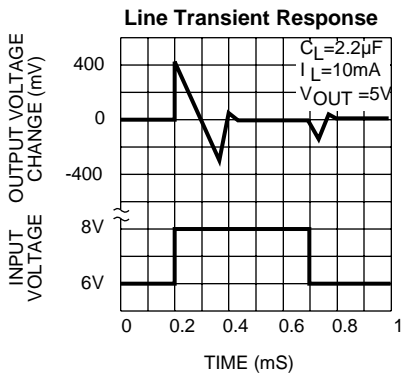
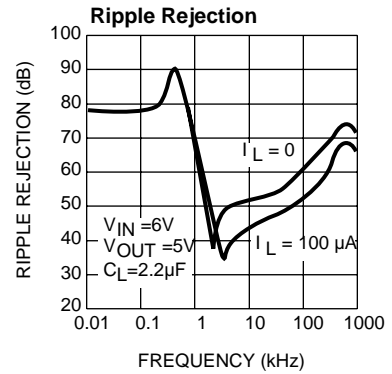
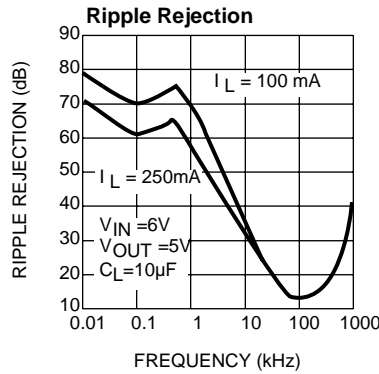
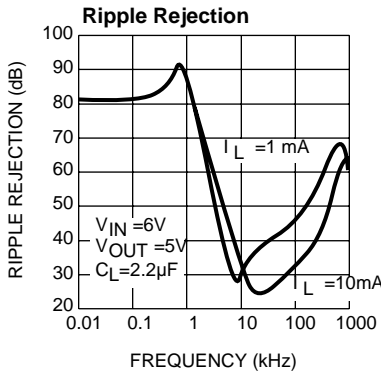
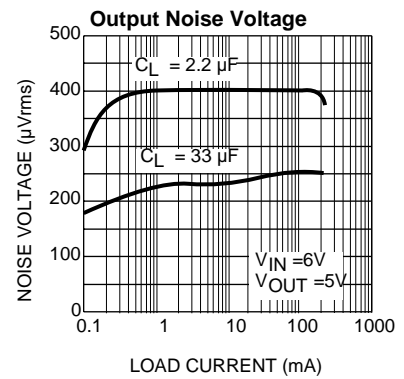
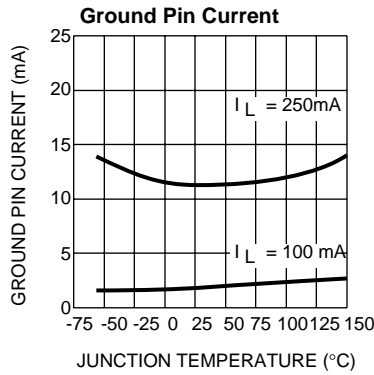
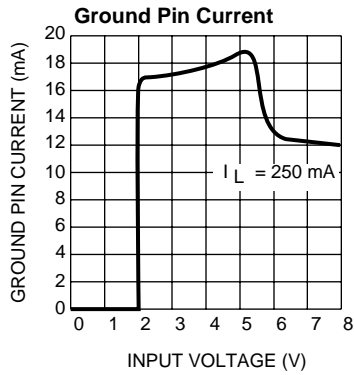
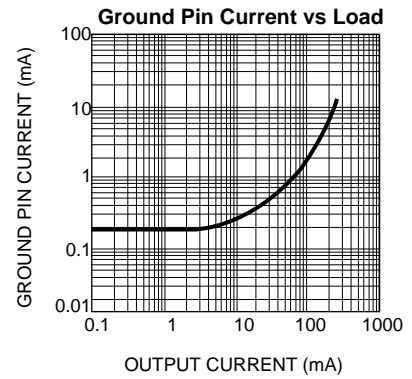
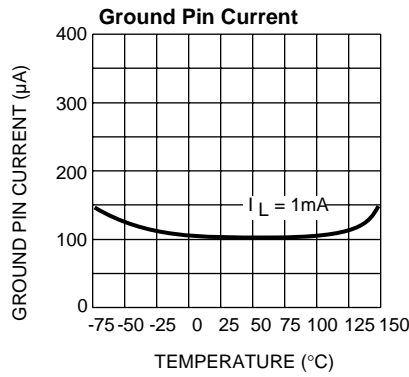
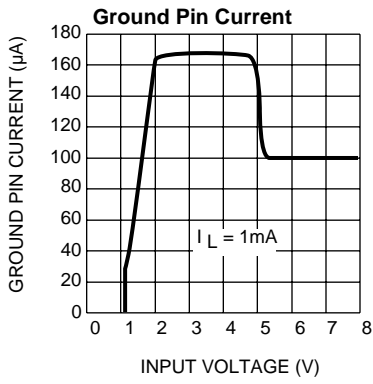
Note 8. Regulation is measured at constant junction temperature using low duty cycle pulse testing. Changes in output voltage due to heating effects are covered by the thermal regulation specification.

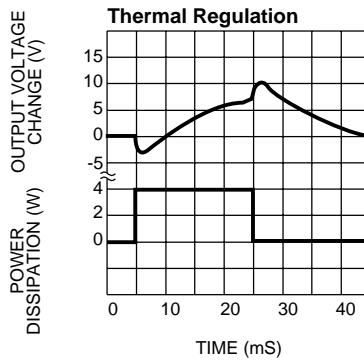
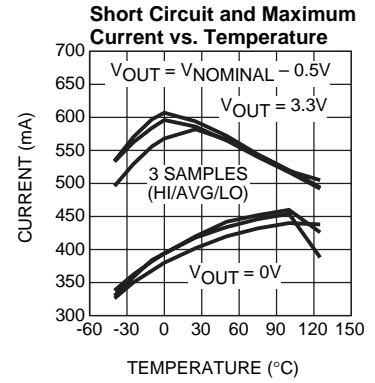
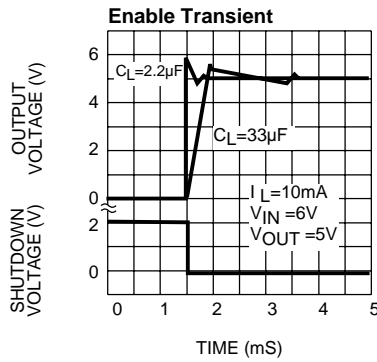
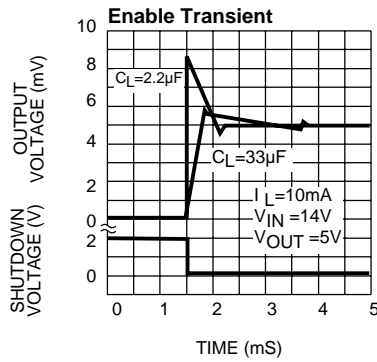
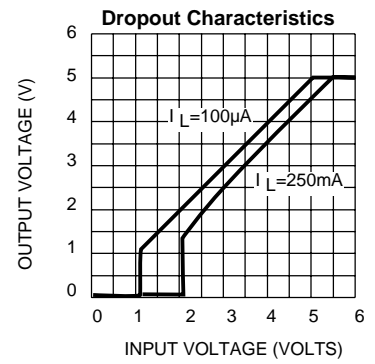
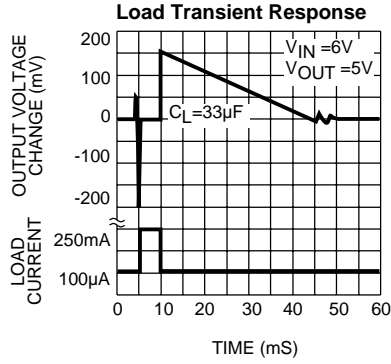
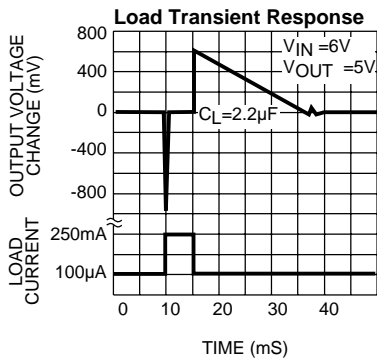
Note 9. Dropout Voltage is defined as the input to output differential at which the output voltage drops 100 mV below its nominal value measured at 1V differential. At very low values of programmed output voltage, the minimum input supply voltage of 2 V (2.3V over temperature) must be taken into account.

Note 10. Ground pin current is the regulator quiescent current. The total current drawn from the source is the sum of the load current plus the ground pin current.

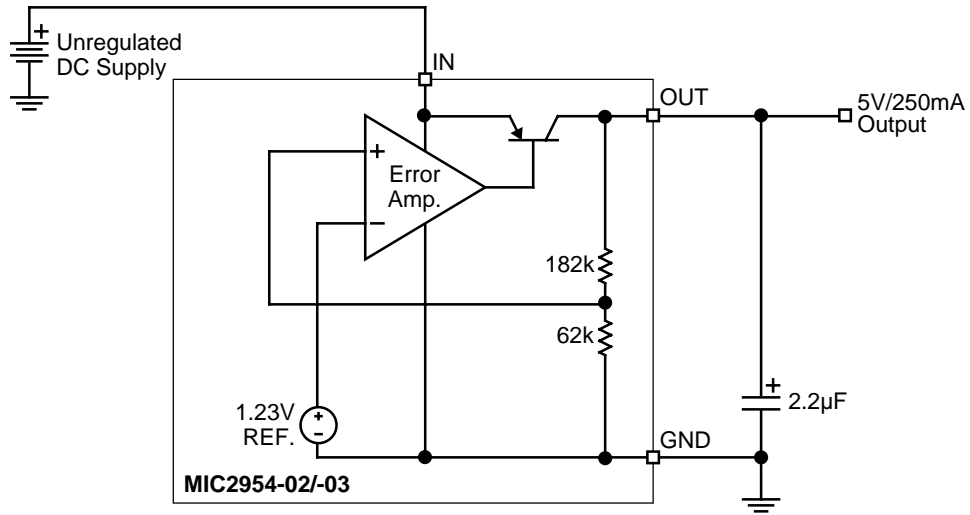
- Note 11.** The MIC2954 features fold-back current limiting. The short circuit ($V_{OUT} = 0V$) current limit is less than the maximum current with normal output voltage.
- Note 12.** Thermal regulation is defined as the change in output voltage at a time t after a change in power dissipation is applied, excluding load or line regulation effects. Specifications are for a 200mA load pulse at $V_{IN} = 20V$ (a 4W pulse) for $t = 10ms$.
- Note 13.** $V_{REF} \leq V_{OUT} \leq (V_{IN} - 1V)$, $2.3V \leq V_{IN} \leq 30V$, $100 \mu A < I_L \leq 250 mA$, $T_J \leq T_{J(max)}$.
- Note 14.** Comparator thresholds are expressed in terms of a voltage differential at the FB pin below the nominal reference voltage measured at 6V input. To express these thresholds in terms of output voltage change, multiply by the error amplifier gain $= V_{OUT}/V_{REF} = (R1 + R2)/R2$. For example, at a programmed output voltage of 5V, the error output is guaranteed to go low when the output drops by $95mV \times 5V/1.235V = 384mV$. Thresholds remain constant as a percent of V_{OUT} as V_{OUT} is varied, with the dropout warning occurring at typically 5% below nominal, 7.5% guaranteed.
- Note 15.** $V_{SHDN} \geq 2V$, $V_{IN} \leq 30 V$, $V_{OUT} = 0$, with the FB pin connected to TAP.
- Note 16.** When used in dual supply systems where the regulator load is returned to a negative supply, the output voltage must be diode clamped to ground.
- Note 17.** Maximum positive supply voltage of 60V must be of limited duration (<10ms) and duty cycle (<1%). The maximum continuous supply voltage is 30V.

Typical Characteristics

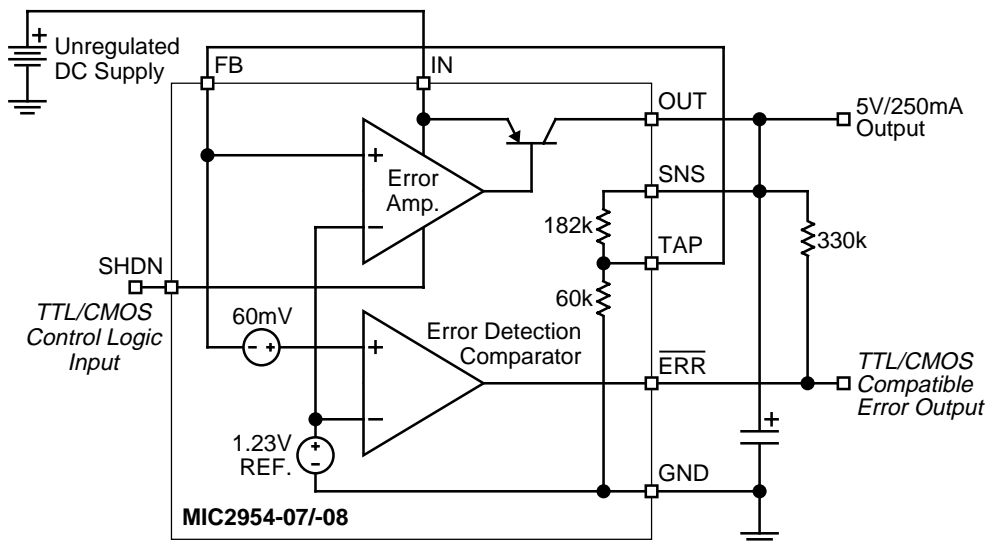




Block Diagrams



MIC2954-02 and MIC2954-03



MIC2954-07 and MIC2954-08

Applications Information

External Capacitors

A 2.2 μ F (or greater) capacitor is required between the MIC2954 output and ground to prevent oscillations due to instability. Most types of tantalum or aluminum electrolytics will be adequate; film types will work, but are costly and therefore not recommended. Many aluminum electrolytics have electrolytes that freeze at about -30°C , so solid tantalums are recommended for operation below -25°C . The important parameters of the capacitor are an effective series resistance of about 5 Ω or less and a resonant frequency above 500kHz. The value of this capacitor may be increased without limit.

At lower values of output current, less output capacitance is required for output stability. The capacitor can be reduced to 0.5 μ F for current below 10mA or 0.15 μ F for currents below 1mA. Adjusting the MIC2954-07/-08 to voltages below 5V runs the error amplifier at lower gains so that more output capacitance is needed. For the worst-case situation of a 250mA load at 1.23V output (output shorted to feedback) a 5 μ F (or greater) capacitor should be used.

The MIC2954 will remain in regulation with a minimum load of 1mA. When setting the output voltage of the MIC2954-07/-08 version with external resistors, the current through these resistors may be included as a portion of the minimum load.

A 0.1 μ F capacitor should be placed from the MIC2954 input to ground if there is more than 10 inches of wire between the input and the ac filter capacitor or if a battery is used as the input.

Error Detection Comparator Output (MIC2954-07/-08)

A logic-low output will be produced by the comparator whenever the MIC2954-07/-08 output falls out of regulation by more than approximately 5%. This figure is the comparator's built-in offset of about 60mV divided by the 1.235V reference voltage. (Refer to the block diagram on page 1). This trip level remains "5% below normal" regardless of the programmed output voltage of the MIC2954-07/-08. For example, the error flag trip level is typically 4.75V for a 5V output or 11.4V for a 12V output. The out of regulation condition may be due either to low input voltage, current limiting, or thermal limiting.

Figure 1 is a timing diagram depicting the $\overline{\text{ERR}}$ signal and the regulated output voltage as the MIC2954-07/-08 input is ramped up and down. The $\overline{\text{ERR}}$ signal becomes valid (low) at about 1.3V input. It goes high at about 5V input (the input voltage at which $V_{\text{OUT}} = 4.75$). Since the MIC2954-07/-08's dropout voltage is load-dependent (see curve in "Typical Characteristics"), the input voltage trip point (about 5V) will vary with the load current. The output voltage trip point (approximately 4.75V) does not vary with load.

The error comparator has an open-collector output which requires an external pull-up resistor. Depending on system requirements, this resistor may be returned to the 5V output or some other supply voltage. In determining a value for this resistor, note that while the output is rated to sink 400 μ A, this sink current adds to battery drain in a low battery condition. Suggested values range from 100k to 1M Ω . The resistor is not required if this output is unused.

Programming the Output Voltage (MIC2954-07/-08)

The MIC2954-07/-08 may be pin-strapped for 5V using its internal voltage divider by tying pin 1 (OUT) to pin 2 (SNS) and pin 7 (FB) to pin 6 (TAP). Alternatively, it may be programmed for any output voltage between its 1.235V reference and its 30V maximum rating. An external pair of resistors is required, as shown in Figure 3.

The complete equation for the output voltage is

$$V_{\text{OUT}} = V_{\text{REF}} \left(1 + \frac{R1}{R2} \right) + I_{\text{FB}} R1$$

where:

V_{REF} = nominal 1.235V reference voltage

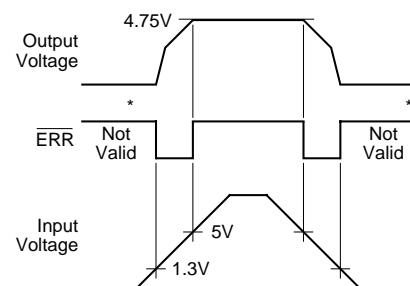
I_{FB} = nominal FB pin bias current (-20nA)

The minimum recommended load current of 1 μ A forces an upper limit of 1.2M Ω on the value of R2, if the regulator must work with no load (a condition often found in CMOS in standby), I_{FB} will produce a 2% typical error in V_{OUT} which may be eliminated at room temperature by trimming R1. For better accuracy, choosing R2 = 100k reduces this error to 0.17% while increasing the resistor program current to 12 μ A. Since the MIC2954-07/-08 typically draws 60 μ A at no load with pin 2 (SNS) open-circuited, this is a negligible addition.

Reducing Output Noise

In reference applications it may be advantageous to reduce the ac noise present at the output. One method is to reduce the regulator bandwidth by increasing the size of the output capacitor. This is relatively inefficient, as increasing the capacitor from 1 μ F to 220 μ F only decreases the noise from 430 μ V to 160 μ V_{RMS} for a 100kHz bandwidth at 5V output. Noise can be reduced fourfold by a bypass capacitor across R1, since it reduces the high frequency gain from 4 to unity. Pick:

$$C_{\text{BYPASS}} \cong \frac{1}{2\pi R1 \times 200\text{Hz}}$$



*See Application Information

Figure 1. $\overline{\text{ERR}}$ Output Timing

or about 0.01 μ F. When doing this, the output capacitor must be increased to 3.3 μ F to maintain stability. These changes reduce the output noise from 430 μ V to 100 μ V rms for a 100kHz bandwidth at 5V output. With the bypass capacitor added, noise no longer scales with output voltage so that improvements are more dramatic at higher output voltages.

Automotive Applications

The MIC2954 is ideally suited for automotive applications for a variety of reasons. It will operate over a wide range of input voltages with very low dropout voltages (40mV at light loads), and very low quiescent currents (75 μ A typical). These features are necessary for use in battery powered systems, such as automobiles. It is a "bulletproof" device with the ability to survive both reverse battery (negative transients up to 20V below ground), and load dump (positive transients up to 60V) conditions. A wide operating temperature range with low temperature coefficients is yet another reason to use these versatile regulators in automotive designs.

Thermal Calculations

Layout Considerations

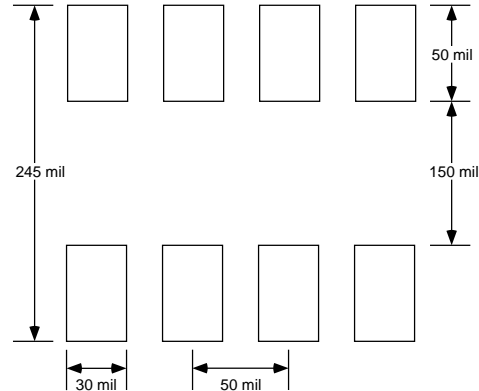
The MIC2954-07BM/-08BM (8-pin surface-mount package) has the following thermal characteristics when mounted on a single layer copper-clad printed circuit board.

PC Board Dielectric Material	θ_{JA}
FR4	160°C/W
Ceramic	120°C/W

Multilayer boards having a ground plane, wide traces near the pads, and large supply bus lines provide better thermal conductivity.

Our calculations will use the "worst case" value of 160°C/W, which assumes no ground plane, minimum trace widths, and a FR4 material board.

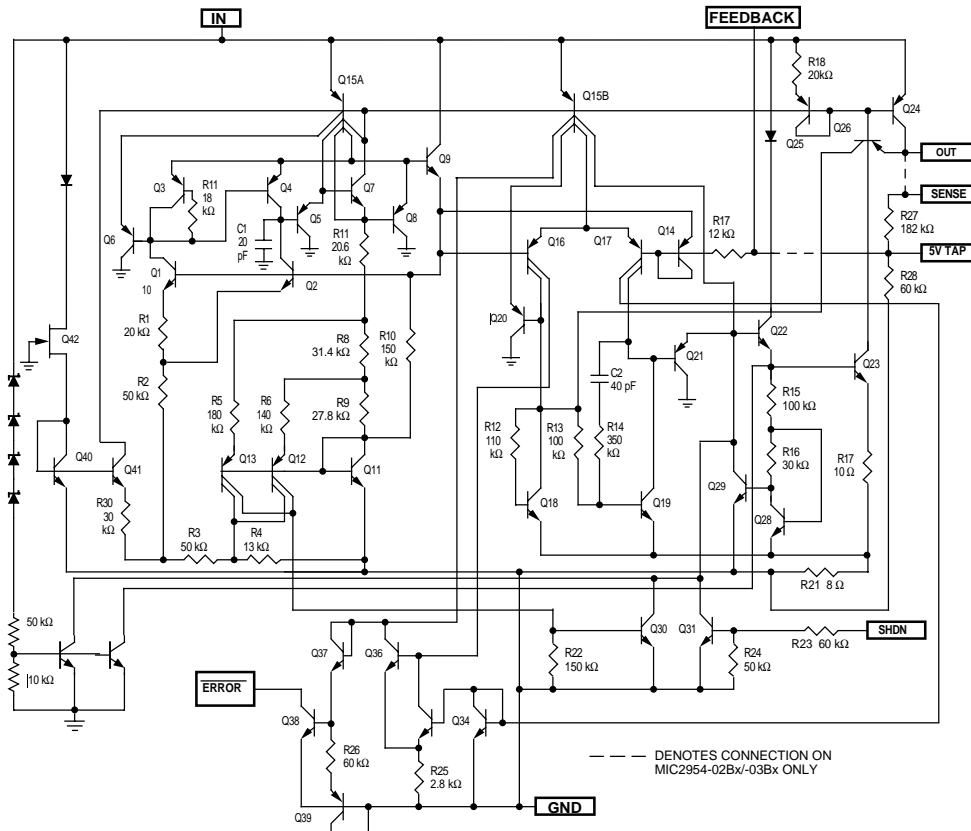
Pad Layout (minimum recommended geometry)



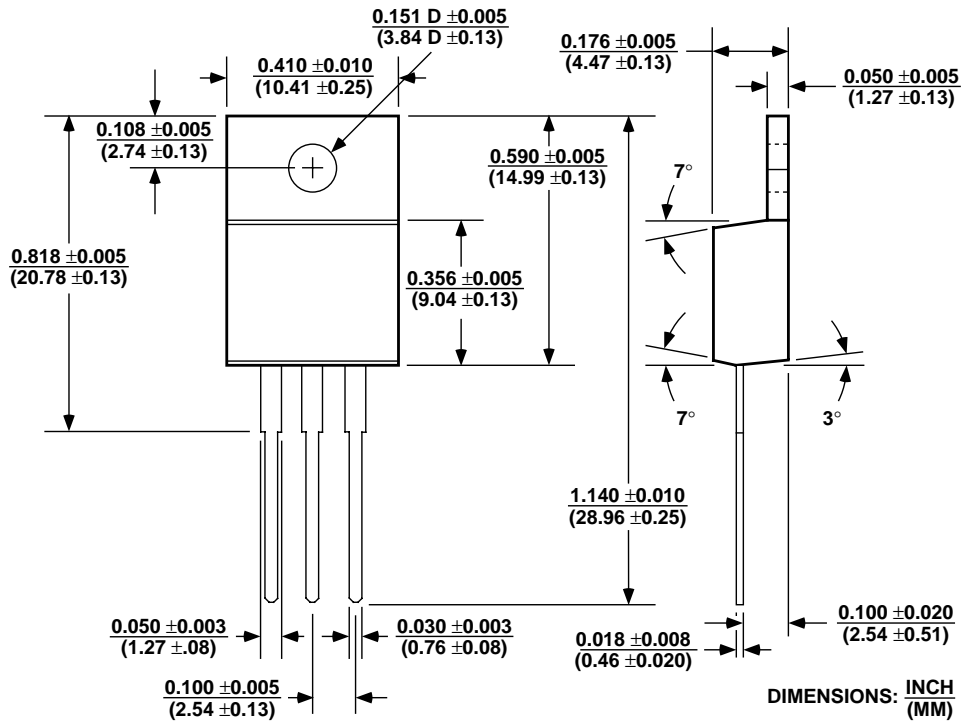
Nominal Power Dissipation and Die Temperature

The MIC2954-07BM/-08BM at a 55°C ambient temperature will operate reliably at up to 440mW power dissipation when mounted in the "worst case" manner described above. This power level is equivalent to a die temperature of 125°C, the recommended maximum temperature for nonmilitary grade silicon integrated circuits.

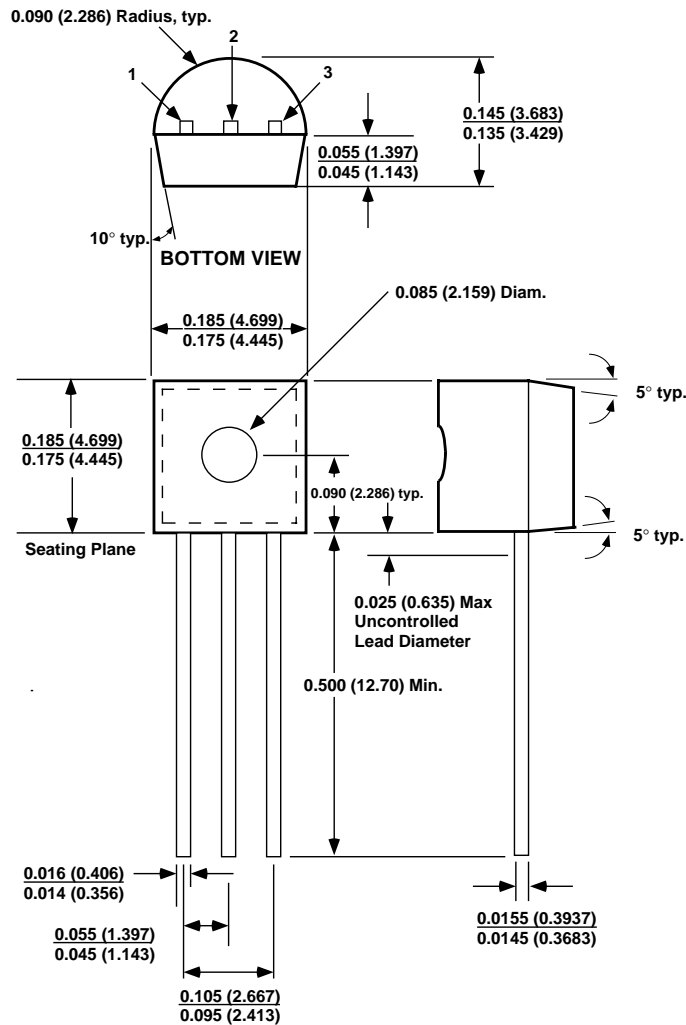
Schematic Diagram



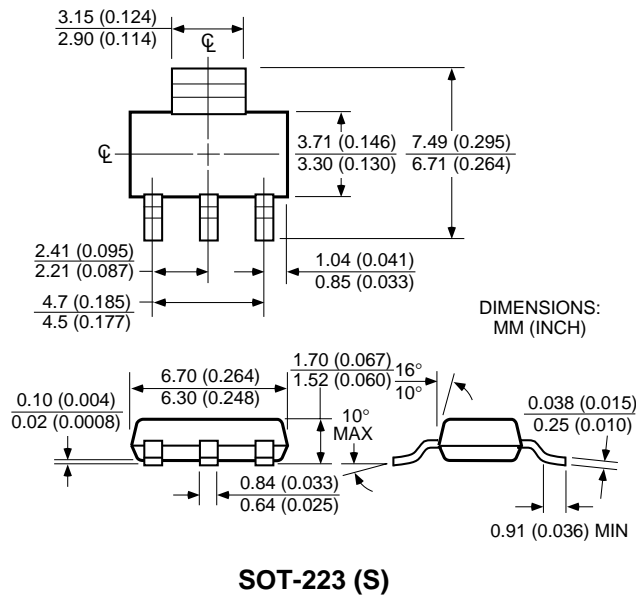
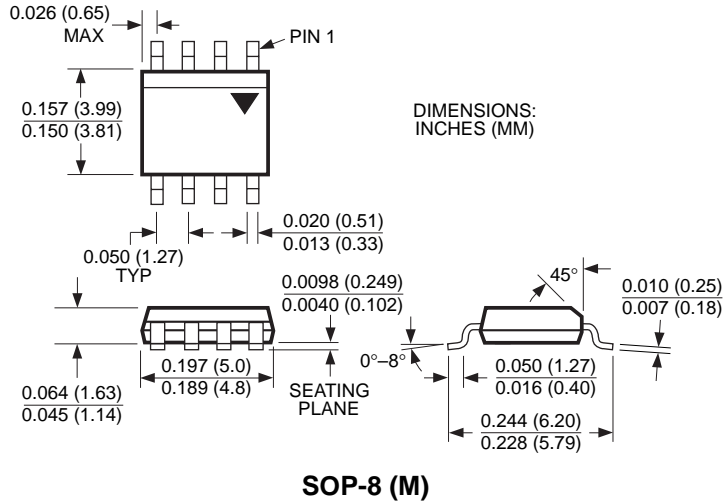
Package Information



TO-220 (T)



TO-92 (Z)



MICREL INC. 1849 FORTUNE DRIVE SAN JOSE, CA 95131 USA

TEL + 1 (408) 944-0800 FAX + 1 (408) 944-0970 WEB <http://www.micrel.com>

This information is believed to be accurate and reliable, however no responsibility is assumed by Micrel for its use nor for any infringement of patents or other rights of third parties resulting from its use. No license is granted by implication or otherwise under any patent or patent right of Micrel Inc.

© 1999 Micrel Incorporated