



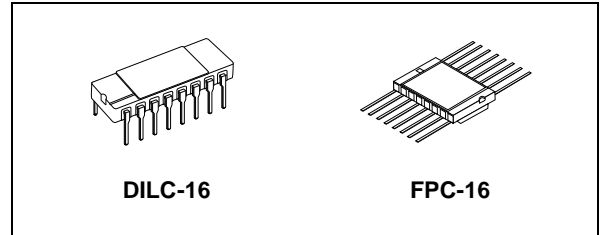
# M54HC595

## RAD-HARD 8 BIT SHIFT REGISTER WITH OUTPUT LATCHES (3 STATE)

- HIGH SPEED:  
 $f_{MAX} = 59\text{MHz}$  (TYP.) at  $V_{CC} = 6\text{V}$
- LOW POWER DISSIPATION:  
 $I_{CC} = 4\mu\text{A}$ (MAX.) at  $T_A=25^\circ\text{C}$
- HIGH NOISE IMMUNITY:  
 $V_{NIH} = V_{NIL} = 28\% V_{CC}$  (MIN.)
- SYMMETRICAL OUTPUT IMPEDANCE:  
 $|I_{OH}| = I_{OL} = 6\text{mA}$  (MIN.) FOR QA to QH  
 $|I_{OH}| = I_{OL} = 4\text{mA}$  (MIN.) FOR QH'
- BALANCED PROPAGATION DELAYS:  
 $t_{PLH} \cong t_{PHL}$
- WIDE OPERATING VOLTAGE RANGE:  
 $V_{CC}$  (OPR) = 2V to 6V
- PIN AND FUNCTION COMPATIBLE WITH 54 SERIES 595
- SPACE GRADE-1: ESA SCC QUALIFIED
- 50 krad QUALIFIED, 100 krad AVAILABLE ON REQUEST
- NO SEL UNDER HIGH LET HEAVY IONS IRRADIATION
- DEVICE FULLY COMPLIANT WITH SCC-9306-051

### DESCRIPTION

The M54HC595 is a high speed CMOS 8-BIT SHIFT REGISTER/OUTPUT LATCHES (3-STATE) fabricated with silicon gate C<sup>2</sup>MOS technology.



### ORDER CODES

| PACKAGE | FM        | EM         |
|---------|-----------|------------|
| DILC    | M54HC595D | M54HC595D1 |
| FPC     | M54HC595K | M54HC595K1 |

This device contains an 8-bit serial-in, parallel-out shift register that feeds an 8-bit D-type storage register. The storage register has 8 3-STATE outputs. Separate clocks are provided for both the shift register and the storage register.

The shift register has a direct-overriding clear, serial input, and serial output (standard) pins for cascading. Both the shift register and storage register use positive-edge triggered clocks. If both clocks are connected together, the shift register state will always be one clock pulse ahead of the storage register.

All inputs are equipped with protection circuits against static discharge and transient excess voltage.

### PIN CONNECTION

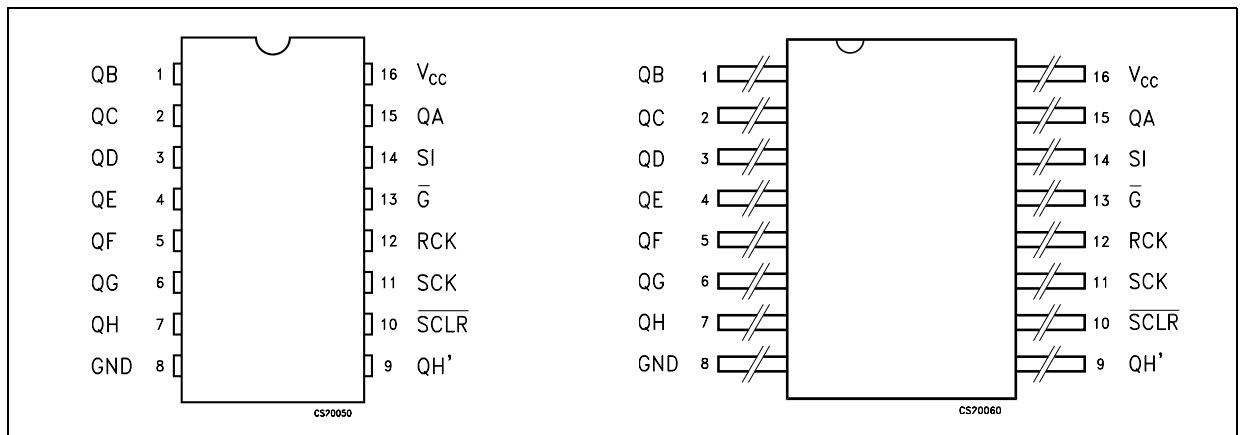


Figure 1: IEC Logic Symbols

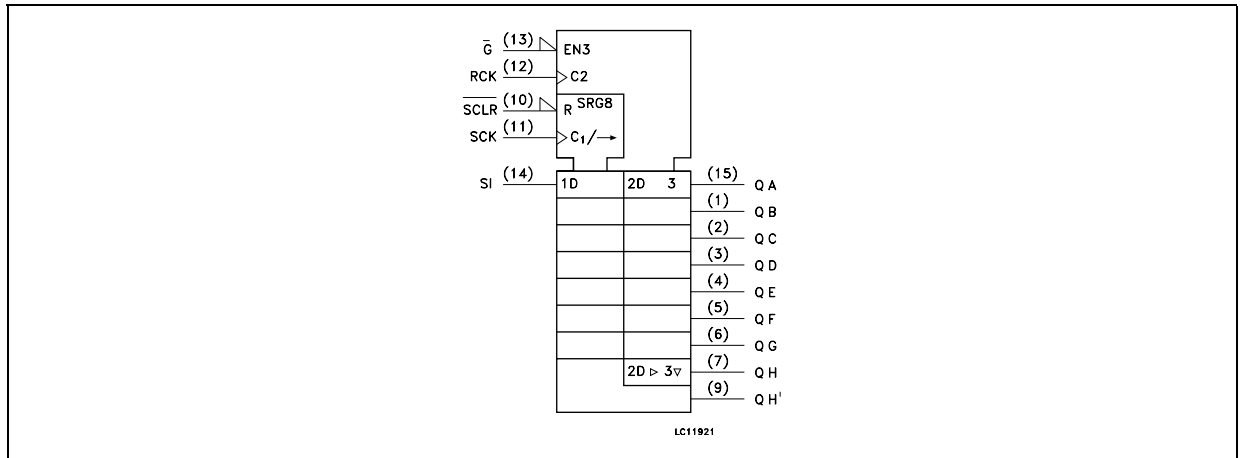


Figure 2: Input And Output Equivalent Circuit

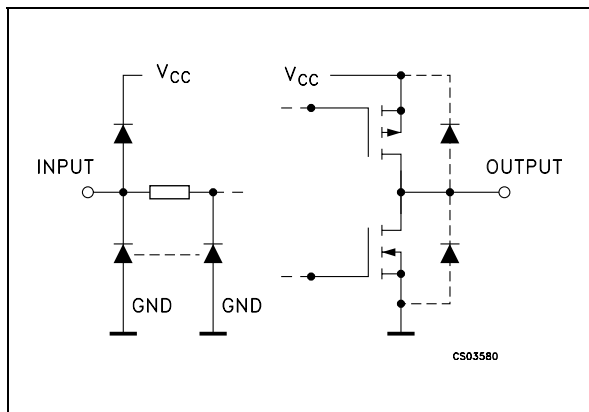


Table 1: Pin Description

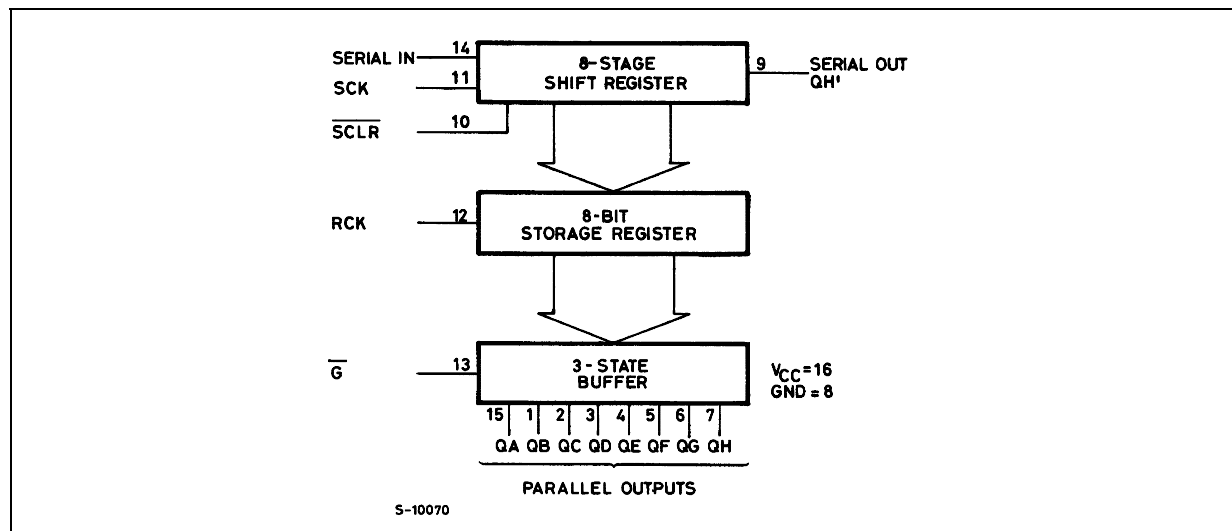
| PIN N°                  | SYMBOL          | NAME AND FUNCTION            |
|-------------------------|-----------------|------------------------------|
| 1, 2, 3, 4, 5, 6, 7, 15 | QA to QH        | Data Outputs                 |
| 9                       | QH'             | Serial Data Outputs          |
| 10                      | SCLR            | Shift Register Clear Input   |
| 11                      | SCK             | Shift Register Clock Input   |
| 13                      | G               | Output Enable Input          |
| 14                      | SI              | Serial Data Input            |
| 12                      | RCK             | Storage Register Clock Input |
| 8                       | GND             | Ground (0V)                  |
| 16                      | V <sub>CC</sub> | Positive Supply Voltage      |

Table 2: Truth Table

| INPUTS |     |      |     |   | OUTPUTS   |
|--------|-----|------|-----|---|---|
| SI     | SCK | SCLR | RCK | G |   |
| X      | X   | X    | X   | H | QA THRU QH OUTPUTS DISABLE  |
| X      | X   | X    | X   | L | QA THRU QH OUTPUTS ENABLE   |
| X      | X   | L    | X   | X | SHIFT REGISTER IS CLEARED   |
| L      |     | H    | X   | X | FIRST STAGE OF S.R. BECOMES "L" OTHER STAGES STORE THE DATA OF PREVIOUS STAGE, RESPECTIVELY |
| H      |     | H    | X   | X | FIRST STAGE OF S.R. BECOMES "H" OTHER STAGES STORE THE DATA OF PREVIOUS STAGE, RESPECTIVELY |
| X      |     | H    | X   | X | STATE OF S.R. IS NOT CHANGED  |
| X      | X   | X    |     | X | S.R. DATA IS STORED INTO STORAGE REGISTER   |
| X      | X   | X    |     | X | STORAGE REGISTER STATE IS NOT CHANGED   |

X: Don't Care

Figure 3: Logic Diagram



This logic diagram has not be used to estimate propagation delays

Figure 4: Logic Diagram

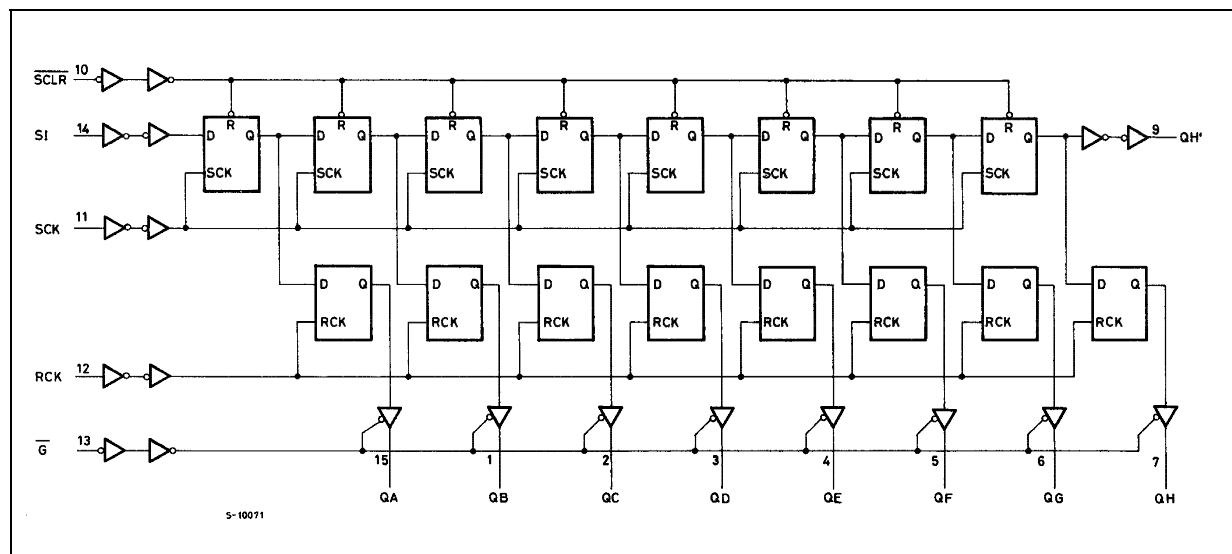


Table 5: This logic diagram has not be used to estimate propagation delays

Figure 6: Timing Chart

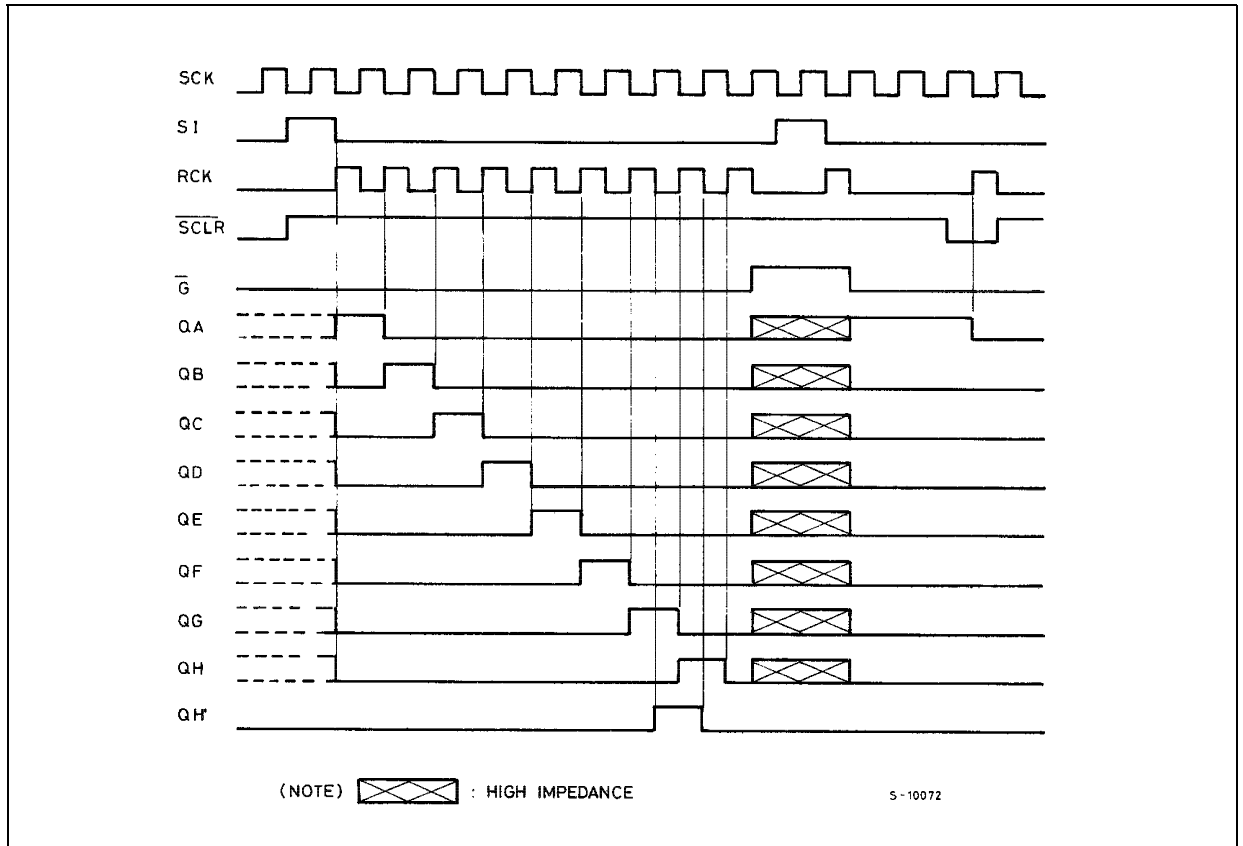


Table 3: Absolute Maximum Ratings

| Symbol                | Parameter                     | Value                  | Unit        |
|-----------------------|-------------------------------|------------------------|-------------|
| $V_{CC}$              | Supply Voltage                | -0.5 to +7             | V           |
| $V_I$                 | DC Input Voltage              | -0.5 to $V_{CC} + 0.5$ | V           |
| $V_O$                 | DC Output Voltage             | -0.5 to $V_{CC} + 0.5$ | V           |
| $I_{IK}$              | DC Input Diode Current        | $\pm 20$               | mA          |
| $I_{OK}$              | DC Output Diode Current       | $\pm 20$               | mA          |
| $I_O$                 | DC Output Current             | $\pm 35$               | mA          |
| $I_{CC}$ or $I_{GND}$ | DC $V_{CC}$ or Ground Current | $\pm 70$               | mA          |
| $P_D$                 | Power Dissipation             | 420                    | mW          |
| $T_{stg}$             | Storage Temperature           | -65 to +150            | $^{\circ}C$ |
| $T_L$                 | Lead Temperature (10 sec)     | 265                    | $^{\circ}C$ |

Absolute Maximum Ratings are those values beyond which damage to the device may occur. Functional operation under these conditions is not implied

Table 4: Recommended Operating Conditions

| Symbol     | Parameter                | Value           | Unit      |    |
|------------|--------------------------|-----------------|-----------|----|
| $V_{CC}$   | Supply Voltage           | 2 to 6          | V         |    |
| $V_I$      | Input Voltage            | 0 to $V_{CC}$   | V         |    |
| $V_O$      | Output Voltage           | 0 to $V_{CC}$   | V         |    |
| $T_{op}$   | Operating Temperature    | -55 to 125      | °C        |    |
| $t_r, t_f$ | Input Rise and Fall Time | $V_{CC} = 2.0V$ | 0 to 1000 | ns |
|            |                          | $V_{CC} = 4.5V$ | 0 to 500  | ns |
|            |                          | $V_{CC} = 6.0V$ | 0 to 400  | ns |

Table 5: DC Specifications

| Symbol   | Parameter   | Test Condition  |   | Value              |      |           |             |         |              | Unit     |         |
|----------|---|-----------------|---|--------------------|------|-----------|-------------|---------|--------------|----------|---------|
|          |   | $V_{CC}$<br>(V) |   | $T_A = 25^\circ C$ |      |           | -40 to 85°C |         | -55 to 125°C |          |         |
|          |   |                 |   | Min.               | Typ. | Max.      | Min.        | Max.    | Min.         |          | Max.    |
| $V_{IH}$ | High Level Input Voltage                            | 2.0             |   | 1.5                |      |           | 1.5         |         | 1.5          |          | V       |
|          |   | 4.5             |   | 3.15               |      |           | 3.15        |         | 3.15         |          |         |
|          |   | 6.0             |   | 4.2                |      |           | 4.2         |         | 4.2          |          |         |
| $V_{IL}$ | Low Level Input Voltage                             | 2.0             |   |                    |      | 0.5       |             | 0.5     |              | 0.5      | V       |
|          |   | 4.5             |   |                    |      | 1.35      |             | 1.35    |              | 1.35     |         |
|          |   | 6.0             |   |                    |      | 1.8       |             | 1.8     |              | 1.8      |         |
| $V_{OH}$ | High Level Output Voltage<br>(for QH' outputs)      | 2.0             | $I_O = -20 \mu A$                                   | 1.9                | 2.0  |           | 1.9         |         | 1.9          |          | V       |
|          |   | 4.5             | $I_O = -20 \mu A$                                   | 4.4                | 4.5  |           | 4.4         |         | 4.4          |          |         |
|          |   | 6.0             | $I_O = -20 \mu A$                                   | 5.9                | 6.0  |           | 5.9         |         | 5.9          |          |         |
|          |   | 4.5             | $I_O = -4.0 mA$                                     | 4.18               | 4.31 |           | 4.13        |         | 4.10         |          |         |
|          |   | 6.0             | $I_O = -7.8 mA$                                     | 5.68               | 5.8  |           | 5.63        |         | 5.60         |          |         |
| $V_{OH}$ | High Level Output Voltage<br>(for QA to QH outputs) | 2.0             | $I_O = -20 \mu A$                                   | 1.9                | 2.0  |           | 1.9         |         | 1.9          |          | V       |
|          |   | 4.5             | $I_O = -20 \mu A$                                   | 4.4                | 4.5  |           | 4.4         |         | 4.4          |          |         |
|          |   | 6.0             | $I_O = -20 \mu A$                                   | 5.9                | 6.0  |           | 5.9         |         | 5.9          |          |         |
|          |   | 4.5             | $I_O = -6.0 mA$                                     | 4.18               | 4.31 |           | 4.13        |         | 4.10         |          |         |
|          |   | 6.0             | $I_O = -7.8 mA$                                     | 5.68               | 5.8  |           | 5.63        |         | 5.60         |          |         |
| $V_{OL}$ | Low Level Output Voltage<br>(for QH' outputs)       | 2.0             | $I_O = 20 \mu A$                                    |                    | 0.0  | 0.1       |             | 0.1     |              | 0.1      | V       |
|          |   | 4.5             | $I_O = 20 \mu A$                                    |                    | 0.0  | 0.1       |             | 0.1     |              | 0.1      |         |
|          |   | 6.0             | $I_O = 20 \mu A$                                    |                    | 0.0  | 0.1       |             | 0.1     |              | 0.1      |         |
|          |   | 4.5             | $I_O = 4.0 mA$                                      |                    | 0.17 | 0.26      |             | 0.33    |              | 0.40     |         |
|          |   | 6.0             | $I_O = 7.8 mA$                                      |                    | 0.18 | 0.26      |             | 0.33    |              | 0.40     |         |
| $V_{OL}$ | Low Level Output Voltage<br>(for QA to QH outputs)  | 2.0             | $I_O = 20 \mu A$                                    |                    | 0.0  | 0.1       |             | 0.1     |              | 0.1      | V       |
|          |   | 4.5             | $I_O = 20 \mu A$                                    |                    | 0.0  | 0.1       |             | 0.1     |              | 0.1      |         |
|          |   | 6.0             | $I_O = 20 \mu A$                                    |                    | 0.0  | 0.1       |             | 0.1     |              | 0.1      |         |
|          |   | 4.5             | $I_O = 6.0 mA$                                      |                    | 0.17 | 0.26      |             | 0.33    |              | 0.40     |         |
|          |   | 6.0             | $I_O = 7.8 mA$                                      |                    | 0.18 | 0.26      |             | 0.33    |              | 0.40     |         |
| $I_I$    | Input Leakage Current                               | 6.0             | $V_I = V_{CC}$ or GND                               |                    |      | $\pm 0.1$ |             | $\pm 1$ |              | $\pm 1$  | $\mu A$ |
| $I_{OZ}$ | High Impedance Output Leakage Current               | 6.0             | $V_I = V_{IH}$ or $V_{IL}$<br>$V_O = V_{CC}$ or GND |                    |      | $\pm 0.5$ |             | $\pm 5$ |              | $\pm 10$ | $\mu A$ |

| Symbol          | Parameter                | Test Condition         |   | Value                 |      |      |             |      |              | Unit |      |
|-----------------|--------------------------|------------------------|---|-----------------------|------|------|-------------|------|--------------|------|------|
|                 |                          | V <sub>CC</sub><br>(V) |   | T <sub>A</sub> = 25°C |      |      | -40 to 85°C |      | -55 to 125°C |      |      |
|                 |                          |                        |   | Min.                  | Typ. | Max. | Min.        | Max. | Min.         |      | Max. |
| I <sub>CC</sub> | Quiescent Supply Current | 6.0                    | V <sub>I</sub> = V <sub>CC</sub> or GND |                       |      | 4    |             | 40   |              | 80   | μA   |

Table 6: AC Electrical Characteristics (C<sub>L</sub> = 50 pF, Input t<sub>r</sub> = t<sub>f</sub> = 6ns)

| Symbol                            | Parameter                           | Test Condition         |                        |                       | Value                 |      |      |             |      |              | Unit |      |
|-----------------------------------|-------------------------------------|------------------------|------------------------|-----------------------|-----------------------|------|------|-------------|------|--------------|------|------|
|                                   |                                     | V <sub>CC</sub><br>(V) | C <sub>L</sub><br>(pF) |                       | T <sub>A</sub> = 25°C |      |      | -40 to 85°C |      | -55 to 125°C |      |      |
|                                   |                                     |                        |                        |                       | Min.                  | Typ. | Max. | Min.        | Max. | Min.         |      | Max. |
| t <sub>TLH</sub> t <sub>THL</sub> | Output Transition Time (Qn)         | 2.0                    | 50                     |                       |                       | 25   | 60   |             | 75   |              | 90   | ns   |
|                                   |                                     | 4.5                    |                        |                       | 7                     | 12   |      | 15          |      | 18           |      |      |
|                                   |                                     | 6.0                    |                        |                       | 6                     | 10   |      | 13          |      | 15           |      |      |
| t <sub>TLH</sub> t <sub>THL</sub> | Output Transition Time (QH')        | 2.0                    | 50                     |                       |                       | 30   | 75   |             | 95   |              | 115  | ns   |
|                                   |                                     | 4.5                    |                        |                       | 8                     | 15   |      | 19          |      | 23           |      |      |
|                                   |                                     | 6.0                    |                        |                       | 7                     | 13   |      | 16          |      | 20           |      |      |
| t <sub>PLH</sub> t <sub>PHL</sub> | Propagation Delay Time (SCK - QH')  | 2.0                    | 50                     |                       |                       | 45   | 125  |             | 155  |              | 190  | ns   |
|                                   |                                     | 4.5                    |                        |                       | 15                    | 25   |      | 31          |      | 38           |      |      |
|                                   |                                     | 6.0                    |                        |                       | 13                    | 21   |      | 26          |      | 32           |      |      |
| t <sub>PLH</sub> t <sub>PHL</sub> | Propagation Delay Time (SCLR - QH') | 2.0                    | 50                     |                       |                       | 60   | 175  |             | 220  |              | 265  | ns   |
|                                   |                                     | 4.5                    |                        |                       | 18                    | 35   |      | 44          |      | 53           |      |      |
|                                   |                                     | 6.0                    |                        |                       | 15                    | 30   |      | 37          |      | 45           |      |      |
| t <sub>PLH</sub> t <sub>PHL</sub> | Propagation Delay Time (RCK - Qn)   | 2.0                    | 50                     |                       |                       | 60   | 150  |             | 190  |              | 225  | ns   |
|                                   |                                     | 4.5                    |                        |                       | 20                    | 30   |      | 38          |      | 45           |      |      |
|                                   |                                     | 6.0                    |                        |                       | 17                    | 26   |      | 32          |      | 38           |      |      |
|                                   |                                     | 2.0                    | 150                    |                       |                       | 75   | 190  |             | 240  |              | 285  | ns   |
|                                   |                                     | 4.5                    |                        |                       | 25                    | 38   |      | 48          |      | 57           |      |      |
|                                   |                                     | 6.0                    |                        |                       | 22                    | 32   |      | 41          |      | 48           |      |      |
| t <sub>PZL</sub> t <sub>PZH</sub> | High Impedance Output Enable Time   | 2.0                    | 50                     | R <sub>L</sub> = 1 KΩ |                       | 45   | 135  |             | 170  |              | 205  | ns   |
|                                   |                                     | 4.5                    |                        |                       | 15                    | 27   |      | 34          |      | 41           |      |      |
|                                   |                                     | 6.0                    |                        |                       | 13                    | 23   |      | 29          |      | 35           |      |      |
|                                   |                                     | 2.0                    | 150                    | R <sub>L</sub> = 1 KΩ |                       | 60   | 175  |             | 220  |              | 265  | ns   |
|                                   |                                     | 4.5                    |                        |                       | 20                    | 35   |      | 44          |      | 53           |      |      |
|                                   |                                     | 6.0                    |                        |                       | 17                    | 30   |      | 37          |      | 45           |      |      |
| t <sub>PZL</sub> t <sub>PZH</sub> | High Impedance Output Disable Time  | 2.0                    | 50                     | R <sub>L</sub> = 1 KΩ |                       | 30   | 150  |             | 190  |              | 225  | ns   |
|                                   |                                     | 4.5                    |                        |                       | 15                    | 30   |      | 38          |      | 45           |      |      |
|                                   |                                     | 6.0                    |                        |                       | 14                    | 26   |      | 32          |      | 38           |      |      |
| f <sub>MAX</sub>                  | Maximum Clock Frequency             | 2.0                    | 50                     |                       | 6.0                   | 17   |      | 4.8         |      | 4            |      | MHz  |
|                                   |                                     | 4.5                    |                        |                       | 30                    | 50   |      | 24          |      | 20           |      |      |
|                                   |                                     | 6.0                    |                        |                       | 35                    | 59   |      | 28          |      | 24           |      |      |
|                                   |                                     | 2.0                    | 150                    |                       | 5.2                   | 14   |      | 4.2         |      | 3.4          |      | MHz  |
|                                   |                                     | 4.5                    |                        |                       | 26                    | 40   |      | 21          |      | 17           |      |      |
|                                   |                                     | 6.0                    |                        |                       | 31                    | 45   |      | 25          |      | 20           |      |      |
| t <sub>W(H)</sub>                 | Minimum Pulse Width (SCK, RCK)      | 2.0                    | 50                     |                       |                       | 17   | 75   |             | 95   |              | 110  | ns   |
|                                   |                                     | 4.5                    |                        |                       | 6                     | 15   |      | 19          |      | 22           |      |      |
|                                   |                                     | 6.0                    |                        |                       | 6                     | 13   |      | 16          |      | 19           |      |      |

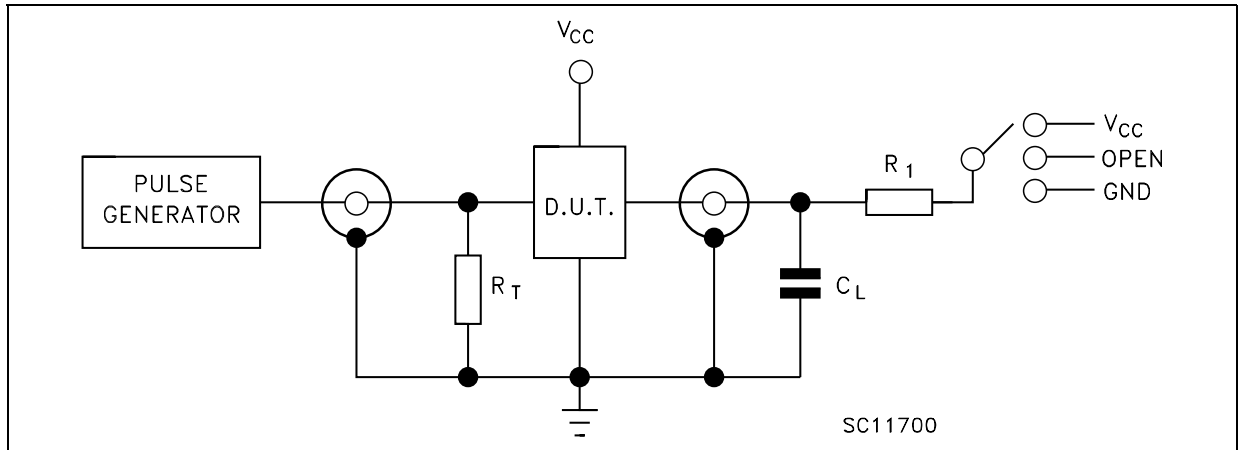
| Symbol            | Parameter                        | Test Condition         |                        |  | Value                 |      |      |             |      |              | Unit |      |
|-------------------|----------------------------------|------------------------|------------------------|--|-----------------------|------|------|-------------|------|--------------|------|------|
|                   |                                  | V <sub>CC</sub><br>(V) | C <sub>L</sub><br>(pF) |  | T <sub>A</sub> = 25°C |      |      | -40 to 85°C |      | -55 to 125°C |      |      |
|                   |                                  |                        |                        |  | Min.                  | Typ. | Max. | Min.        | Max. | Min.         |      | Max. |
| t <sub>W(L)</sub> | Minimum Pulse Width (SCLR)       | 2.0                    | 50                     |  |                       | 20   | 75   |             | 95   |              | 110  | ns   |
|                   |                                  | 4.5                    |                        |  |                       | 6    | 15   |             | 19   |              | 22   |      |
|                   |                                  | 6.0                    |                        |  |                       | 6    | 13   |             | 16   |              | 19   |      |
| t <sub>s</sub>    | Minimum Set-up Time (SI - CCK)   | 2.0                    | 50                     |  |                       | 25   | 50   |             | 65   |              | 75   | ns   |
|                   |                                  | 4.5                    |                        |  |                       | 5    | 10   |             | 13   |              | 15   |      |
|                   |                                  | 6.0                    |                        |  |                       | 4    | 9    |             | 11   |              | 13   |      |
| t <sub>s</sub>    | Minimum Set-up Time (SCK - RCK)  | 2.0                    | 50                     |  |                       | 35   | 75   |             | 95   |              | 110  | ns   |
|                   |                                  | 4.5                    |                        |  |                       | 8    | 15   |             | 19   |              | 22   |      |
|                   |                                  | 6.0                    |                        |  |                       | 6    | 13   |             | 16   |              | 19   |      |
| t <sub>s</sub>    | Minimum Set-up Time (SCRL - RCK) | 2.0                    | 50                     |  |                       | 40   | 100  |             | 125  |              | 145  | ns   |
|                   |                                  | 4.5                    |                        |  |                       | 10   | 20   |             | 25   |              | 29   |      |
|                   |                                  | 6.0                    |                        |  |                       | 7    | 17   |             | 21   |              | 25   |      |
| t <sub>h</sub>    | Minimum Hold Time                | 2.0                    | 50                     |  |                       |      | 0    |             | 0    |              | 0    | ns   |
|                   |                                  | 4.5                    |                        |  |                       |      | 0    |             | 0    |              | 0    |      |
|                   |                                  | 6.0                    |                        |  |                       |      | 0    |             | 0    |              | 0    |      |
| t <sub>REM</sub>  | Minimum Clear Removal Time       | 2.0                    | 50                     |  |                       | 15   | 50   |             | 65   |              | 75   | ns   |
|                   |                                  | 4.5                    |                        |  |                       | 3    | 10   |             | 13   |              | 15   |      |
|                   |                                  | 6.0                    |                        |  |                       | 3    | 9    |             | 11   |              | 13   |      |

Table 7: Capacitive Characteristics

| Symbol          | Parameter                              | Test Condition         |  |  | Value                 |      |      |             |      |              | Unit |      |
|-----------------|--|------------------------|--|--|-----------------------|------|------|-------------|------|--------------|------|------|
|                 |  | V <sub>CC</sub><br>(V) |  |  | T <sub>A</sub> = 25°C |      |      | -40 to 85°C |      | -55 to 125°C |      |      |
|                 |  |                        |  |  | Min.                  | Typ. | Max. | Min.        | Max. | Min.         |      | Max. |
| C <sub>IN</sub> | Input Capacitance                      |                        |  |  |                       | 5    | 10   |             | 10   |              | 10   | pF   |
| C <sub>PD</sub> | Power Dissipation Capacitance (note 1) |                        |  |  |                       | 184  |      |             |      |              |      | pF   |

1) C<sub>PD</sub> is defined as the value of the IC's internal equivalent capacitance which is calculated from the operating current consumption without load. (Refer to Test Circuit). Average operating current can be obtained by the following equation.  $I_{CC(opr)} = C_{PD} \times V_{CC} \times f_{IN} + I_{CC}$

Figure 7: Test Circuit



| TEST                  | SWITCH   |
|-----------------------|----------|
| $t_{PLH}$ , $t_{PHL}$ | Open     |
| $t_{PZL}$ , $t_{PLZ}$ | $V_{CC}$ |
| $t_{PZH}$ , $t_{PHZ}$ | GND      |

$C_L$  = 50pF/150pF or equivalent (includes jig and probe capacitance)  
 $R_1$  = 1K $\Omega$  or equivalent  
 $R_T$  =  $Z_{OUT}$  of pulse generator (typically 50 $\Omega$ )

Figure 8: Waveform - SCK To QH' Propagation Delay Times, SCK Minimum Pulse Width (f=1MHz; 50% duty cycle)

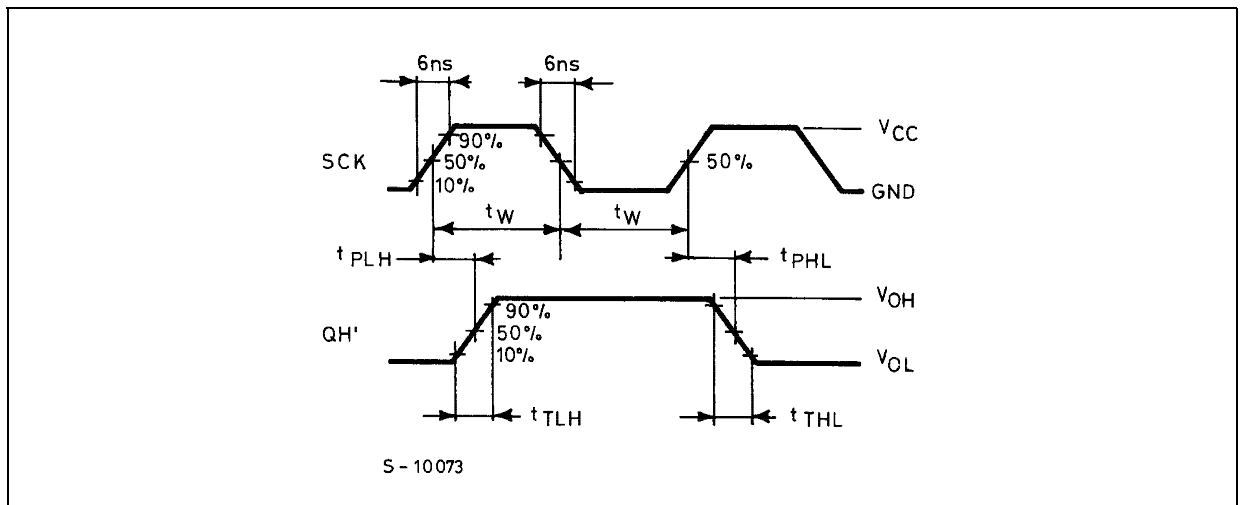




Figure 9: Waveform - RCK To Qn Propagation Delay Times (f=1MHz; 50% duty cycle)

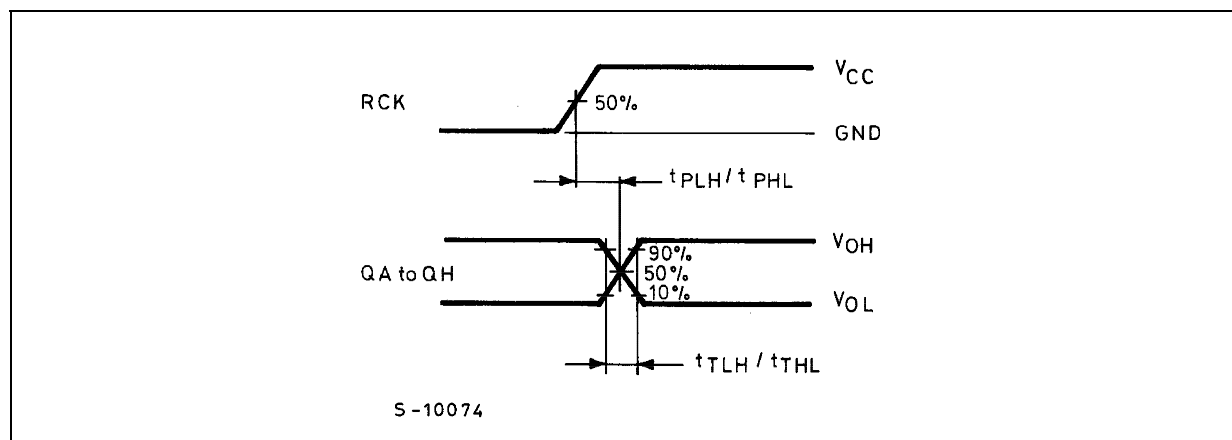


Figure 10: Waveform - SI To SCK Setup And Hold Times (f=1MHz; 50% duty cycle)

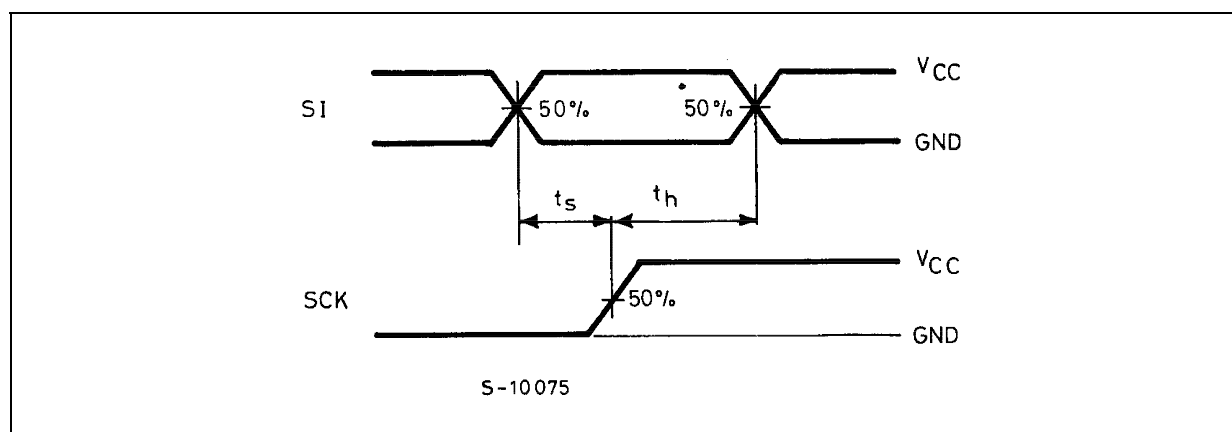


Figure 11: Waveform - SCK To RCK Setup And Hold Times (f=1MHz; 50% duty cycle)

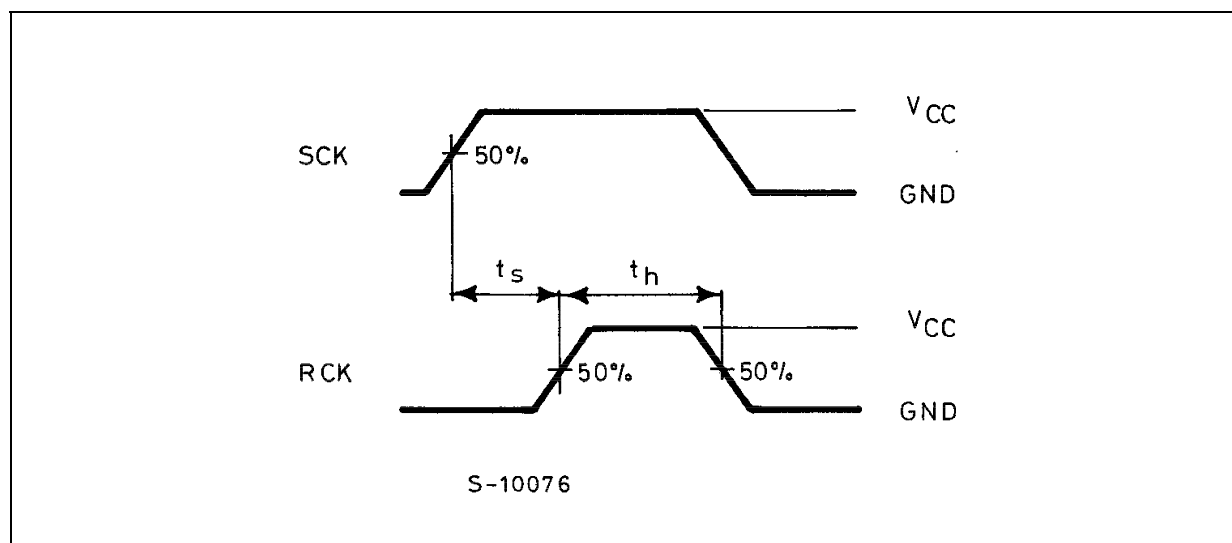


Figure 12: Waveform -  $\overline{\text{SCLR}}$  Minimum Pulse Width, Minimum Removal Time  
 (f=1MHz; 50% duty cycle)

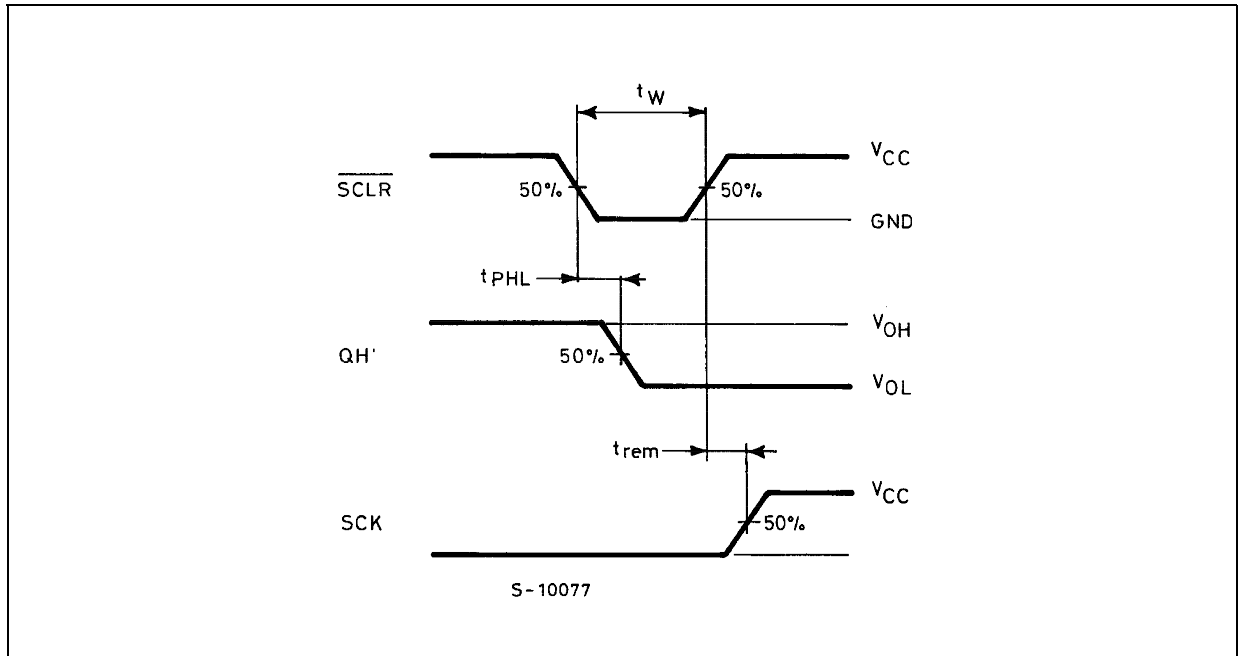


Figure 13: Waveform - Output Enable And Disable Times (f=1MHz; 50% duty cycle)

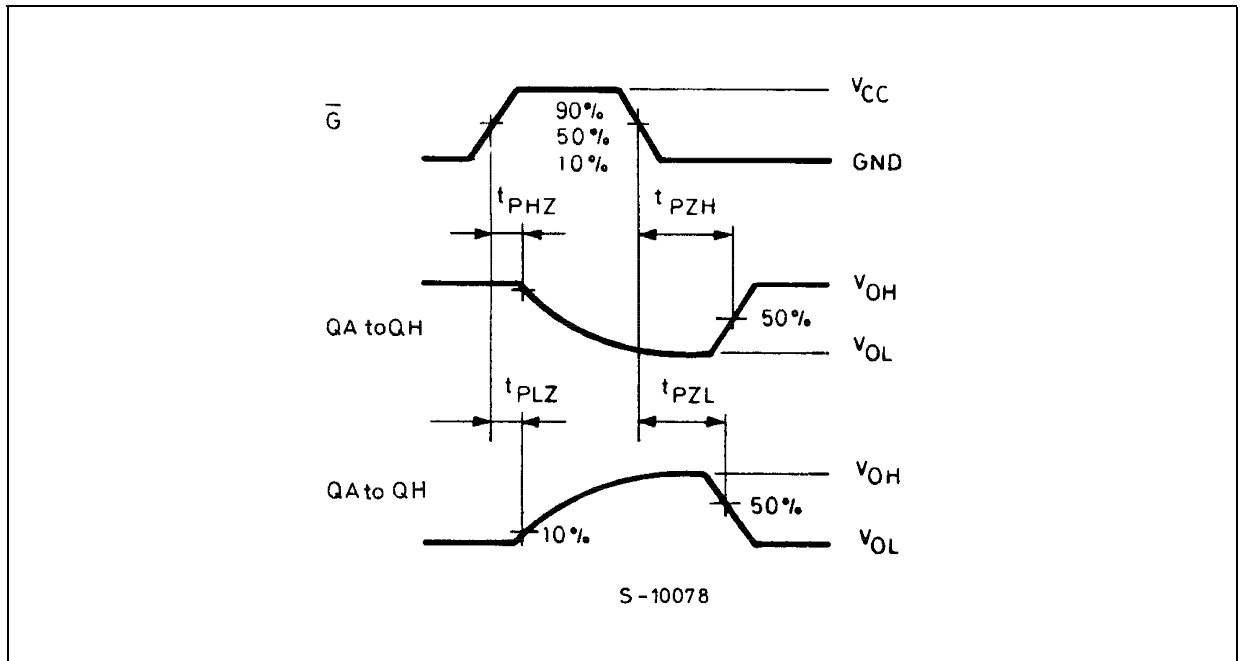
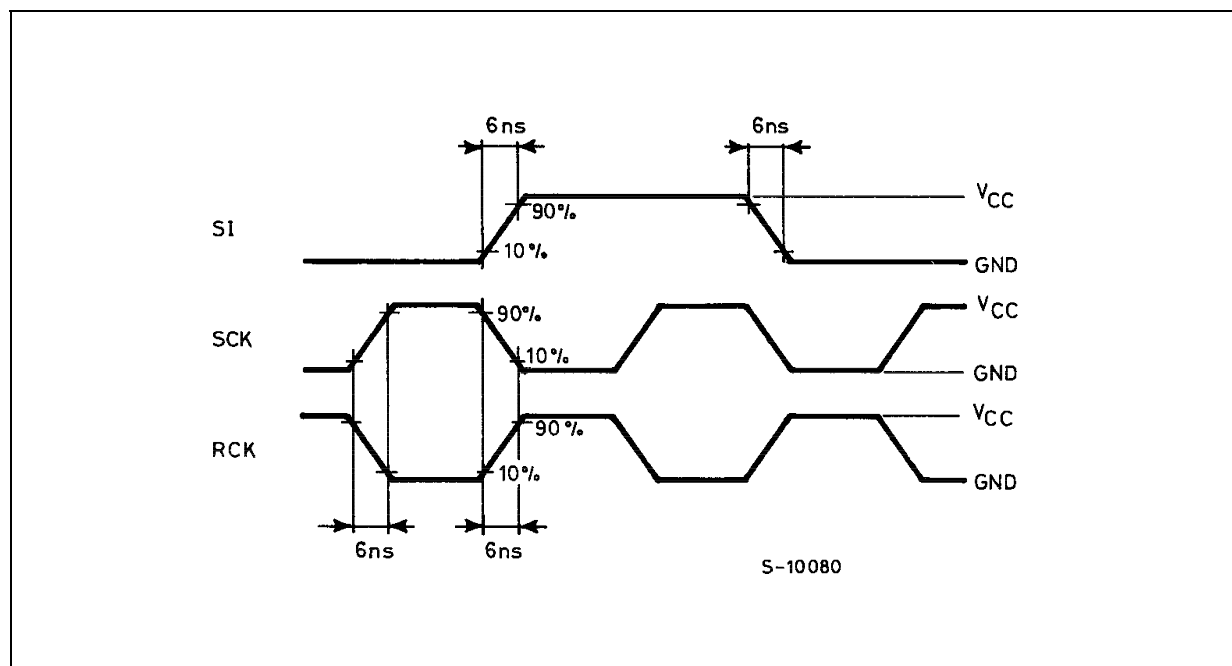
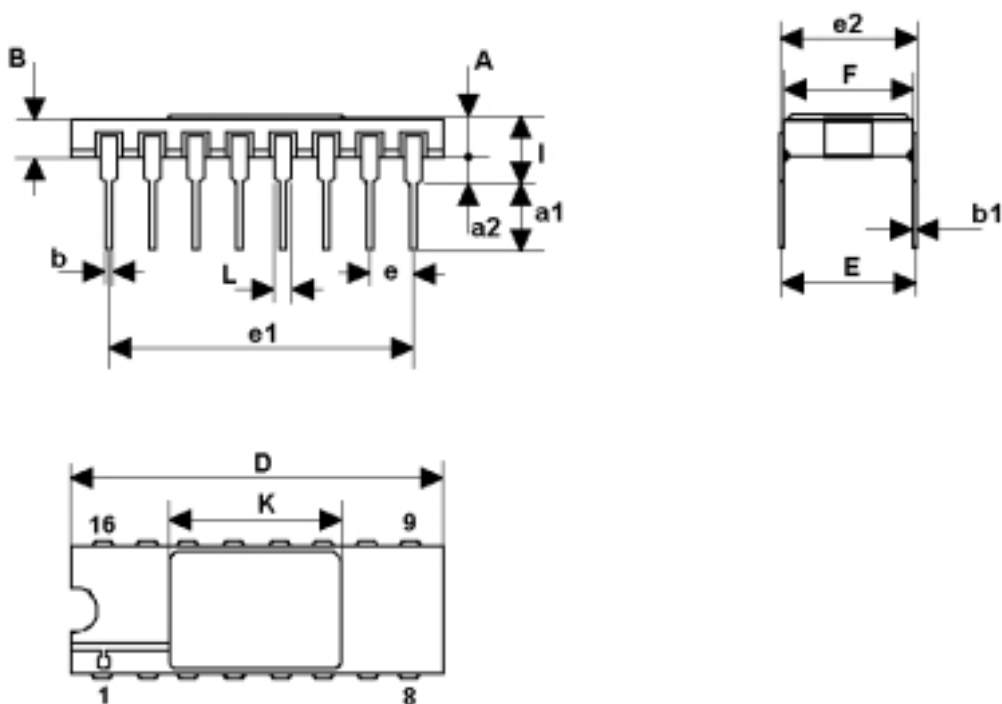


Figure 14: Waveform - Input Waveform (f=1MHz; 50% duty cycle)



## DILC-16 MECHANICAL DATA

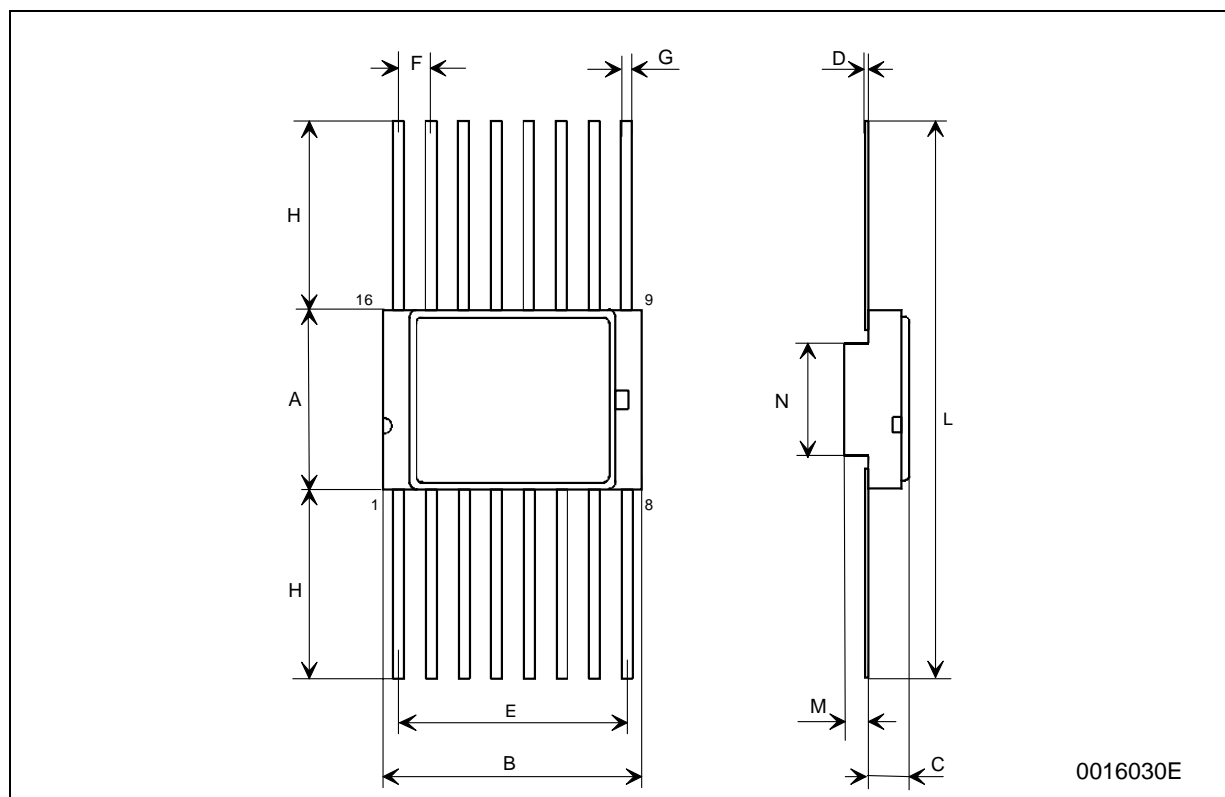
| DIM. | mm.   |       |       | inch  |       |       |
|------|-------|-------|-------|-------|-------|-------|
|      | MIN.  | TYP   | MAX.  | MIN.  | TYP.  | MAX.  |
| A    | 2.1   |       | 2.71  | 0.083 |       | 0.107 |
| a1   | 3.00  |       | 3.70  | 0.118 |       | 0.146 |
| a2   | 0.63  | 0.88  | 1.14  | 0.025 | 0.035 | 0.045 |
| B    | 1.82  |       | 2.39  | 0.072 |       | 0.094 |
| b    | 0.40  | 0.45  | 0.50  | 0.016 | 0.018 | 0.020 |
| b1   | 0.20  | 0.254 | 0.30  | 0.008 | 0.010 | 0.012 |
| D    | 20.06 | 20.32 | 20.58 | 0.790 | 0.800 | 0.810 |
| E    | 7.36  | 7.62  | 7.87  | 0.290 | 0.300 | 0.310 |
| e    |       | 2.54  |       |       | 0.100 |       |
| e1   | 17.65 | 17.78 | 17.90 | 0.695 | 0.700 | 0.705 |
| e2   | 7.62  | 7.87  | 8.12  | 0.300 | 0.310 | 0.320 |
| F    | 7.29  | 7.49  | 7.70  | 0.287 | 0.295 | 0.303 |
| I    |       |       | 3.83  |       |       | 0.151 |
| K    | 10.90 |       | 12.1  | 0.429 |       | 0.476 |
| L    | 1.14  |       | 1.5   | 0.045 |       | 0.059 |



0056437F

## FPC-16 MECHANICAL DATA

| DIM. | mm.   |       |       | inch  |       |       |
|------|-------|-------|-------|-------|-------|-------|
|      | MIN.  | TYP   | MAX.  | MIN.  | TYP.  | MAX.  |
| A    | 6.75  | 6.91  | 7.06  | 0.266 | 0.272 | 0.278 |
| B    | 9.76  | 9.94  | 10.14 | 0.384 | 0.392 | 0.399 |
| C    | 1.49  |       | 1.95  | 0.059 |       | 0.077 |
| D    | 0.102 | 0.127 | 0.152 | 0.004 | 0.005 | 0.006 |
| E    | 8.76  | 8.89  | 9.01  | 0.345 | 0.350 | 0.355 |
| F    |       | 1.27  |       |       | 0.050 |       |
| G    | 0.38  | 0.43  | 0.48  | 0.015 | 0.017 | 0.019 |
| H    | 6.0   |       |       | 0.237 |       |       |
| L    | 18.75 |       | 22.0  | 0.738 |       | 0.867 |
| M    | 0.33  | 0.38  | 0.43  | 0.013 | 0.015 | 0.017 |
| N    |       | 4.31  |       |       | 0.170 |       |



0016030E

**Table 8: Revision History**

| <b>Date</b> | <b>Revision</b> | <b>Description of Changes</b> |
|-------------|-----------------|-------------------------------|
| 01-Jun-2004 | 1               | First Release                 |

Information furnished is believed to be accurate and reliable. However, STMicroelectronics assumes no responsibility for the consequences of use of such information nor for any infringement of patents or other rights of third parties which may result from its use. No license is granted by implication or otherwise under any patent or patent rights of STMicroelectronics. Specifications mentioned in this publication are subject to change without notice. This publication supersedes and replaces all information previously supplied. STMicroelectronics products are not authorized for use as critical components in life support devices or systems without express written approval of STMicroelectronics.

The ST logo is a registered trademark of STMicroelectronics  
All other names are the property of their respective owners

© 2004 STMicroelectronics - All Rights Reserved  
STMicroelectronics GROUP OF COMPANIES

Australia - Belgium - Brazil - Canada - China - Czech Republic - Finland - France - Germany - Hong Kong - India - Israel - Italy - Japan -  
Malaysia - Malta - Morocco - Singapore - Spain - Sweden - Switzerland - United Kingdom - United States.

<http://www.st.com>