

LM185-1.2QML

Micropower Voltage Reference Diode

General Description

The LM185-1.2 is a micropower 2-terminal band-gap voltage regulator diodes. Operating over a 10µA to 20mA current range, it features exceptionally low dynamic impedance and good temperature stability. On-chip trimming is used to provide tight voltage tolerance. Since the LM185-1.2 band-gap reference uses only transistors and resistors, low noise and good long term stability result.

Careful design of the LM185-1.2 has made the device exceptionally tolerant of capacitive loading, making it easy to use in almost any reference application. The wide dynamic operating range allows its use with widely varying supplies with excellent regulation.

The extremely low power drain of the LM185-1.2 makes it useful for micropower circuitry. This voltage reference can be used to make portable meters, regulators or general purpose analog circuitry with battery life approaching shelf life.

Further, the wide operating current allows it to replace older references with a tighter tolerance part.

Features

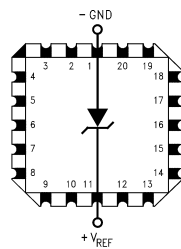
- Operating current of 10µA to 20mA
- 1Ω maximum dynamic impedance (typical)
- Low temperature coefficient
- Low voltage reference - 1.235V

Ordering Information

NS Part Number	JAN Part Number	NS Package Number	Package Description
LM185E-1.2/883	5962-87594012A	E20A	20LD LCC
LM185H-1.2-SMD	5962-8759401XA	H02A	2 LD T0-46
LM185H-1.2-QV	5962-8759401VXA	H02A	2 LD T0-46
LM185WG-1.2/883	5962-8759401YA	WG10A	10LD Ceramic SOIC
LM185BYH-1.2-SMD	5962-8759405XA	H02A	2 LD T0-46
LM185WG-1.2-QV	5962-8759401VYA	WG10A	10LD Ceramic SOIC

Connection Diagrams

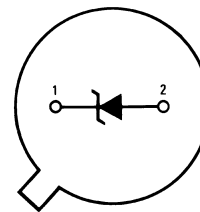
Hermetic Leadless Chip Carrier (E)



20156135

See NS Package Number E20A

TO-46
Metal Can Package (H)

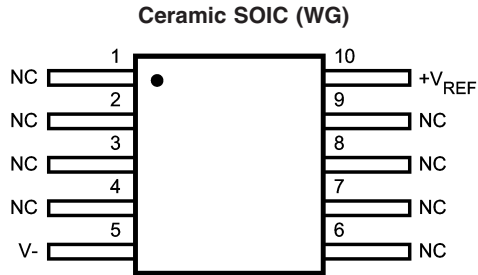


20156106

Bottom View

See NS Package Number H02A

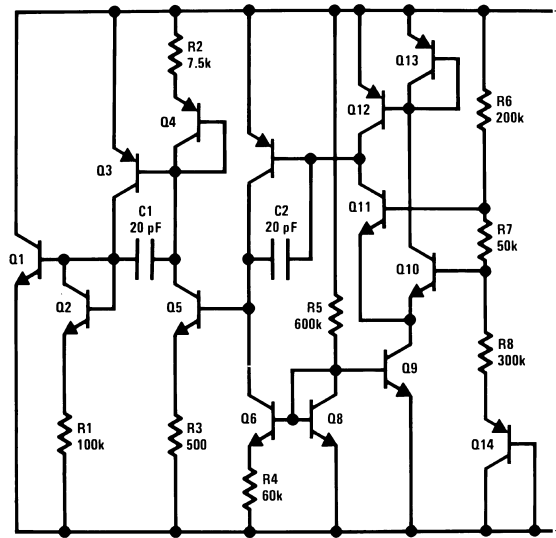
Connection Diagrams (Continued)



20156134

See NS Package Number WG10A

Schematic Diagram



20156107

Absolute Maximum Ratings (Note 1)

Reverse Current	30mA
Forward Current	10mA
Operating Temperature Range	$-55^{\circ}\text{C} \leq T_A \leq +125^{\circ}\text{C}$
Maximum Junction Temperature (T_{Jmax}) (Note 2)	$+150^{\circ}\text{C}$
Storage Temperature	$-55^{\circ}\text{C} \leq T_A \leq +150^{\circ}\text{C}$
Lead Temperature (Soldering 10 Seconds)	
Ceramic SOIC	260°C
TO-46 package	300°C
20LD LCC package	300°C
Thermal Resistance	
θ_{JA}	
Metal Can (Still Air)	300°C/W
Metal Can (500LF / Min Air Flow)	139°C/W
20LD LCC (Still Air)	100°C/W
20LD LCC (500LF / Min Air Flow)	73°C/W
Ceramic SOIC (Still Air)	194°C/W
Ceramic SOIC (500LF / Min Air Flow)	128°C/W
θ_{JC}	
Metal Can	57°C/W
20LD LCC	25°C/W
Ceramic SOIC	23°C/W
Package Weight (Typical)	
Metal Can	TBD
20LD LCC	TBD
Ceramic SOIC	210mg
ESD Tolerance (Note 3)	4KV

Quality Conformance Inspection

Mil-Std-883, Method 5005 - Group A

Subgroup	Description	Temp °C
1	Static tests at	25
2	Static tests at	125
3	Static tests at	-55
4	Dynamic tests at	25
5	Dynamic tests at	125
6	Dynamic tests at	-55
7	Functional tests at	25
8A	Functional tests at	125
8B	Functional tests at	-55
9	Switching tests at	25
10	Switching tests at	125
11	Switching tests at	-55
12	Settling time at	25
13	Settling time at	125
14	Settling time at	-55

LM185-1.2 Electrical Characteristics

DC Parameters

Symbol	Parameter	Conditions	Notes	Min	Max	Units	Sub-groups
V_{Ref}	Reverse Breakdown Voltage	$I_R = 10\mu A$		1.223	1.247	V	1
		$I_R = 20\mu A$		1.205	1.26	V	2, 3
		$I_R = 1mA$		1.223	1.247	V	1
				1.205	1.26	V	2, 3
		$I_R = 20mA$		1.223	1.247	V	1
	1.205		1.26	V	2, 3		
$\Delta V_{Ref} / \Delta I_R$	Reverse Breakdown Voltage Change with Current	$10\mu A \leq I_R \leq 1mA$		-1.0	1.0	mV	1
		$20\mu A \leq I_R \leq 1mA$		-1.5	1.5	mV	2, 3
		$1mA \leq I_R \leq 20mA$		-10.0	10.0	mV	1
				-20.0	20.0	mV	2, 3
V_F	Forward Bias Voltage	$I_F = 2mA$		-1.0	-0.4	V	1

DC Drift Parameters

Delta calculations performed on QMLV devices at group B , subgroup 5, unless otherwise specified on the IPI.

Symbol	Parameter	Conditions	Notes	Min	Max	Units	Sub-groups
V_R	Reverse Breakdown Voltage	$I_R = 10\mu A$		-0.01	0.01	V	1
		$I_R = 20\mu A$		-0.01	0.01	V	1

LM185BY-1.2 Electrical Characteristics

DC Parameters

Symbol	Parameter	Conditions	Notes	Min	Max	Units	Sub-groups
V_{Ref}	Reverse Breakdown Voltage	$I_R = 10\mu A$		1.223	1.247	V	1
		$I_R = 20\mu A$		1.205	1.26	V	2, 3
		$I_R = 1mA$		1.223	1.247	V	1
				1.205	1.26	V	2, 3
		$I_R = 20mA$		1.223	1.247	V	1
	1.205		1.26	V	2, 3		
$\Delta V_{Ref} / \Delta I_R$	Reverse Breakdown Voltage Change with Current	$10\mu A \leq I_R \leq 1mA$		-1.0	1.0	mV	1
		$20\mu A \leq I_R \leq 1mA$		-1.5	1.5	mV	2, 3
		$1mA \leq I_R \leq 20mA$		-10.0	10.0	mV	1
				-20.0	20.0	mV	2, 3
V_F	Forward Bias Voltage	$I_F = 2mA$		-1.0	-0.4	V	1
T_C	Temperature Coefficient		(Note 4)		50	PPM/°C	2, 3

Note 1: Absolute Maximum Ratings indicate limits beyond which damage to the device may occur. Operating Ratings indicate conditions for which the device is functional, but do not guarantee specific performance limits. For guaranteed specifications and test conditions, see the Electrical Characteristics. The guaranteed specifications apply only for the test conditions listed. Some performance characteristics may degrade when the device is not operated under the listed test conditions.

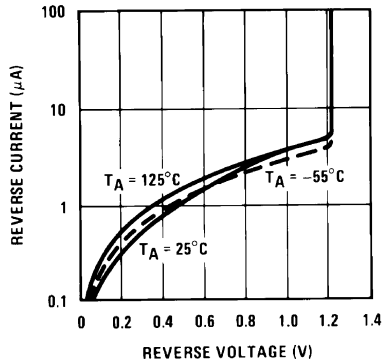
Note 2: The maximum power dissipation must be derated at elevated temperatures and is dictated by T_{Jmax} (maximum junction temperature), θ_{JA} (package junction to ambient thermal resistance), and T_A (ambient temperature). The maximum allowable power dissipation at any temperature is $P_{Dmax} = (T_{Jmax} - T_A)/\theta_{JA}$ or the number given in the Absolute Maximum Ratings, whichever is lower.

Note 3: Human body model, 1.5K Ω in series with 100pF.

Note 4: The average temperature coefficient is defined as the maximum deviation of reference voltage, at all measured temperatures between the operating T_{Min} & T_{Max} , divided by $(T_{Max} - T_{Min})$. The measured temperatures ($T_{Measured}$) are -55°C, 25°C, & 125°C or $\Delta V_{Ref} / (T_{Max} - T_{Min})$

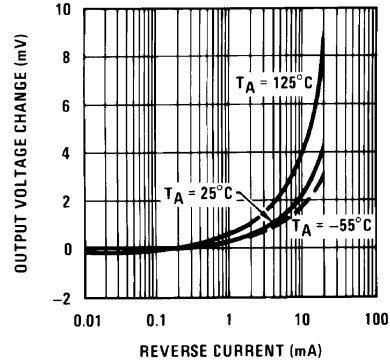
Typical Performance Characteristics

Reverse Characteristics



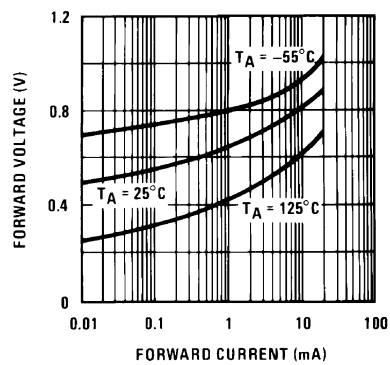
20156113

Reverse Characteristics



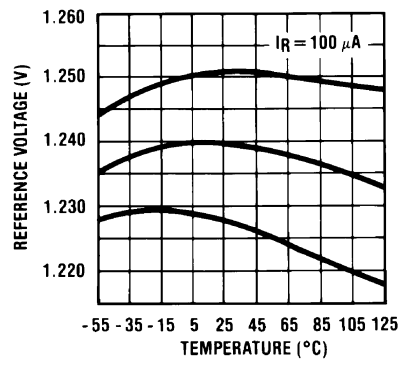
20156114

Forward Characteristics



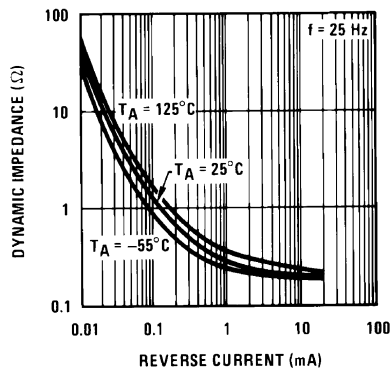
20156115

Temperature Drift of 3 Representative Units



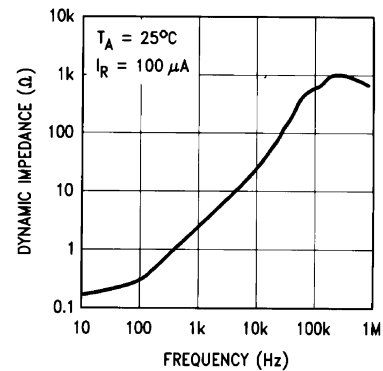
20156116

Reverse Dynamic Impedance



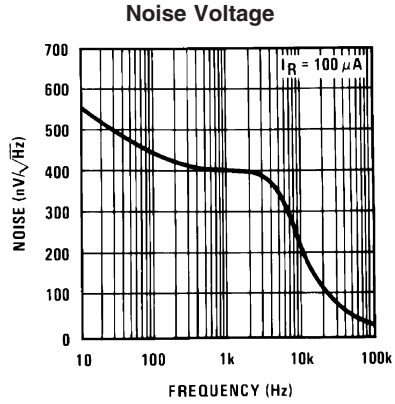
20156117

Reverse Dynamic Impedance

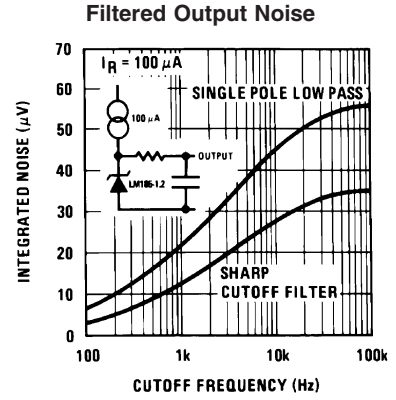


20156118

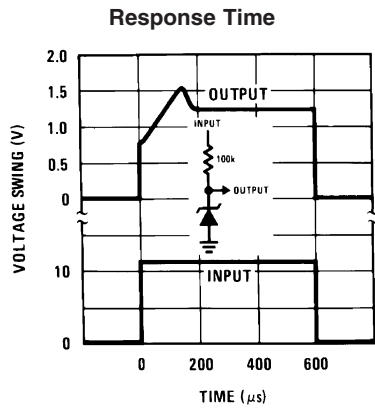
Typical Performance Characteristics (Continued)



20156119



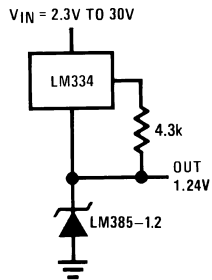
20156120



20156121

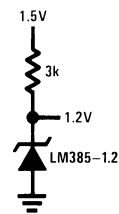
Typical Applications

Wide Input Range Reference



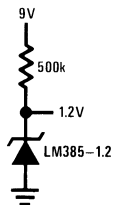
20156108

Reference from 1.5V Battery



20156123

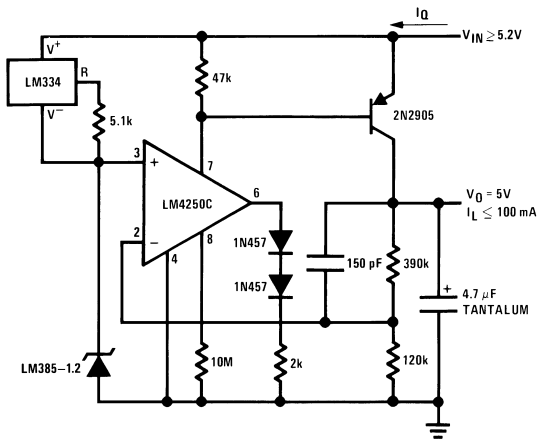
Micropower Reference from 9V Battery



20156122

Typical Applications (Continued)

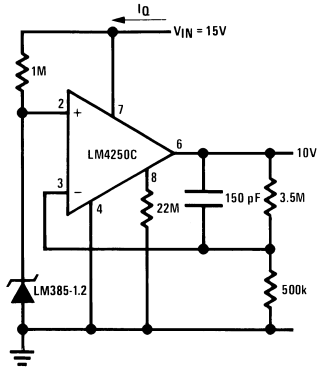
Micropower* 5V Regulator



20156124

* $I_Q \approx 30\mu A$

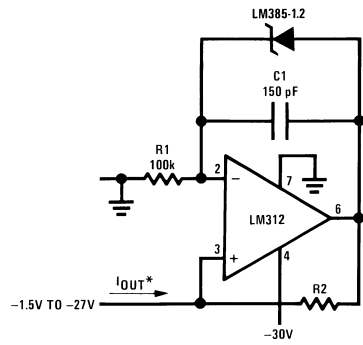
Micropower* 10V Reference



20156125

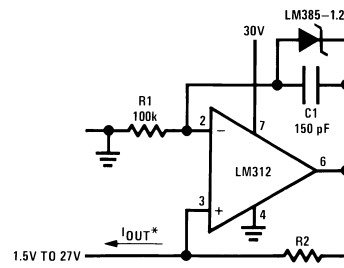
* $I_Q \approx 20\mu A$ standby current

Precision 1μA to 1mA Current Sources



20156126

$$*I_{OUT} = \frac{1.23V}{R_2}$$

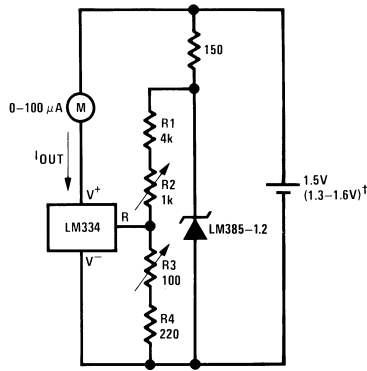


20156127

Typical Applications (Continued)

METER THERMOMETERS

0°C–100°C Thermometer

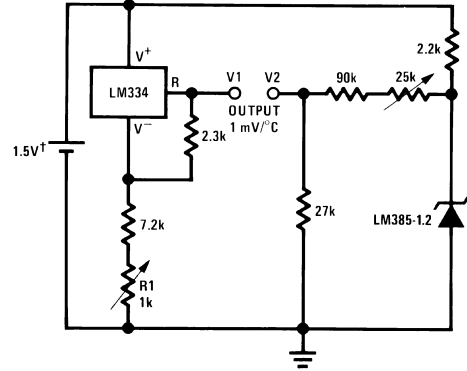


20156128

Calibration

1. Short LM385-1.2, adjust R3 for $I_{OUT} = \text{temp}$ at $1\mu\text{A}/^\circ\text{K}$
 2. Remove short, adjust R2 for correct reading in centigrade
- † I_Q at 1.3V = $500\mu\text{A}$
 I_Q at 1.6V = 2.4mA

Centigrade Thermometer

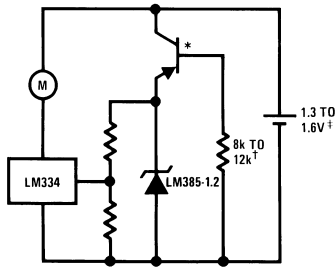


20156101

Calibration

1. Adjust R1 so that $V1 = \text{temp}$ at $1\text{mV}/^\circ\text{K}$
 2. Adjust V2 to 273.2mV
- † I_Q for 1.3V to 1.6V battery voltage = $50\mu\text{A}$ to $150\mu\text{A}$

Lower Power Thermometer



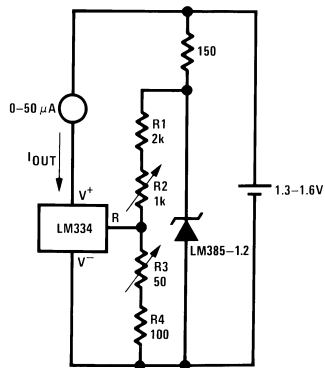
20156129

*2N3638 or 2N2907 select for inverse $H_{FE} \approx 5$

†Select for operation at 1.3V

‡ $I_Q \approx 600\mu\text{A}$ to $900\mu\text{A}$

0°F–50°F Thermometer



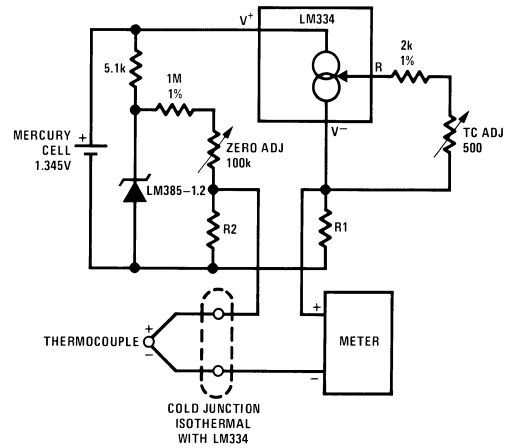
20156130

Calibration

1. Short LM385-1.2, adjust R3 for $I_{OUT} = \text{temp}$ at $1.8\mu\text{A}/^\circ\text{K}$
2. Remove short, adjust R2 for correct reading in °F

Typical supply current $50\mu\text{A}$

Micropower Thermocouple Cold Junction Compensator



20156131

Adjustment Procedure

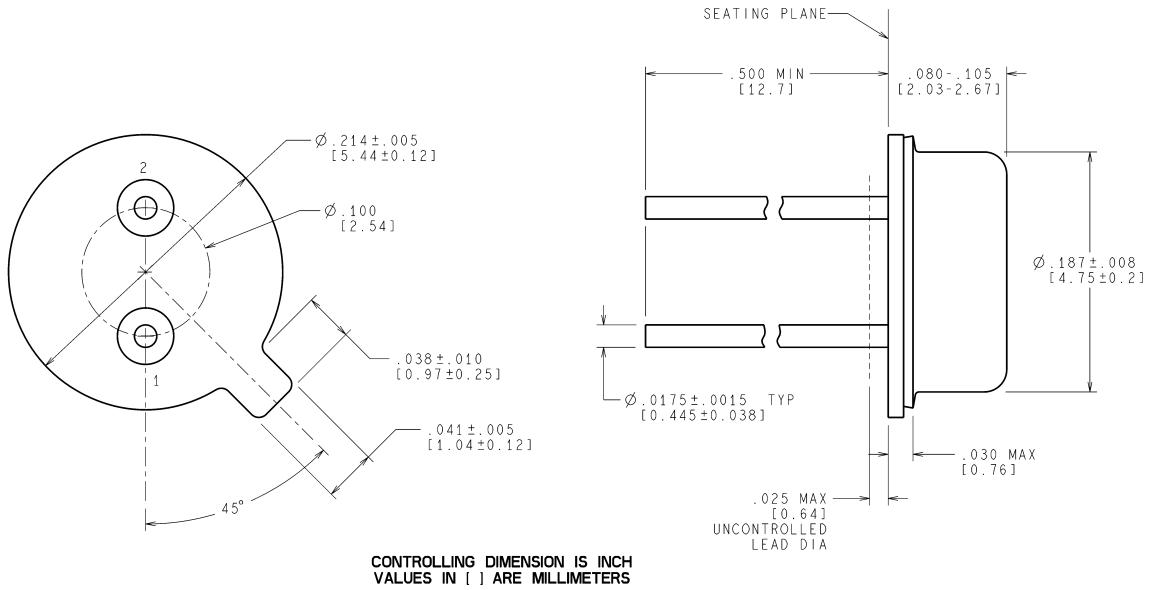
1. Adjust TC ADJ pot until voltage across R1 equals Kelvin temperature multiplied by the thermocouple Seebeck coefficient.
2. Adjust zero ADJ pot until voltage across R2 equals the thermocouple Seebeck coefficient multiplied by 273.2.

Thermocouple Type	Seebeck Coefficient ($\mu\text{V}/^\circ\text{C}$)	R1 (Ω)	R2 (Ω)	Voltage Across R1 @ 25°C (mV)	Voltage Across R2 (mV)
J	52.3	523	24k	15.60	14.32
T	42.8	432	1k	12.77	11.78
K	40.8	412	53 Ω	12.17	11.17
S	6.4	63.4	50 Ω	1.908	1.766

Revision History Section

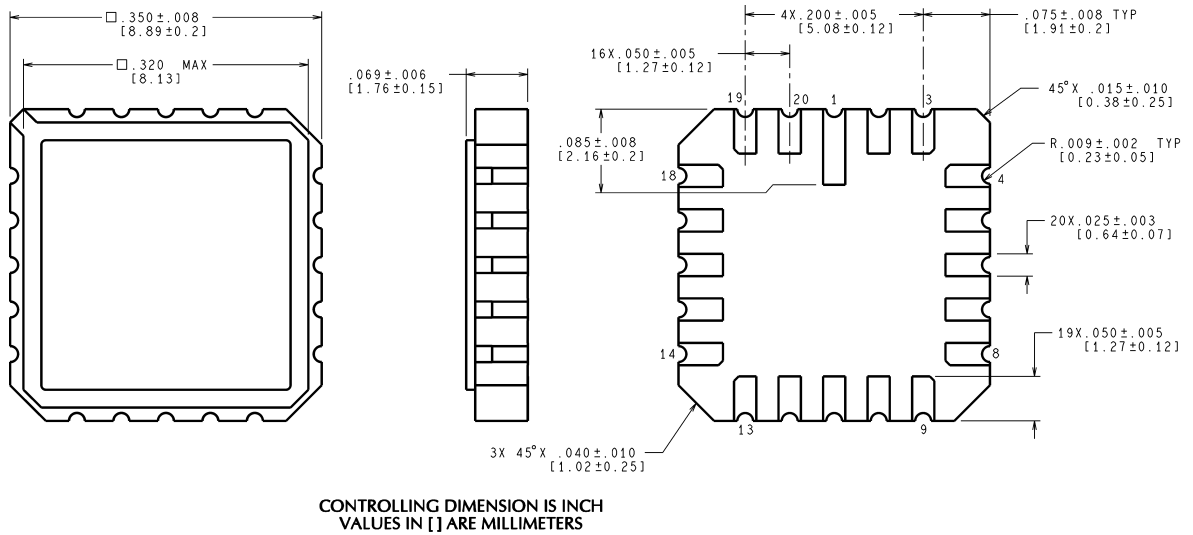
Released	Revision	Section	Originator	Changes
10/07/05	A	New Release, Corporate format	L. Lytle	2 MDS data sheets converted into one Corp. data sheet format. MNLM185-1.2-X Rev 2A3 and MNLM185BY-1.2-X Rev 0B0 data sheets will be archived.

Physical Dimensions inches (millimeters) unless otherwise noted



H02A (Rev F)

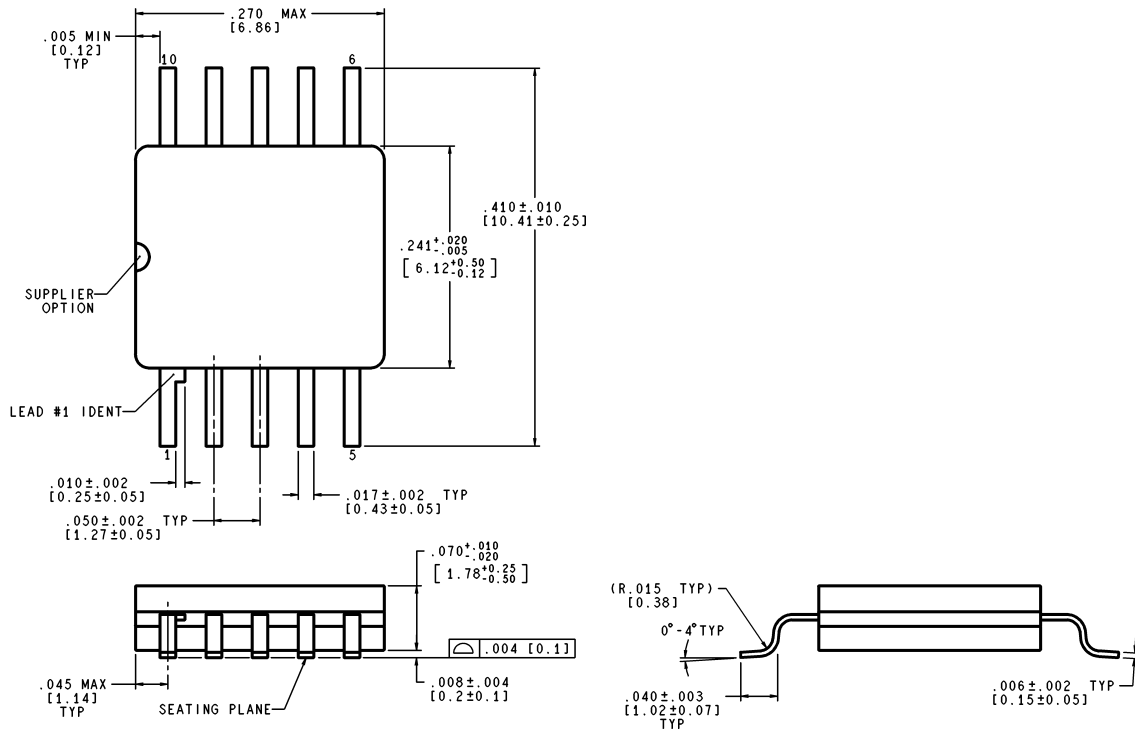
**TO-46 Metal Can Package (H)
NS Package Number H02A**



E20A (Rev F)

**Leadless Chip Carrier Package (E)
NS Package Number E20A**

Physical Dimensions inches (millimeters) unless otherwise noted (Continued)



CONTROLLING DIMENSION IS INCH
VALUES IN [] ARE MILLIMETERS

WG10A (Rev C)

**Ceramic SOIC Package (WG)
NS Package Number WG10A**

National does not assume any responsibility for use of any circuitry described, no circuit patent licenses are implied and National reserves the right at any time without notice to change said circuitry and specifications.

For the most current product information visit us at www.national.com.

LIFE SUPPORT POLICY

NATIONAL'S PRODUCTS ARE NOT AUTHORIZED FOR USE AS CRITICAL COMPONENTS IN LIFE SUPPORT DEVICES OR SYSTEMS WITHOUT THE EXPRESS WRITTEN APPROVAL OF THE PRESIDENT AND GENERAL COUNSEL OF NATIONAL SEMICONDUCTOR CORPORATION. As used herein:

1. Life support devices or systems are devices or systems which, (a) are intended for surgical implant into the body, or (b) support or sustain life, and whose failure to perform when properly used in accordance with instructions for use provided in the labeling, can be reasonably expected to result in a significant injury to the user.
2. A critical component is any component of a life support device or system whose failure to perform can be reasonably expected to cause the failure of the life support device or system, or to affect its safety or effectiveness.

BANNED SUBSTANCE COMPLIANCE

National Semiconductor manufactures products and uses packing materials that meet the provisions of the Customer Products Stewardship Specification (CSP-9-111C2) and the Banned Substances and Materials of Interest Specification (CSP-9-111S2) and contain no "Banned Substances" as defined in CSP-9-111S2.

Leadfree products are RoHS compliant.



National Semiconductor
Americas Customer
Support Center
Email: new.feedback@nsc.com
Tel: 1-800-272-9959

National Semiconductor
Europe Customer Support Center
Fax: +49 (0) 180-530 85 86
Email: europe.support@nsc.com
Deutsch Tel: +49 (0) 69 9508 6208
English Tel: +44 (0) 870 24 0 2171
Français Tel: +33 (0) 1 41 91 8790

National Semiconductor
Asia Pacific Customer
Support Center
Email: ap.support@nsc.com

National Semiconductor
Japan Customer Support Center
Fax: 81-3-5639-7507
Email: jpn.feedback@nsc.com
Tel: 81-3-5639-7560

www.national.com