

LM117/LM317A/LM317

3-Terminal Adjustable Regulator

General Description

The LM117 series of adjustable 3-terminal positive voltage regulators is capable of supplying in excess of 1.5A over a 1.2V to 37V output range. They are exceptionally easy to use and require only two external resistors to set the output voltage. Further, both line and load regulation are better than standard fixed regulators. Also, the LM117 is packaged in standard transistor packages which are easily mounted and handled.

In addition to higher performance than fixed regulators, the LM117 series offers full overload protection available only in IC's. Included on the chip are current limit, thermal overload protection and safe area protection. All overload protection circuitry remains fully functional even if the adjustment terminal is disconnected.

Normally, no capacitors are needed unless the device is situated more than 6 inches from the input filter capacitors in which case an input bypass is needed. An optional output capacitor can be added to improve transient response. The adjustment terminal can be bypassed to achieve very high ripple rejection ratios which are difficult to achieve with standard 3-terminal regulators.

Besides replacing fixed regulators, the LM117 is useful in a wide variety of other applications. Since the regulator is "floating" and sees only the input-to-output differential voltage, supplies of several hundred volts can be regulated as long as

the maximum input to output differential is not exceeded, i.e., avoid short-circuiting the output.

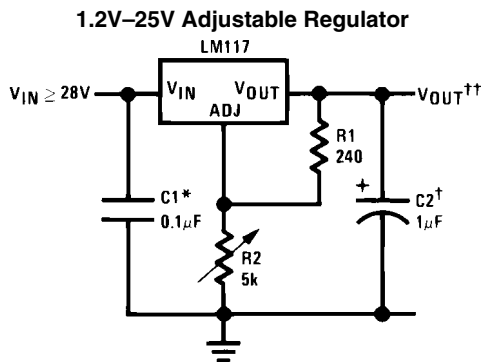
Also, it makes an especially simple adjustable switching regulator, a programmable output regulator, or by connecting a fixed resistor between the adjustment pin and output, the LM117 can be used as a precision current regulator. Supplies with electronic shutdown can be achieved by clamping the adjustment terminal to ground which programs the output to 1.2V where most loads draw little current.

For applications requiring greater output current, see LM150 series (3A) and LM138 series (5A) data sheets. For the negative complement, see LM137 series data sheet.

Features

- Guaranteed 1% output voltage tolerance (LM317A)
- Guaranteed max. 0.01%/V line regulation (LM317A)
- Guaranteed max. 0.3% load regulation (LM117)
- Guaranteed 1.5A output current
- Adjustable output down to 1.2V
- Current limit constant with temperature
- P+ Product Enhancement tested
- 80 dB ripple rejection
- Output is short-circuit protected

Typical Applications



906301

Full output current not available at high input-output voltages

*Needed if device is more than 6 inches from filter capacitors.

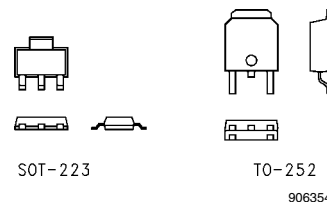
†Optional—improves transient response. Output capacitors in the range of 1µF to 1000µF of aluminum or tantalum electrolytic are commonly used to provide improved output impedance and rejection of transients.

$$\dagger\dagger V_{OUT} = 1.25V \left(1 + \frac{R_2}{R_1} \right) + I_{ADJ}(R_2)$$

LM117/LM317A/LM317 Package Options

| Part Number | Suffix | Package | Output Current |
|----------------------|--------|---------|----------------|
| LM117, LM317 | K | TO-3 | 1.5A |
| LM317 | T | TO-220 | 1.5A |
| LM317 | S | TO-263 | 1.5A |
| LM317A, LM317 | EMP | SOT-223 | 1.0A |
| LM117, LM317A, LM317 | H | TO-39 | 0.5A |
| LM117 | E | LCC | 0.5A |
| LM317A, LM317 | MDT | TO-252 | 0.5A |

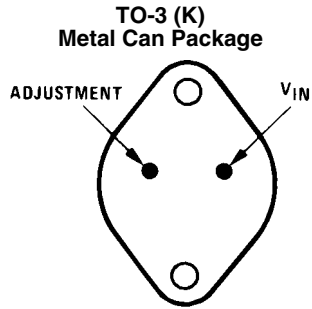
SOT-223 vs. TO-252 (D-Pak) Packages



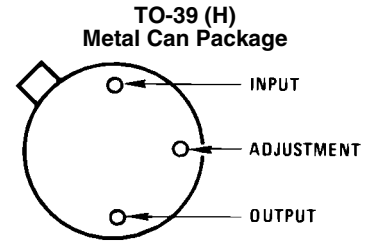
Scale 1:1

906354

Connection Diagrams



906330

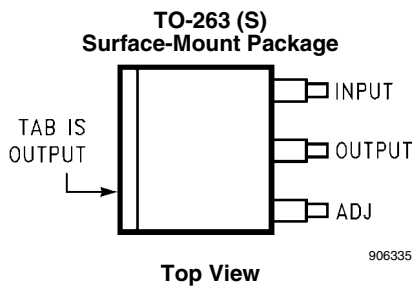


906331

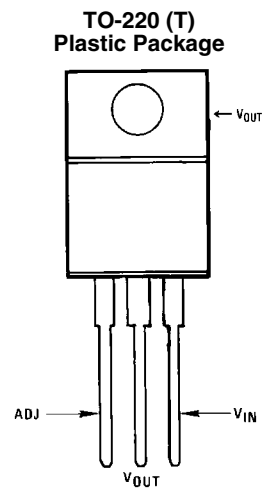
CASE IS OUTPUT

**Bottom View
NS Package Number H03A**

**Bottom View
Steel Package
NS Package Number K02A or K02C**

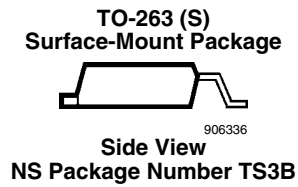


906335

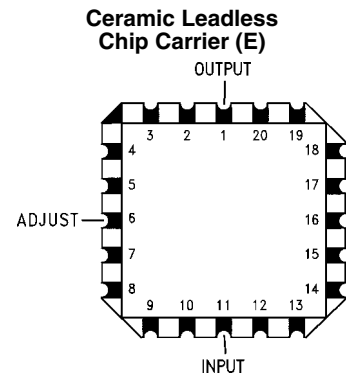


906332

**Front View
NS Package Number T03B**

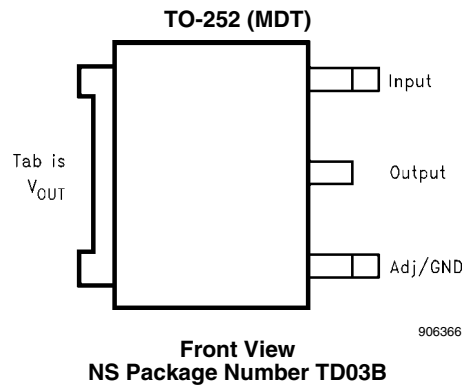
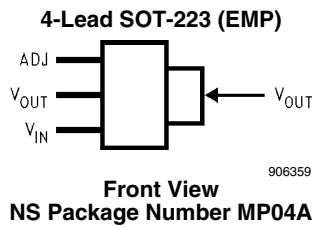


906336



906334

**Top View
NS Package Number E20A**



Ordering Information

| Package | Temperature Range | Output Current | Order Number | Package Marking | Transport Media | NSC Drawing |
|-----------------------------|----------------------------------------------------------|----------------|--------------|-----------------|--------------------------|-------------|
| TO-3 Metal Can (K) | $-55^{\circ}\text{C} \leq T_J \leq +150^{\circ}\text{C}$ | 1.5A | LM117K STEEL | LM117K STEEL P+ | 50 Per Bag | K02A |
| | $0^{\circ}\text{C} \leq T_J \leq +125^{\circ}\text{C}$ | 1.5A | LM317K STEEL | LM317K STEEL P+ | 50 Per Bag | |
| | $-55^{\circ}\text{C} \leq T_J \leq +150^{\circ}\text{C}$ | 1.5A | LM117K/883 | LM117K/883 | 50 Per Bag | K02C |
| TO-220 3- Lead | $-40^{\circ}\text{C} \leq T_J \leq +125^{\circ}\text{C}$ | 1.5A | LM317AT | LM317AT P+ | 45 Units/Rail | T03B |
| | $0^{\circ}\text{C} \leq T_J \leq +125^{\circ}\text{C}$ | 1.5A | LM317T | LM317T P+ | 45 Units/Rail | |
| TO-263 3- Lead | $0^{\circ}\text{C} \leq T_J \leq +125^{\circ}\text{C}$ | 1.5A | LM317S | LM317S P+ | 45 Units/Rail | TS3B |
| | | | LM317SX | | 500 Units Tape and Reel | |
| SOT-223 4- Lead | $0^{\circ}\text{C} \leq T_J \leq +125^{\circ}\text{C}$ | 1.0A | LM317EMP | N01A | 1k Units Tape and Reel | MP04A |
| | | | LM317EMPX | | 2k Units Tape and Reel | |
| | $-40^{\circ}\text{C} \leq T_J \leq +125^{\circ}\text{C}$ | 1.0A | LM317AEMP | N07A | 1k Units Tape and Reel | |
| | | | LM317AEMPX | | 2k Units Tape and Reel | |
| TO-39 Metal Can (H) | $-55^{\circ}\text{C} \leq T_J \leq +150^{\circ}\text{C}$ | 0.5A | LM117H | LM117H P+ | 500 Per Box | H03A |
| | $-55^{\circ}\text{C} \leq T_J \leq +150^{\circ}\text{C}$ | 0.5A | LM117H/883 | LM117H/883 | 20 Per Tray | |
| | $-40^{\circ}\text{C} \leq T_J \leq +125^{\circ}\text{C}$ | 0.5A | LM317AH | LM317AH P+ | 500 Per Box | |
| | $0^{\circ}\text{C} \leq T_J \leq +125^{\circ}\text{C}$ | 0.5A | LM317H | LM317H P+ | 500 Per Box | |
| LCC | $-55^{\circ}\text{C} \leq T_J \leq +150^{\circ}\text{C}$ | 0.5A | LM117E/883 | LM117E/883 | 50 Units/Rail | E20A |
| TO-252 3- Lead D-Pack | $0^{\circ}\text{C} \leq T_J \leq +125^{\circ}\text{C}$ | 0.5A | LM317MDT | LM317MDT | 75 Units/Rail | TD03B |
| | | | LM317MDTX | | 2.5k Units Tape and Reel | |
| | $-40^{\circ}\text{C} \leq T_J \leq +125^{\circ}\text{C}$ | 0.5A | LM317AMDT | LM317AMDT | 75 Units/Rail | |
| | | | LM317AMDTX | | 2.5k Units Tape and Reel | |

Absolute Maximum Ratings (Note 1)

If Military/Aerospace specified devices are required, please contact the National Semiconductor Sales Office/Distributors for availability and specifications.

| | |
|----------------------------------------|--------------------|
| Power Dissipation | Internally Limited |
| Input-Output Voltage Differential | +40V, -0.3V |
| Storage Temperature | -65°C to +150°C |
| Lead Temperature | |
| Metal Package (Soldering, 10 seconds) | 300°C |
| Plastic Package (Soldering, 4 seconds) | 260°C |
| ESD Tolerance (Note 5) | 3 kV |

Operating Temperature Range

| | |
|--------|----------------------------------------------------------|
| LM117 | $-55^{\circ}\text{C} \leq T_J \leq +150^{\circ}\text{C}$ |
| LM317A | $-40^{\circ}\text{C} \leq T_J \leq +125^{\circ}\text{C}$ |
| LM317 | $0^{\circ}\text{C} \leq T_J \leq +125^{\circ}\text{C}$ |

Preconditioning

| | |
|-----------------------|------------------|
| Thermal Limit Burn-In | All Devices 100% |
|-----------------------|------------------|

LM117 Electrical Characteristics (Note 3)

Specifications with standard type face are for $T_J = 25^{\circ}\text{C}$, and those with **boldface type** apply over full Operating Temperature Range. Unless otherwise specified, $V_{IN} - V_{OUT} = 5\text{V}$, and $I_{OUT} = 10\text{ mA}$.

| Parameter | Conditions | LM117 (Note 2) | | | |
|----------------------------------------------------------------------------|---------------------------------------------------------------------------------------------------|--------------------------|--------------------------|--------------------------|----------------------|
| | | Min | Typ | Max | Units |
| Reference Voltage | $3\text{V} \leq (V_{IN} - V_{OUT}) \leq 40\text{V}$, $10\text{ mA} \leq I_{OUT} \leq I_{MAX}$ | 1.20 | 1.25 | 1.30 | V |
| Line Regulation | $3\text{V} \leq (V_{IN} - V_{OUT}) \leq 40\text{V}$ (Note 4) | | 0.01 0.02 | 0.02 0.05 | %/V |
| Load Regulation | $10\text{ mA} \leq I_{OUT} \leq I_{MAX}$ (Note 4) | | 0.1 0.3 | 0.3 1 | % |
| Thermal Regulation | 20 ms Pulse | | 0.03 | 0.07 | %/W |
| Adjustment Pin Current | | | 50 | 100 | μA |
| Adjustment Pin Current Change | $10\text{ mA} \leq I_{OUT} \leq I_{MAX}$ $3\text{V} \leq (V_{IN} - V_{OUT}) \leq 40\text{V}$ | | 0.2 | 5 | μA |
| Temperature Stability | $T_{MIN} \leq T_J \leq T_{MAX}$ | | 1 | | % |
| Minimum Load Current | $(V_{IN} - V_{OUT}) = 40\text{V}$ | | 3.5 | 5 | mA |
| Current Limit | $(V_{IN} - V_{OUT}) \leq 15\text{V}$ K Package H, E Package | 1.5 0.5 | 2.2 0.8 | 3.4 1.8 | A |
| | $(V_{IN} - V_{OUT}) = 40\text{V}$ K Package H, E Package | 0.3 0.15 | 0.4 0.20 | | A |
| RMS Output Noise, % of V_{OUT} | $10\text{ Hz} \leq f \leq 10\text{ kHz}$ | | 0.003 | | % |
| Ripple Rejection Ratio | $V_{OUT} = 10\text{V}$, $f = 120\text{ Hz}$, $C_{ADJ} = 0\text{ }\mu\text{F}$ | | 65 | | dB |
| | $V_{OUT} = 10\text{V}$, $f = 120\text{ Hz}$, $C_{ADJ} = 10\text{ }\mu\text{F}$ | 66 | 80 | | dB |
| Long-Term Stability | $T_J = 125^{\circ}\text{C}$, 1000 hrs | | 0.3 | 1 | % |
| Thermal Resistance, θ_{JC} Junction-to-Case | K (TO-3) Package | | 2 | | $^{\circ}\text{C/W}$ |
| | H (TO-39) Package | | 21 | | |
| | E (LCC) Package | | 12 | | |
| Thermal Resistance, θ_{JA} Junction-to-Ambient (No Heat Sink) | K (TO-3) Package | | 39 | | $^{\circ}\text{C/W}$ |
| | H (TO-39) Package | | 186 | | |
| | E (LCC) Package | | 88 | | |

LM317A and LM317 Electrical Characteristics (Note 3)

Specifications with standard type face are for $T_J = 25^\circ\text{C}$, and those with **boldface type** apply over **full Operating Temperature Range**. Unless otherwise specified, $V_{IN} - V_{OUT} = 5\text{V}$, and $I_{OUT} = 10\text{ mA}$.

| Parameter | Conditions | LM317A | | | LM317 | | | Units |
|----------------------------------------------------------------------------|---------------------------------------------------------------------------------------------------|-------------------------------|-------------------------------|-------------------------------|----------------------------------------|----------------------------------------|----------------------------------------|--------------------|
| | | Min | Typ | Max | Min | Typ | Max | |
| Reference Voltage | | 1.238 | 1.250 | 1.262 | - | 1.25 | - | V |
| | $3\text{V} \leq (V_{IN} - V_{OUT}) \leq 40\text{V}$, $10\text{ mA} \leq I_{OUT} \leq I_{MAX}$ | 1.225 | 1.250 | 1.270 | 1.20 | 1.25 | 1.30 | V |
| Line Regulation | $3\text{V} \leq (V_{IN} - V_{OUT}) \leq 40\text{V}$ (Note 4) | | 0.005 0.01 | 0.01 0.02 | | 0.01 0.02 | 0.04 0.07 | %/V |
| Load Regulation | $10\text{ mA} \leq I_{OUT} \leq I_{MAX}$ (Note 4) | | 0.1 0.3 | 0.5 1 | | 0.1 0.3 | 0.5 1.5 | % |
| Thermal Regulation | 20 ms Pulse | | 0.04 | 0.07 | | 0.04 | 0.07 | %/W |
| Adjustment Pin Current | | | 50 | 100 | | 50 | 100 | μA |
| Adjustment Pin Current Change | $10\text{ mA} \leq I_{OUT} \leq I_{MAX}$ $3\text{V} \leq (V_{IN} - V_{OUT}) \leq 40\text{V}$ | | 0.2 | 5 | | 0.2 | 5 | μA |
| Temperature Stability | $T_{MIN} \leq T_J \leq T_{MAX}$ | | 1 | | | 1 | | % |
| Minimum Load Current | $(V_{IN} - V_{OUT}) = 40\text{V}$ | | 3.5 | 10 | | 3.5 | 10 | mA |
| Current Limit | $(V_{IN} - V_{OUT}) \leq 15\text{V}$ K, T, S Packages EMP Package H, MDT Packages | - 1.5 0.5 | - 2.2 0.8 | - 3.4 1.8 | 1.5 1.5 0.5 | 2.2 2.2 0.8 | 3.4 3.4 1.8 | A |
| | $(V_{IN} - V_{OUT}) = 40\text{V}$ K, T, S Packages EMP Package H, MDT Packages | - 0.112 0.075 | - 0.30 0.20 | | 0.15 0.112 0.075 | 0.40 0.30 0.20 | | A |
| RMS Output Noise, % of V_{OUT} | $10\text{ Hz} \leq f \leq 10\text{ kHz}$ | | 0.003 | | | 0.003 | | % |
| Ripple Rejection Ratio | $V_{OUT} = 10\text{V}$, $f = 120\text{ Hz}$, $C_{ADJ} = 0\text{ }\mu\text{F}$ | | 65 | | | 65 | | dB |
| | $V_{OUT} = 10\text{V}$, $f = 120\text{ Hz}$, $C_{ADJ} = 10\text{ }\mu\text{F}$ | | 66 | 80 | | 66 | 80 | dB |
| Long-Term Stability | $T_J = 125^\circ\text{C}$, 1000 hrs | | 0.3 | 1 | | 0.3 | 1 | % |
| Thermal Resistance, θ_{JC} Junction-to-Case | K (TO-3) Package | | - | | | 2 | | $^\circ\text{C/W}$ |
| | T (TO-220) Package | | - | | | 4 | | |
| | S (TO-263) Package | | - | | | 4 | | |
| | EMP (SOT-223) Package | | 23.5 | | | 23.5 | | |
| | H (TO-39) Package | | 21 | | | 21 | | |
| | MDT (TO-252) Package | | 12 | | | 12 | | |
| Thermal Resistance, θ_{JA} Junction-to-Ambient (No Heat Sink) | K (TO-3) Package | | - | | | 39 | | $^\circ\text{C/W}$ |
| | T (TO-220) Package | | - | | | 50 | | |
| | S (TO-263) Package (Note 6) | | - | | | 50 | | |
| | EMP (SOT-223) Package (Note 6) | | 140 | | | 140 | | |
| | H (TO-39) Package | | 186 | | | 186 | | |
| | MDT (TO-252) Package (Note 6) | | 103 | | | 103 | | |

Note 1: Absolute Maximum Ratings indicate limits beyond which damage to the device may occur. Operating Ratings indicate conditions for which the device is intended to be functional, but do not guarantee specific performance limits. For guaranteed specifications and test conditions, see the Electrical Characteristics. The guaranteed specifications apply only for the test conditions listed.

Note 2: Refer to RETS117H drawing for the LM117H, or the RETS117K for the LM117K military specifications.

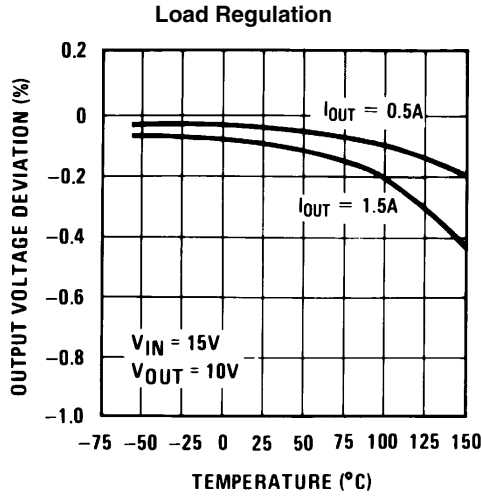
Note 3: $I_{MAX} = 1.5\text{A}$ for the K (TO-3), T (TO-220), and S (TO-263) packages. $I_{MAX} = 1.0\text{A}$ for the EMP (SOT-223) package. $I_{MAX} = 0.5\text{A}$ for the H (TO-39), MDT (TO-252), and E (LCC) packages. Device power dissipation (P_D) is limited by ambient temperature (T_A), device maximum junction temperature (T_J), and package thermal resistance (θ_{JA}). The maximum allowable power dissipation at any temperature is: $P_{D(MAX)} = ((T_{J(MAX)} - T_A)/\theta_{JA})$. All Min. and Max. limits are guaranteed to National's Average Outgoing Quality Level (AOQL).

Note 4: Regulation is measured at a constant junction temperature, using pulse testing with a low duty cycle. Changes in output voltage due to heating effects are covered under the specifications for thermal regulation.

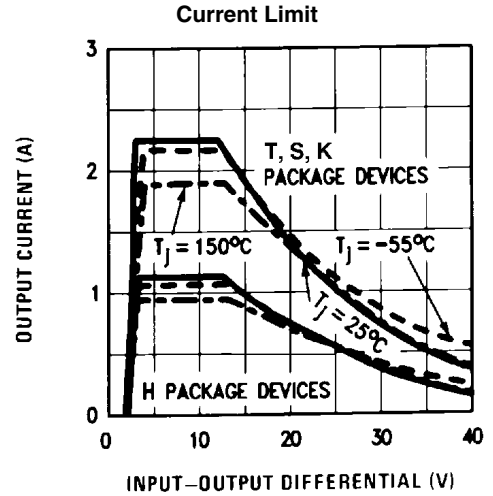
Note 5: Human body model, 100 pF discharged through a 1.5 k Ω resistor.

Note 6: When surface mount packages are used (TO-263, SOT-223, TO-252), the junction to ambient thermal resistance can be reduced by increasing the PC board copper area that is thermally connected to the package. See the Applications Hints section for heatsink techniques.

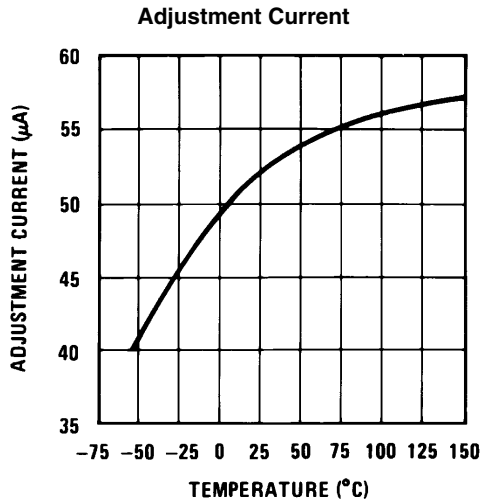
Typical Performance Characteristics Output Capacitor = 0 μ F unless otherwise noted



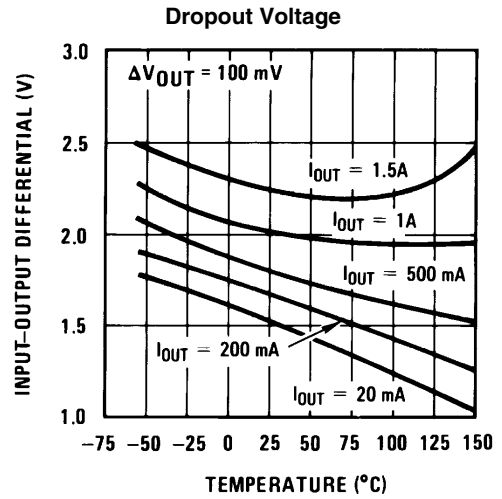
906337



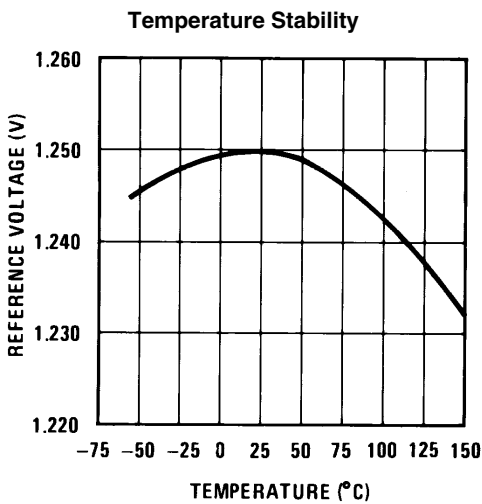
906338



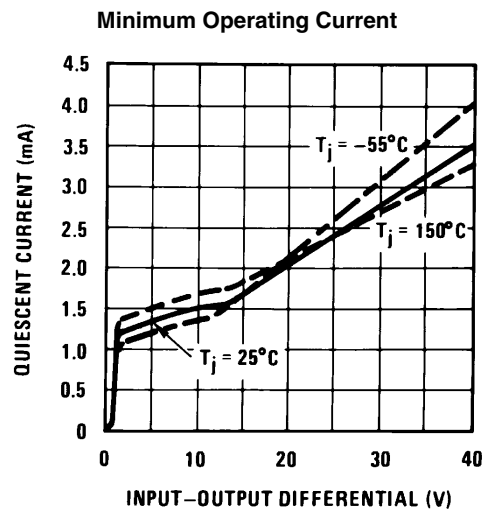
906339



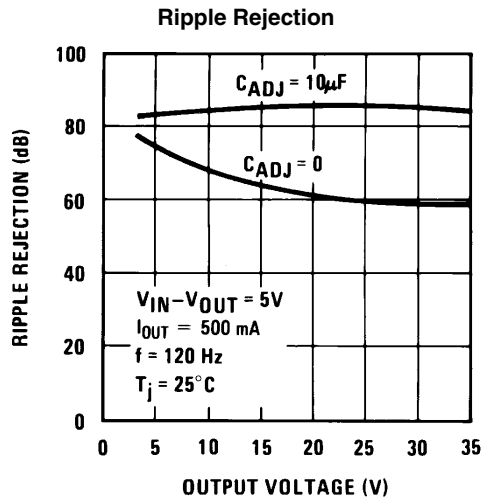
906340



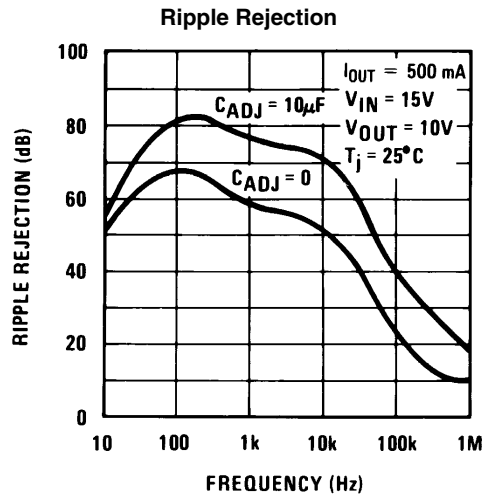
906341



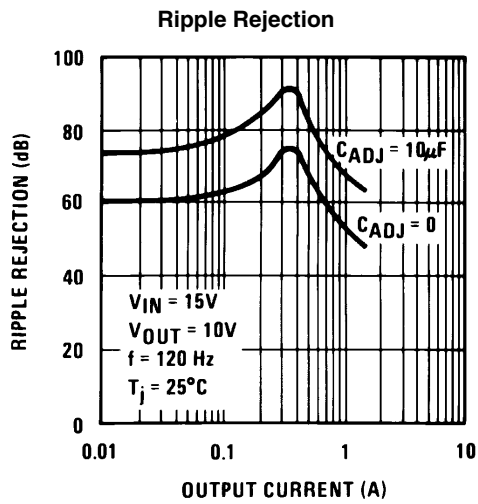
906342



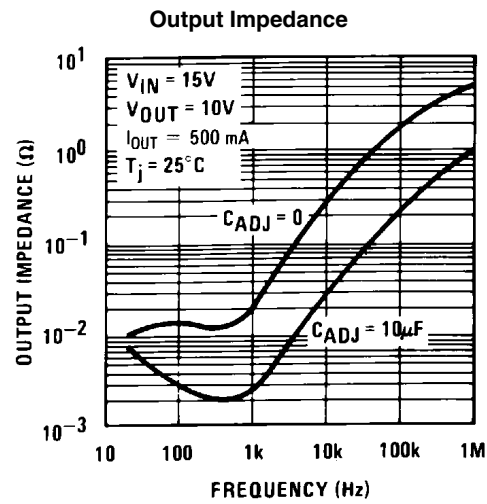
906343



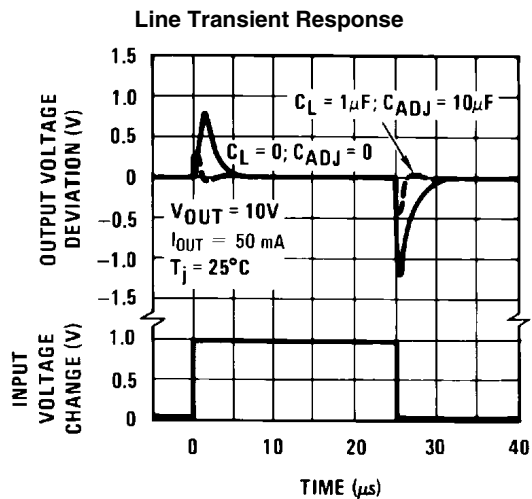
906344



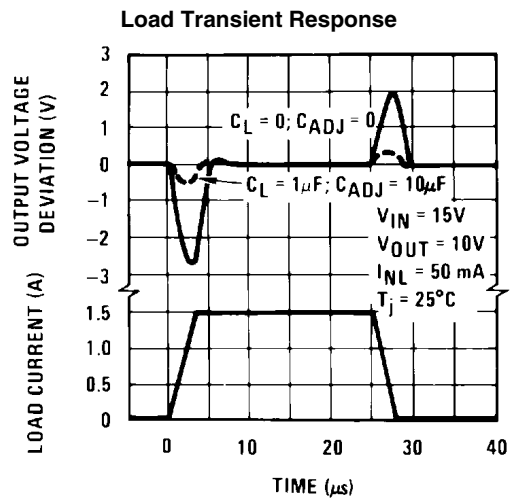
906345



906346



906347



906348

Application Hints

In operation, the LM117 develops a nominal 1.25V reference voltage, V_{REF} , between the output and adjustment terminal. The reference voltage is impressed across program resistor R_1 and, since the voltage is constant, a constant current I_1 then flows through the output set resistor R_2 , giving an output voltage of

$$V_{OUT} = V_{REF} \left(1 + \frac{R_2}{R_1} \right) + I_{ADJ}R_2 \quad (1)$$

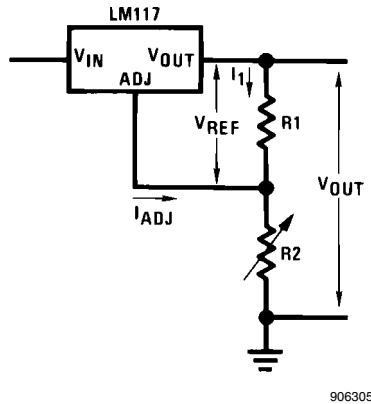


FIGURE 1.

Since the 100 μ A current from the adjustment terminal represents an error term, the LM117 was designed to minimize I_{ADJ} and make it very constant with line and load changes. To do this, all quiescent operating current is returned to the output establishing a minimum load current requirement. If there is insufficient load on the output, the output will rise.

EXTERNAL CAPACITORS

An input bypass capacitor is recommended. A 0.1 μ F disc or 1 μ F solid tantalum on the input is suitable input bypassing for almost all applications. The device is more sensitive to the absence of input bypassing when adjustment or output capacitors are used but the above values will eliminate the possibility of problems.

The adjustment terminal can be bypassed to ground on the LM117 to improve ripple rejection. This bypass capacitor prevents ripple from being amplified as the output voltage is increased. With a 10 μ F bypass capacitor 80dB ripple rejection is obtainable at any output level. Increases over 10 μ F do not appreciably improve the ripple rejection at frequencies above 120Hz. If the bypass capacitor is used, it is sometimes necessary to include protection diodes to prevent the capacitor from discharging through internal low current paths and damaging the device.

In general, the best type of capacitors to use is solid tantalum. Solid tantalum capacitors have low impedance even at high frequencies. Depending upon capacitor construction, it takes about 25 μ F in aluminum electrolytic to equal 1 μ F solid tantalum at high frequencies. Ceramic capacitors are also good at high frequencies; but some types have a large decrease in capacitance at frequencies around 0.5 MHz. For this reason, 0.01 μ F disc may seem to work better than a 0.1 μ F disc as a bypass.

Although the LM117 is stable with no output capacitors, like any feedback circuit, certain values of external capacitance can cause excessive ringing. This occurs with values between 500 pF and 5000 pF. A 1 μ F solid tantalum (or 25 μ F

aluminum electrolytic) on the output swamps this effect and insures stability. Any increase of the load capacitance larger than 10 μ F will merely improve the loop stability and output impedance.

LOAD REGULATION

The LM117 is capable of providing extremely good load regulation but a few precautions are needed to obtain maximum performance. The current set resistor connected between the adjustment terminal and the output terminal (usually 240 Ω) should be tied directly to the output (case) of the regulator rather than near the load. This eliminates line drops from appearing effectively in series with the reference and degrading regulation. For example, a 15V regulator with 0.05 Ω resistance between the regulator and load will have a load regulation due to line resistance of $0.05\Omega \times I_L$. If the set resistor is connected near the load the effective line resistance will be 0.05 Ω (1 + R_2/R_1) or in this case, 11.5 times worse.

Figure 2 shows the effect of resistance between the regulator and 240 Ω set resistor.

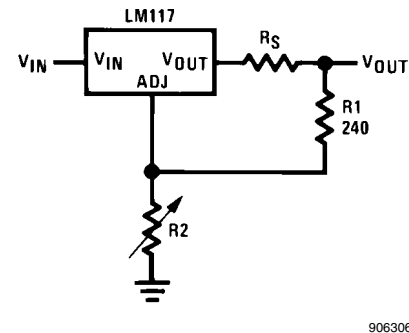


FIGURE 2. Regulator with Line Resistance in Output Lead

With the TO-3 package, it is easy to minimize the resistance from the case to the set resistor, by using two separate leads to the case. However, with the TO-39 package, care should be taken to minimize the wire length of the output lead. The ground of R_2 can be returned near the ground of the load to provide remote ground sensing and improve load regulation.

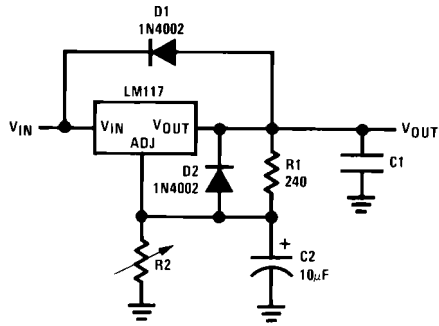
PROTECTION DIODES

When external capacitors are used with any IC regulator it is sometimes necessary to add protection diodes to prevent the capacitors from discharging through low current points into the regulator. Most 10 μ F capacitors have low enough internal series resistance to deliver 20A spikes when shorted. Although the surge is short, there is enough energy to damage parts of the IC.

When an output capacitor is connected to a regulator and the input is shorted, the output capacitor will discharge into the output of the regulator. The discharge current depends on the value of the capacitor, the output voltage of the regulator, and the rate of decrease of V_{IN} . In the LM117, this discharge path is through a large junction that is able to sustain 15A surge with no problem. This is not true of other types of positive regulators. For output capacitors of 25 μ F or less, there is no need to use diodes.

The bypass capacitor on the adjustment terminal can discharge through a low current junction. Discharge occurs when *either* the input, or the output, is shorted. Internal to the LM117 is a 50 Ω resistor which limits the peak discharge current. No protection is needed for output voltages of 25V or less and 10 μ F capacitance. Figure 3 shows an LM117 with protection

diodes included for use with outputs greater than 25V and high values of output capacitance.



906307

$$V_{OUT} = 1.25V \left(1 + \frac{R2}{R1} \right) + I_{ADJ}R2 \quad (2)$$

D1 protects against C1
D2 protects against C2

FIGURE 3. Regulator with Protection Diodes

HEATSINK REQUIREMENTS

The LM317 regulators have internal thermal shutdown to protect the device from over-heating. Under all operating conditions, the junction temperature of the LM317 should not exceed the rated maximum junction temperature (T_J) of 150°C for the LM117, or 125°C for the LM317A and LM317. A heatsink may be required depending on the maximum device power dissipation and the maximum ambient temperature of the application. To determine if a heatsink is needed, the power dissipated by the regulator, P_D , must be calculated:

$$P_D = ((V_{IN} - V_{OUT}) \times I_L) + (V_{IN} \times I_G) \quad (3)$$

Figure 4 shows the voltage and currents which are present in the circuit.

The next parameter which must be calculated is the maximum allowable temperature rise, $T_{R(MAX)}$:

$$T_{R(MAX)} = T_{J(MAX)} - T_{A(MAX)} \quad (4)$$

where $T_{J(MAX)}$ is the maximum allowable junction temperature (150°C for the LM117, or 125°C for the LM317A/LM317), and $T_{A(MAX)}$ is the maximum ambient temperature which will be encountered in the application.

Using the calculated values for $T_{R(MAX)}$ and P_D , the maximum allowable value for the junction-to-ambient thermal resistance (θ_{JA}) can be calculated:

$$\theta_{JA} = (T_{R(MAX)} / P_D) \quad (5)$$

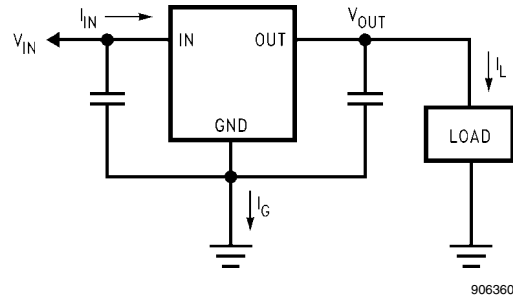


FIGURE 4. Power Dissipation Diagram

If the calculated maximum allowable thermal resistance is higher than the actual package rating, then no additional work is needed. If the calculated maximum allowable thermal resistance is lower than the actual package rating either the power dissipation (P_D) needs to be reduced, the maximum ambient temperature $T_{A(MAX)}$ needs to be reduced, the thermal resistance (θ_{JA}) must be lowered by adding a heatsink, or some combination of these.

If a heatsink is needed, the value can be calculated from the formula:

$$\theta_{HA} \leq (\theta_{JA} - (\theta_{CH} + \theta_{JC})) \quad (6)$$

where θ_{CH} is the thermal resistance of the contact area between the device case and the heatsink surface, and θ_{JC} is thermal resistance from the junction of the die to surface of the package case.

When a value for $\theta_{(H-A)}$ is found using the equation shown, a heatsink must be selected that has a value that is less than, or equal to, this number.

The $\theta_{(H-A)}$ rating is specified numerically by the heatsink manufacturer in the catalog, or shown in a curve that plots temperature rise vs power dissipation for the heatsink.

HEATSINKING SURFACE MOUNT PACKAGES

The TO-263 (S), SOT-223 (EMP) and TO-252 (MDT) packages use a copper plane on the PCB and the PCB itself as a heatsink. To optimize the heat sinking ability of the plane and PCB, solder the tab of the package to the plane.

HEATSINKING THE SOT-223 PACKAGE

Figure 5 and Figure 6 show the information for the SOT-223 package. Figure 6 assumes a $\theta_{(J-A)}$ of 74°C/W for 1 ounce copper and 51°C/W for 2 ounce copper and a maximum junction temperature of 125°C. Please see AN-1028 for thermal enhancement techniques to be used with SOT-223 and TO-252 packages.

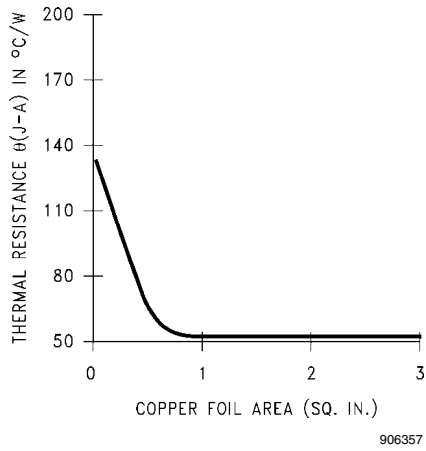


FIGURE 5. $\theta_{(J-A)}$ vs Copper (2 ounce) Area for the SOT-223 Package

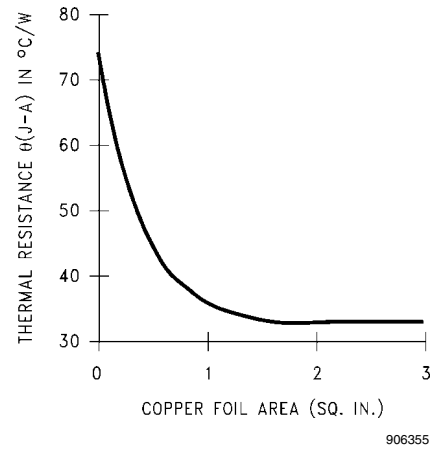


FIGURE 7. $\theta_{(J-A)}$ vs Copper (1 ounce) Area for the TO-263 Package

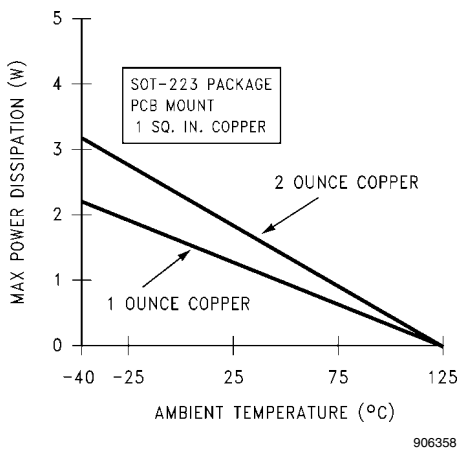


FIGURE 6. Maximum Power Dissipation vs T_{AMB} for the SOT-223 Package

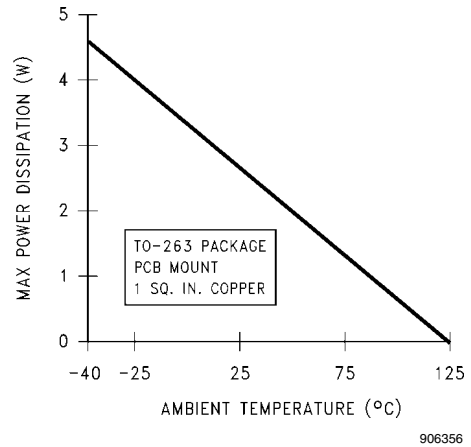


FIGURE 8. Maximum Power Dissipation vs T_{AMB} for the TO-263 Package

HEATSINKING THE TO-263 PACKAGE

Figure 7 shows for the TO-263 the measured values of $\theta_{(J-A)}$ for different copper area sizes using a typical PCB with 1 ounce copper and no solder mask over the copper area used for heatsinking.

As shown in Figure 7, increasing the copper area beyond 1 square inch produces very little improvement. It should also be observed that the minimum value of $\theta_{(J-A)}$ for the TO-263 package mounted to a PCB is 32°C/W.

HEATSINKING THE TO-252 PACKAGE

If the maximum allowable value for θ_{JA} is found to be $\geq 103^\circ\text{C/W}$ (Typical Rated Value) for TO-252 package, no heatsink is needed since the package alone will dissipate enough heat to satisfy these requirements. If the calculated value for θ_{JA} falls below these limits, a heatsink is required.

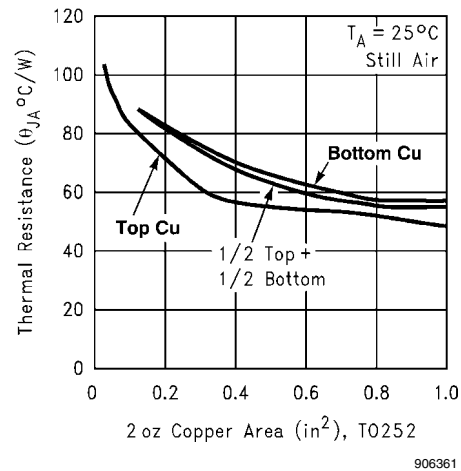
As a design aid, Table 1 shows the value of the θ_{JA} of TO-252 for different heatsink area. The copper patterns that we used to measure these θ_{JA} s are shown at the end of the Application Notes Section. Figure 9 reflects the same test results as what are in Table 1.

Figure 10 shows the maximum allowable power dissipation vs. ambient temperature for the TO-252 device. Figure 11 shows the maximum allowable power dissipation vs. copper area (in²) for the TO-252 device. Please see AN-1028 for thermal enhancement techniques to be used with SOT-223 and TO-252 packages.

TABLE 1. θ_{JA} Different Heatsink Area

| Layout | Copper Area | | Thermal Resistance (θ_{JA} °C/W) TO-252 |
|--------|------------------------------|--------------------------------|----------------------------------------------------|
| | Top Side (in ²)* | Bottom Side (in ²) | |
| 1 | 0.0123 | 0 | 103 |
| 2 | 0.066 | 0 | 87 |
| 3 | 0.3 | 0 | 60 |
| 4 | 0.53 | 0 | 54 |
| 5 | 0.76 | 0 | 52 |
| 6 | 1.0 | 0 | 47 |
| 7 | 0.066 | 0.2 | 84 |
| 8 | 0.066 | 0.4 | 70 |
| 9 | 0.066 | 0.6 | 63 |
| 10 | 0.066 | 0.8 | 57 |
| 11 | 0.066 | 1.0 | 57 |
| 12 | 0.066 | 0.066 | 89 |
| 13 | 0.175 | 0.175 | 72 |
| 14 | 0.284 | 0.284 | 61 |
| 15 | 0.392 | 0.392 | 55 |
| 16 | 0.5 | 0.5 | 53 |

Note: * Tab of device attached to topside of copper.

FIGURE 9. θ_{JA} vs 2oz Copper Area for TO-252

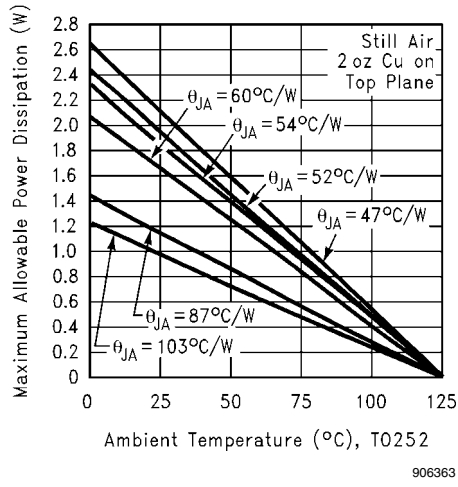


FIGURE 10. Maximum Allowable Power Dissipation vs. Ambient Temperature for TO-252

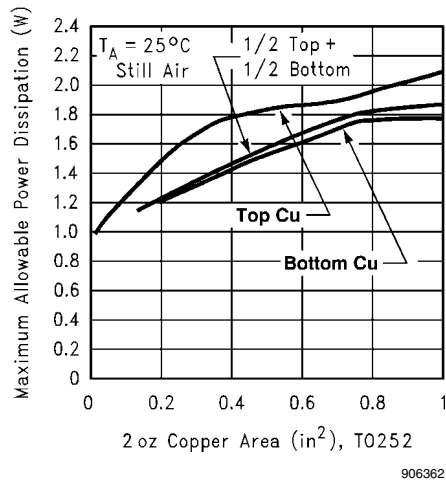
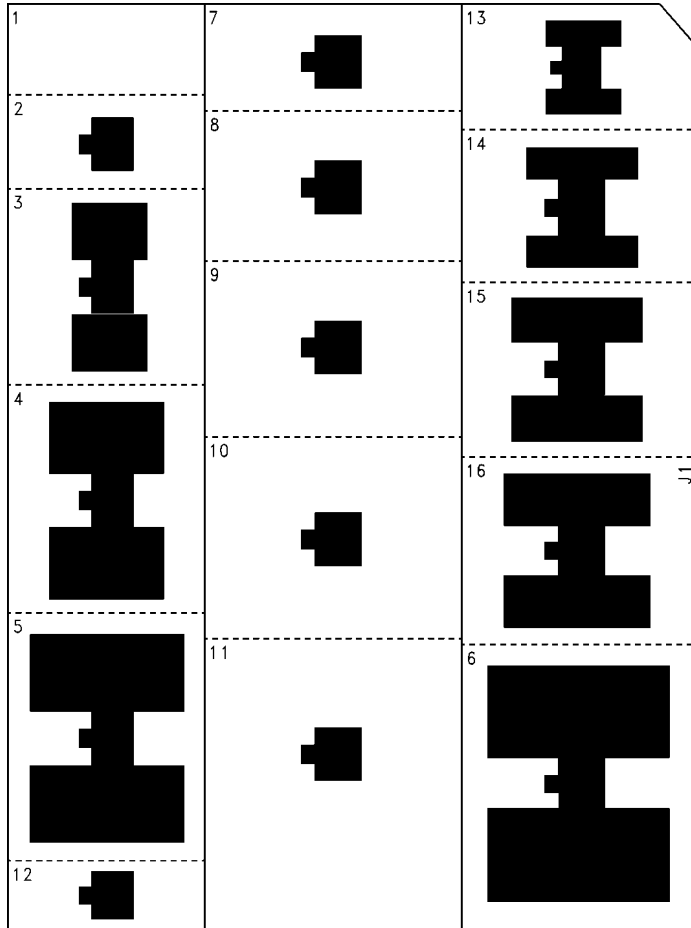
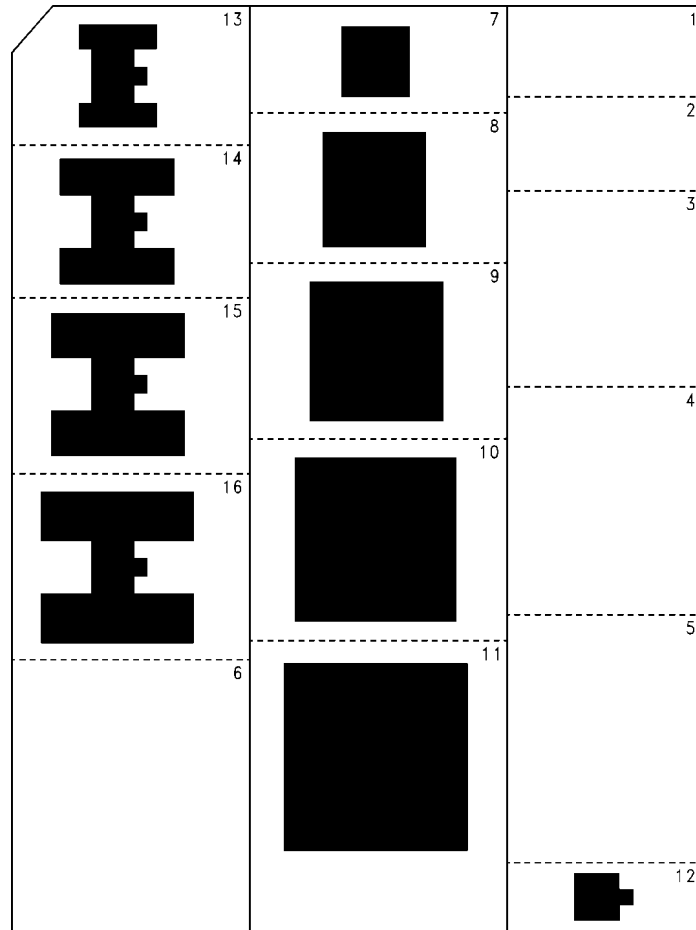


FIGURE 11. Maximum Allowable Power Dissipation vs. 2oz Copper Area for TO-252



906364

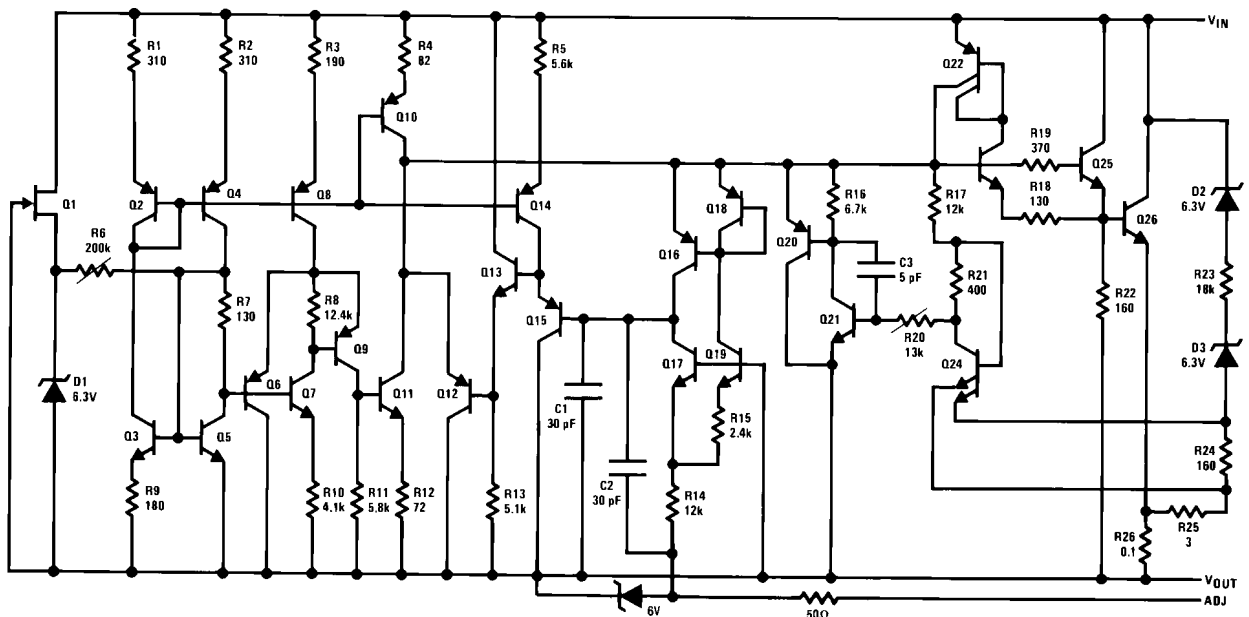
FIGURE 12. Top View of the Thermal Test Pattern in Actual Scale



906365

FIGURE 13. Bottom View of the Thermal Test Pattern in Actual Scale

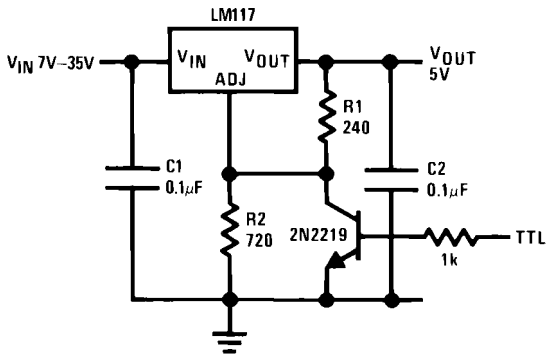
Schematic Diagram



906308

Typical Applications

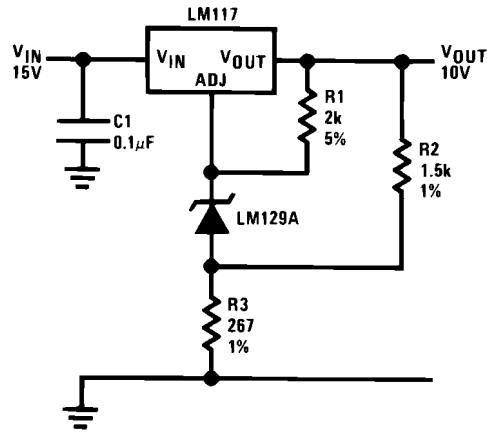
5V Logic Regulator with Electronic Shutdown*



906303

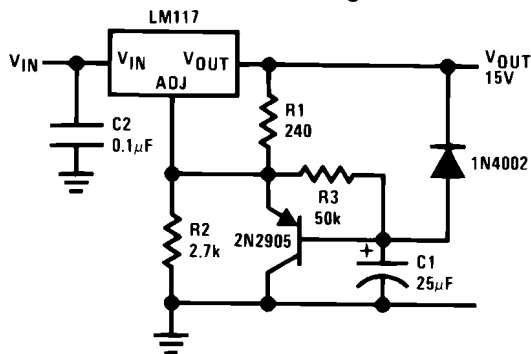
*Min. output $\approx 1.2V$

High Stability 10V Regulator



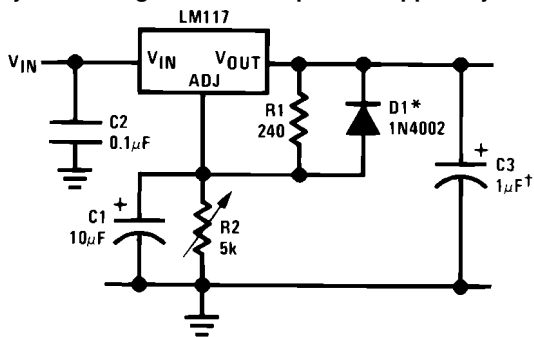
906311

Slow Turn-On 15V Regulator



906309

Adjustable Regulator with Improved Ripple Rejection

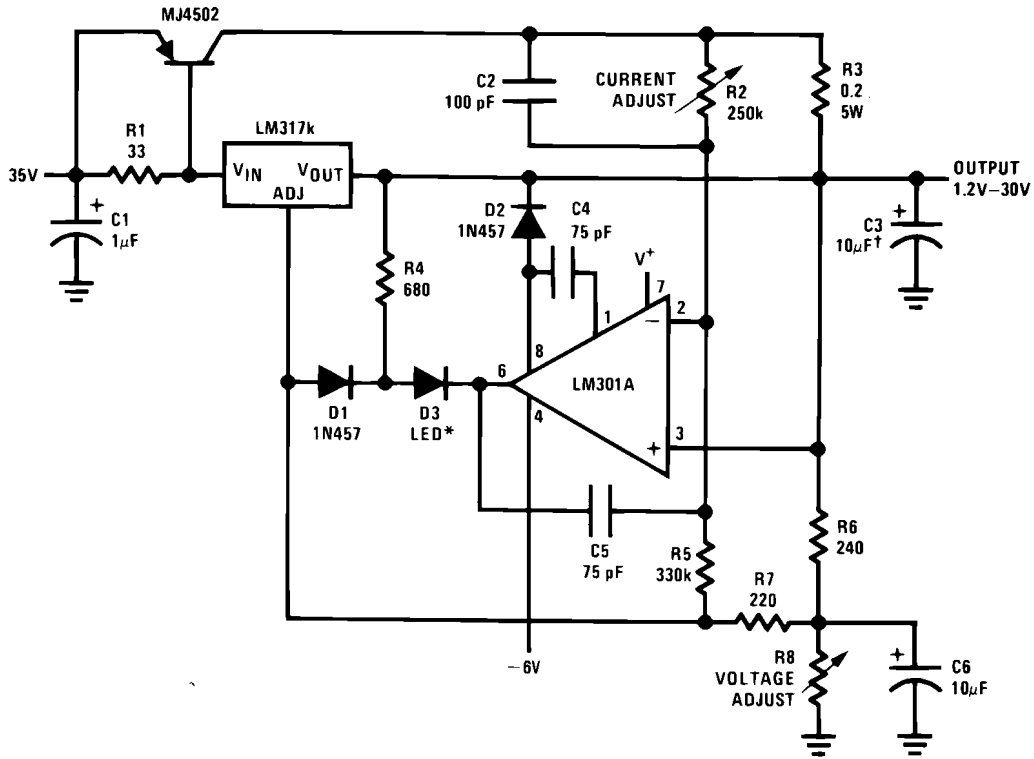


906310

†Solid tantalum

*Discharges C1 if output is shorted to ground

5A Constant Voltage/Constant Current Regulator

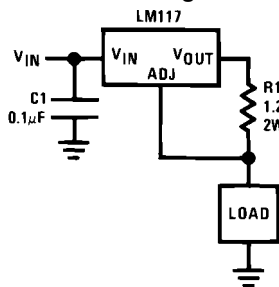


906315

†Solid tantalum

*Lights in constant current mode

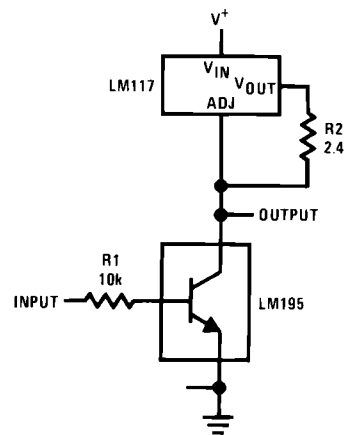
1A Current Regulator



906316

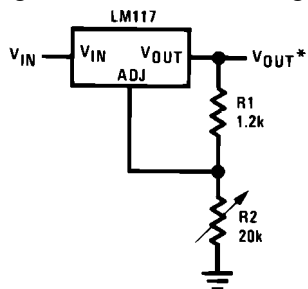
*Minimum load current \approx 4 mA

High Gain Amplifier



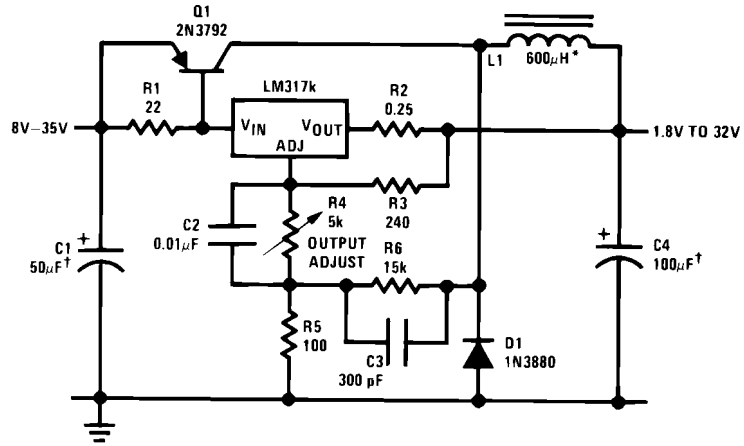
906318

1.2V-20V Regulator with Minimum Program Current



906317

Low Cost 3A Switching Regulator

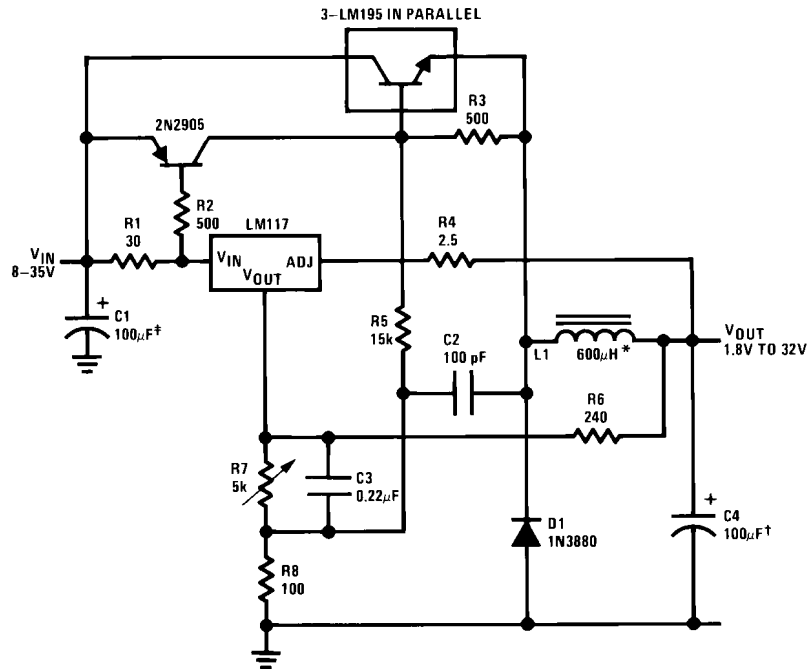


906319

†Solid tantalum

*Core—Arnold A-254168-2 60 turns

4A Switching Regulator with Overload Protection

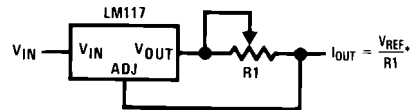


906320

†Solid tantalum

*Core—Arnold A-254168-2 60 turns

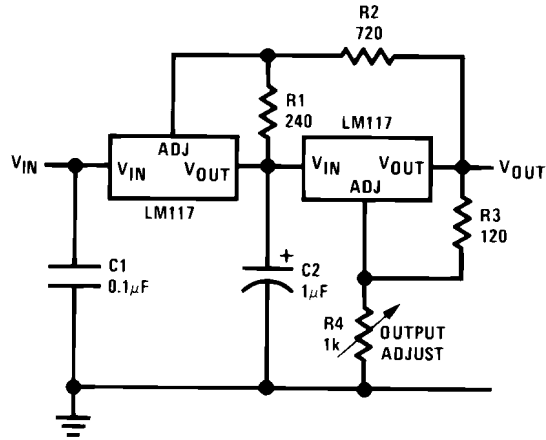
Precision Current Limiter



$$*0.8\Omega \leq R1 \leq 120\Omega$$

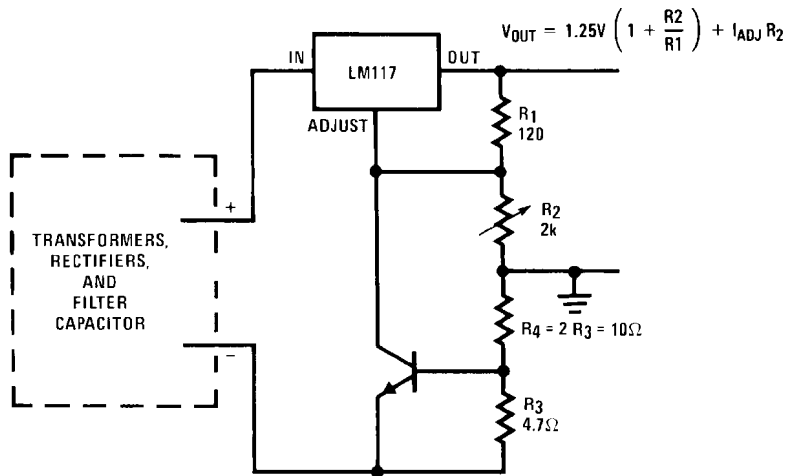
906321

Tracking Preregulator



906322

Current Limited Voltage Regulator



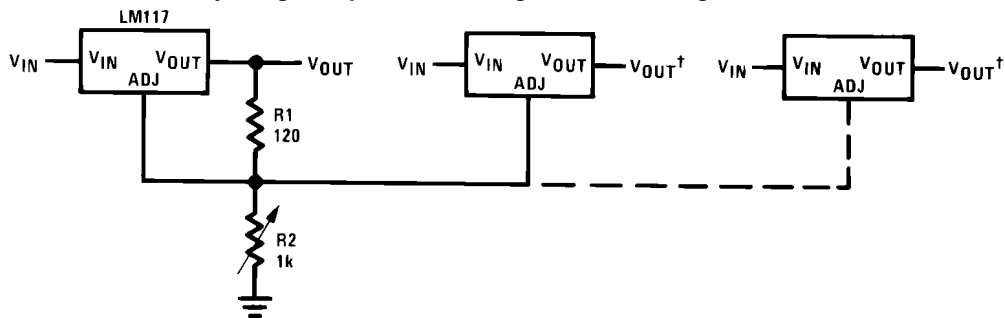
906323

— Short circuit current is approximately $\frac{600 \text{ mV}}{R_3}$, or 120 mA

(Compared to LM117's higher current limit)

—At 50 mA output only 3/4 volt of drop occurs in R_3 and R_4

Adjusting Multiple On-Card Regulators with Single Control*

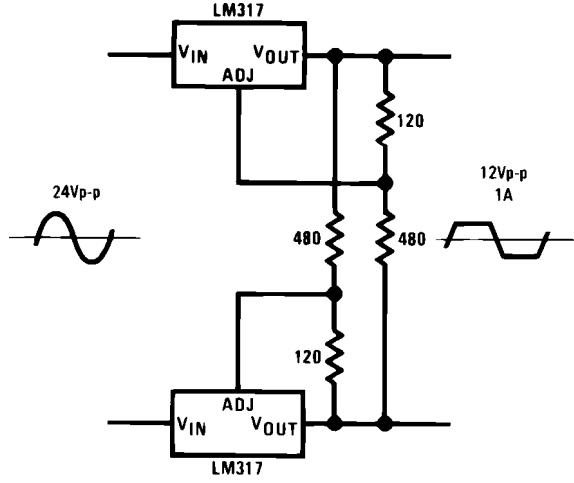


906324

*All outputs within ± 100 mV

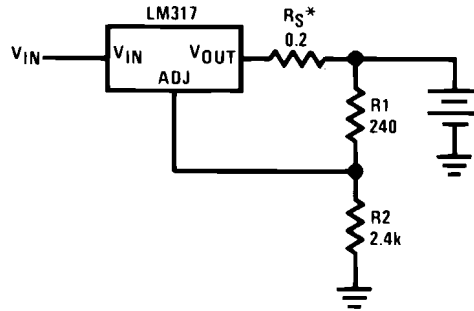
†Minimum load—10 mA

AC Voltage Regulator



906325

12V Battery Charger

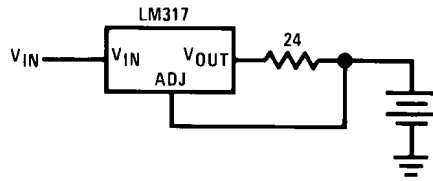


906326

* R_S —sets output impedance of charger: $Z_{OUT} = R_S \left(1 + \frac{R2}{R1} \right)$

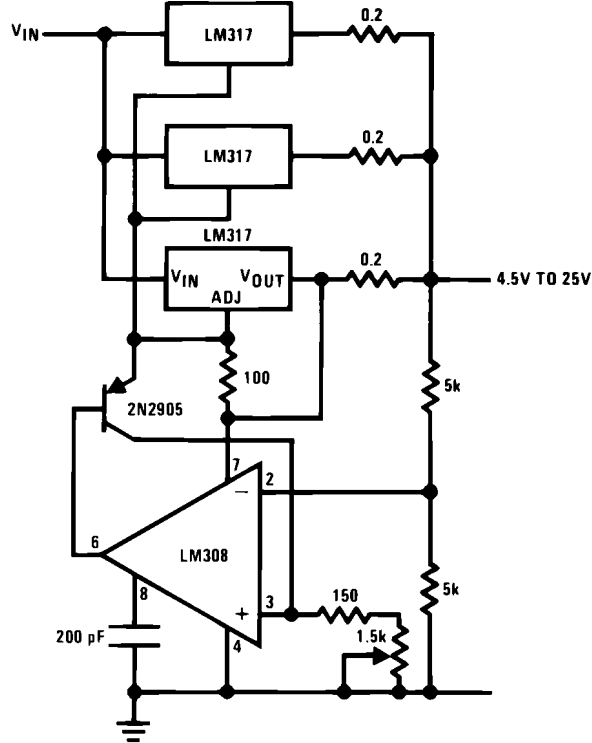
Use of R_S allows low charging rates with fully charged battery.

50mA Constant Current Battery Charger



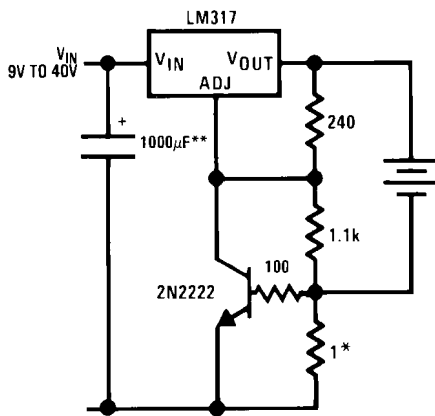
906327

Adjustable 4A Regulator



906328

Current Limited 6V Charger

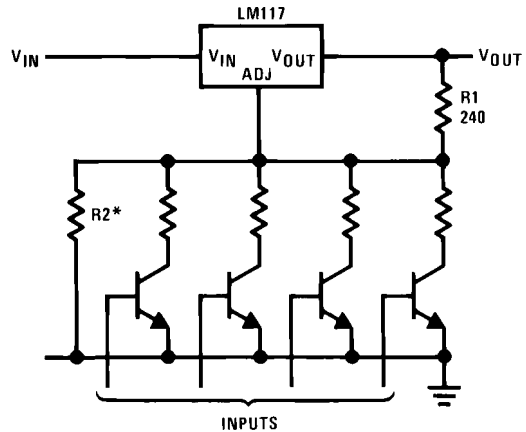


906329

*Sets peak current (0.6A for 1Ω)

**The 1000µF is recommended to filter out input transients

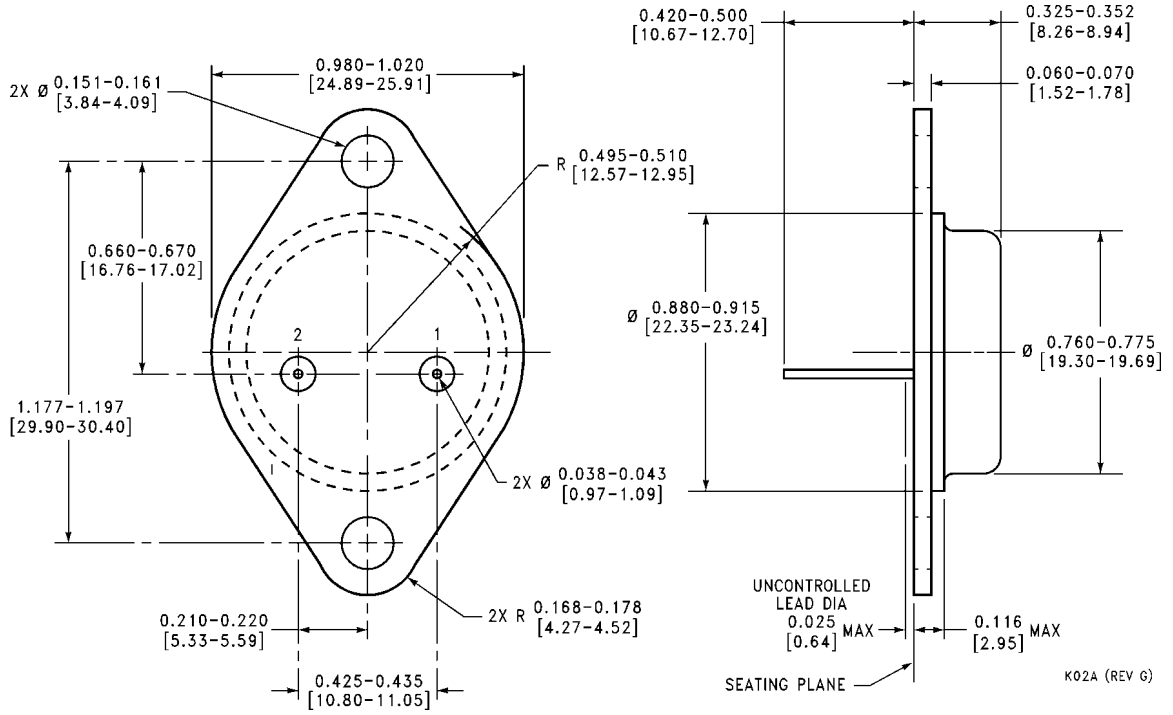
Digitally Selected Outputs



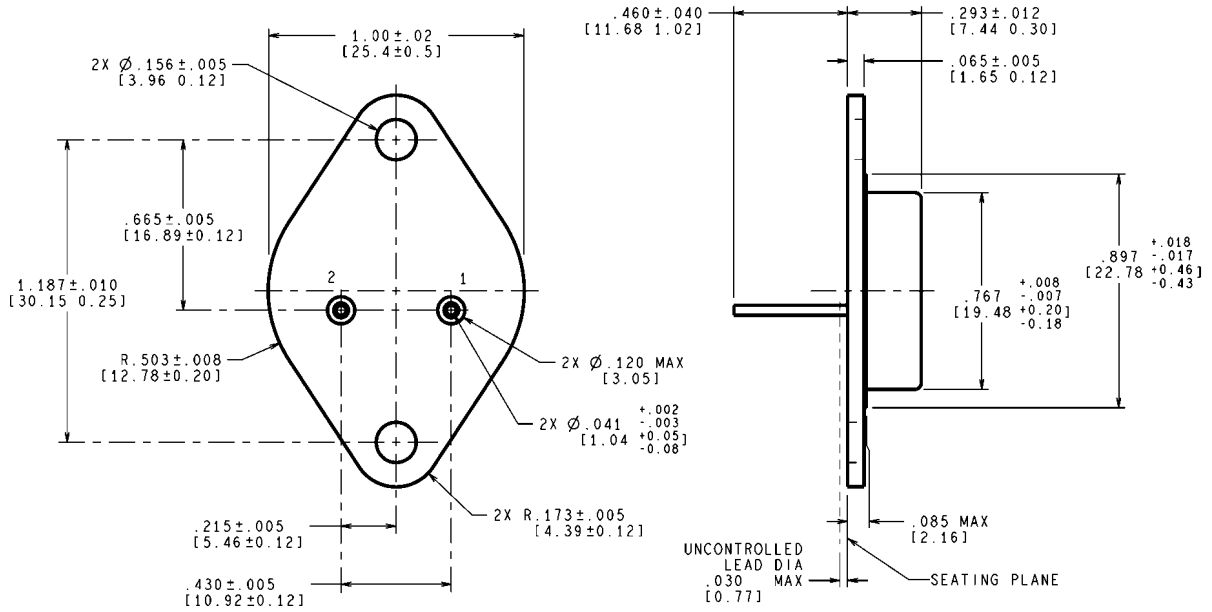
906302

*Sets maximum V_{OUT}

Physical Dimensions inches (millimeters) unless otherwise noted



**TO-3 Metal Can Package (K)
NS Package Number K02A**

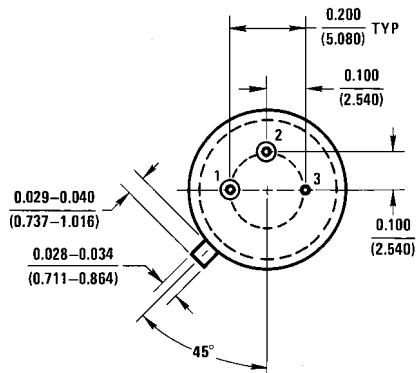
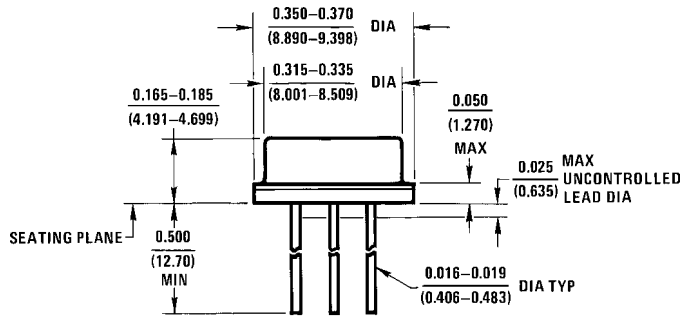


CONTROLLING DIMENSION IS INCH
VALUES IN [] ARE MILLIMETERS

MIL-PRF-38535
CONFIGURATION CONTROL

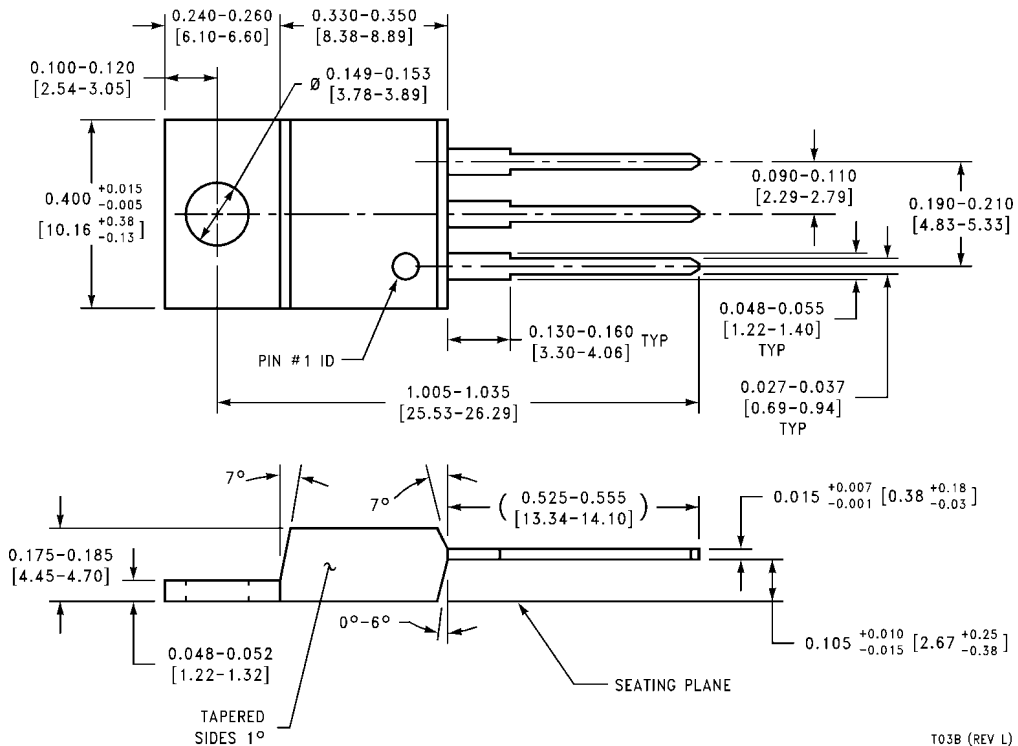
**TO-3 Metal Can Package (K)
Mil-Aero Product
NS Package Number K02C**

K02C (Rev E)



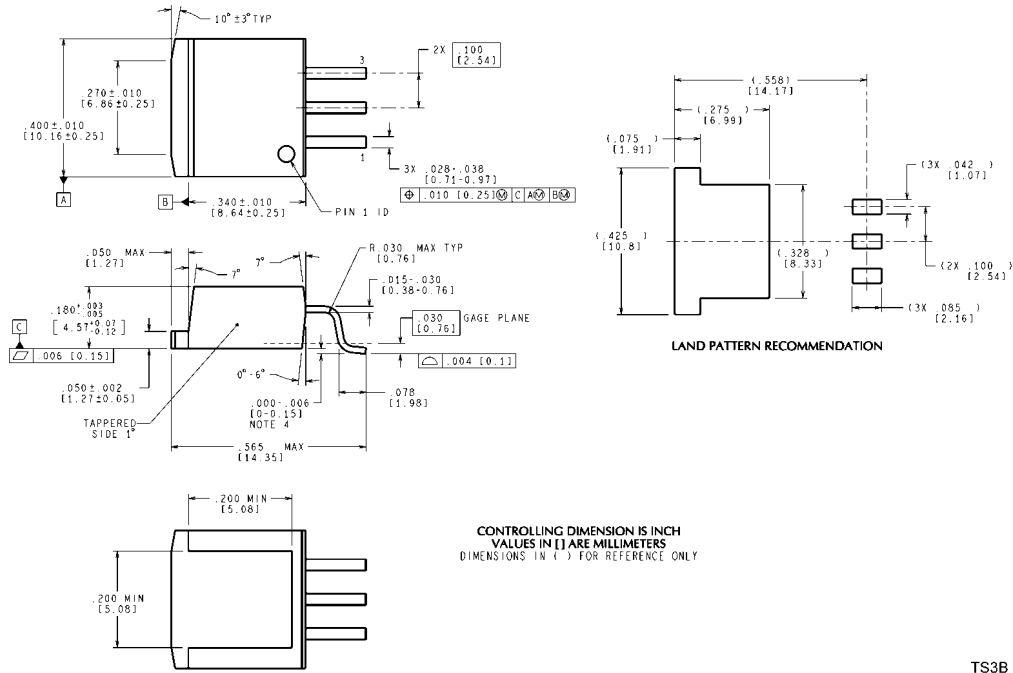
TO-39 Metal Can Package (H)
NS Package Number H03A

H03A (REV B)



3-Lead TO-220 (T)
NS Package Number T03B

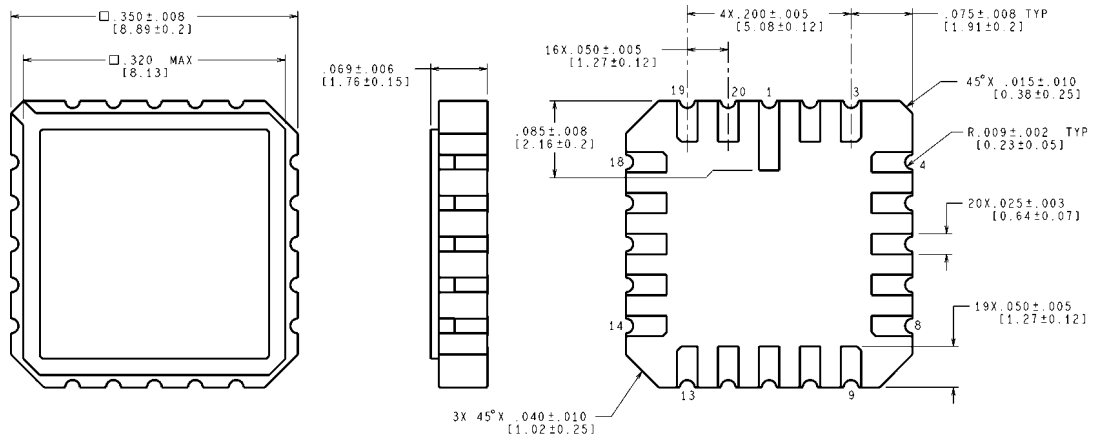
T03B (REV L)



CONTROLLING DIMENSION IS INCH
VALUES IN [] ARE MILLIMETERS
DIMENSIONS IN () FOR REFERENCE ONLY

TS3B (Rev F)

**3-Lead TO-263 (S)
NS Package Number TS3B**



CONTROLLING DIMENSION IS INCH
VALUES IN [] ARE MILLIMETERS

E20A (Rev F)

**Ceramic Leadless Chip Carrier (E)
NS Package Number E20A**

Notes

THE CONTENTS OF THIS DOCUMENT ARE PROVIDED IN CONNECTION WITH NATIONAL SEMICONDUCTOR CORPORATION ("NATIONAL") PRODUCTS. NATIONAL MAKES NO REPRESENTATIONS OR WARRANTIES WITH RESPECT TO THE ACCURACY OR COMPLETENESS OF THE CONTENTS OF THIS PUBLICATION AND RESERVES THE RIGHT TO MAKE CHANGES TO SPECIFICATIONS AND PRODUCT DESCRIPTIONS AT ANY TIME WITHOUT NOTICE. NO LICENSE, WHETHER EXPRESS, IMPLIED, ARISING BY ESTOPPEL OR OTHERWISE, TO ANY INTELLECTUAL PROPERTY RIGHTS IS GRANTED BY THIS DOCUMENT.

TESTING AND OTHER QUALITY CONTROLS ARE USED TO THE EXTENT NATIONAL DEEMS NECESSARY TO SUPPORT NATIONAL'S PRODUCT WARRANTY. EXCEPT WHERE MANDATED BY GOVERNMENT REQUIREMENTS, TESTING OF ALL PARAMETERS OF EACH PRODUCT IS NOT NECESSARILY PERFORMED. NATIONAL ASSUMES NO LIABILITY FOR APPLICATIONS ASSISTANCE OR BUYER PRODUCT DESIGN. BUYERS ARE RESPONSIBLE FOR THEIR PRODUCTS AND APPLICATIONS USING NATIONAL COMPONENTS. PRIOR TO USING OR DISTRIBUTING ANY PRODUCTS THAT INCLUDE NATIONAL COMPONENTS, BUYERS SHOULD PROVIDE ADEQUATE DESIGN, TESTING AND OPERATING SAFEGUARDS.

EXCEPT AS PROVIDED IN NATIONAL'S TERMS AND CONDITIONS OF SALE FOR SUCH PRODUCTS, NATIONAL ASSUMES NO LIABILITY WHATSOEVER, AND NATIONAL DISCLAIMS ANY EXPRESS OR IMPLIED WARRANTY RELATING TO THE SALE AND/OR USE OF NATIONAL PRODUCTS INCLUDING LIABILITY OR WARRANTIES RELATING TO FITNESS FOR A PARTICULAR PURPOSE, MERCHANTABILITY, OR INFRINGEMENT OF ANY PATENT, COPYRIGHT OR OTHER INTELLECTUAL PROPERTY RIGHT.

LIFE SUPPORT POLICY

NATIONAL'S PRODUCTS ARE NOT AUTHORIZED FOR USE AS CRITICAL COMPONENTS IN LIFE SUPPORT DEVICES OR SYSTEMS WITHOUT THE EXPRESS PRIOR WRITTEN APPROVAL OF THE CHIEF EXECUTIVE OFFICER AND GENERAL COUNSEL OF NATIONAL SEMICONDUCTOR CORPORATION. As used herein:

Life support devices or systems are devices which (a) are intended for surgical implant into the body, or (b) support or sustain life and whose failure to perform when properly used in accordance with instructions for use provided in the labeling can be reasonably expected to result in a significant injury to the user. A critical component is any component in a life support device or system whose failure to perform can be reasonably expected to cause the failure of the life support device or system or to affect its safety or effectiveness.

National Semiconductor and the National Semiconductor logo are registered trademarks of National Semiconductor Corporation. All other brand or product names may be trademarks or registered trademarks of their respective holders.

Copyright© 2007 National Semiconductor Corporation

For the most current product information visit us at www.national.com



**National Semiconductor
Americas Customer
Support Center**
Email:
new.feedback@nsc.com
Tel: 1-800-272-9959

**National Semiconductor Europe
Customer Support Center**
Fax: +49 (0) 180-530-85-86
Email: europe.support@nsc.com
Deutsch Tel: +49 (0) 69 9508 6208
English Tel: +49 (0) 870 24 0 2171
Français Tel: +33 (0) 1 41 91 8790

**National Semiconductor Asia
Pacific Customer Support Center**
Email: ap.support@nsc.com

**National Semiconductor Japan
Customer Support Center**
Fax: 81-3-5639-7507
Email: jpn.feedback@nsc.com
Tel: 81-3-5639-7560