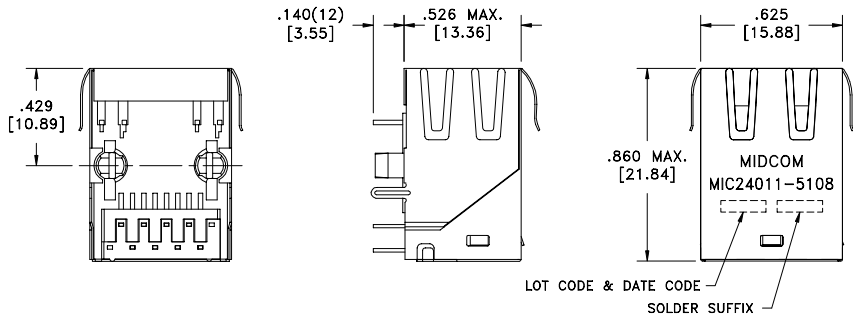
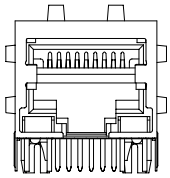


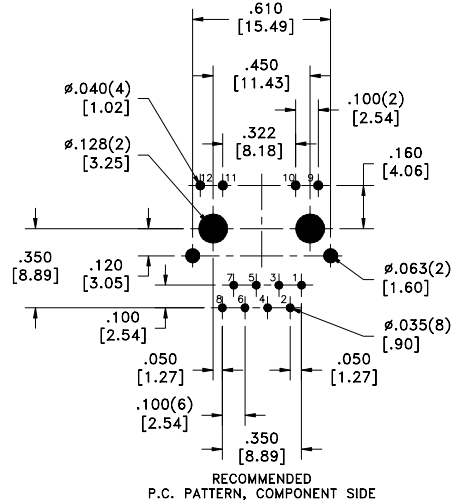
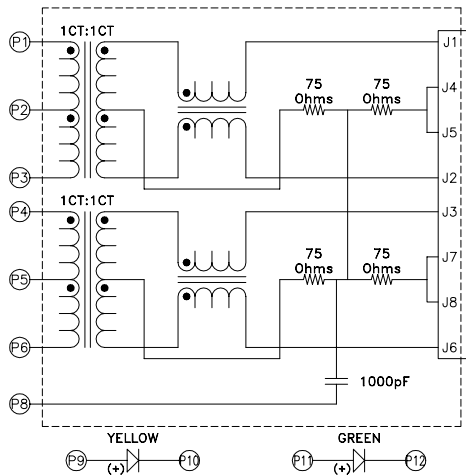
SOLDER SUFFIX	CUSTOMER TERMINAL	RoHS	LEAD(Pb)-FREE
LF3	Sn100%	Yes	Yes

www.DataSheetU.com



**ELECTRICAL SPECIFICATIONS @ 25°C unless otherwise noted:**

- INDUCTANCE: 350uH min., 100kHz, 100mV, 8mADC, J1-J2; J3-J6, Lp.
- DIELECTRIC RATING: 1500Vrms for 1 minute between P1-J1(tie P1+P4).
- URNS RATIO/POLARITY: (P1-P3):(J1-J2) = 1:1, ±2%.  
(P4-P6):(J3-J6) = 1:1, ±2%.
- INSERTION LOSS: -1.0dB max., 1MHz - 100MHz.
- RETURN LOSS: -18dB min., 1M - 30MHz.  
-16dB min., 30M - 45MHz.  
-14dB min., 45M - 60MHz.  
-12dB min., 60M - 80MHz.
- CROSSTALK: -35dB min., 1MHz - 100MHz.
- COMMON MODE REJECTION: -35dB min., 1MHz - 100MHz.
- OPERATING TEMPERATURE RANGE: -40°C to +85°C.



www.DataSheetU.com

**Midcom, Inc.**  
 Wintertown, SD USA  
 Toll Free: 800-643-2661  
 Fax: 605-886-4486

Unless otherwise specified:  
 Tolerances: Fractions: ±1/64  
 Angles: ±1' Decimals: ±.010 [0.25mm]  
 This drawing is dual dimensioned. Dimensions in brackets are in millimeters.

DRAWING TITLE  
**TRANSFORMER**  
 RJ45-T8

**Midcom**  
 REVISIONS: SEE SHEET 1

DRAWING NO.  
**MIC24011-5108T-LF3**  
 SCALE --- SHEET 2 OF 6  
 REV. 6A 8/05