

INTRODUCTION:

Adam Tech USB (Universal Serial Bus) and IEEE 1394 (Firewire) Series connectors are a complete line of shielded, hot pluggable, high speed I/O interface connectors available in a variety of body styles, sizes, positions and mounting orientations. Each is shielded for superior EMI/RFI protection and features spring contacts for exceptional connectivity properties. Specially designed shells with flares eliminate misconnection and kinked boardlocks add a strong, stable PCB attachment. An ideal solution for a low cost, high speed connection to peripheral devices.

FEATURES:

- USB-IF Compatible
- High Speed I/O applications
- Variety of Circuit sizes
- Variety of Body Styles
- Standard and Mini versions
- Shielded for EMI/RFI protection

MATING CONNECTORS:

Adam Tech USB and IEEE 1394 series connectors and all industry standard USB and IEEE 1394 connectors.

SPECIFICATIONS:

Material:

Standard insulator: PBT, Glass filled, rated UL94V-0
Optional Hi-Temp insulator: Nylon PA9T, rated UL94V-0
Insulator Color: Black (White optional)
Contacts: Phosphor Bronze or Brass
Shell: Steel, nickel plated

Contact Plating:

Gold flash over Nickel on mating area,
Tin over Copper underplate on tails

Electrical:

Operating Voltage: 30V AC
Current Rating: 1 Amp max.
Contact Resistance: 30 mΩ max.
Insulation Resistance: 1000 MΩ min.
Dielectric Withstanding Voltage: 100V AC for 1 minute

Mechanical:

Insertion force: 3 oz max.
Withdrawal force: 0.5 oz min.

Temperature Ratings:

Operating Temperature: -55°C to +85°C
Soldering process temperature:
Standard insulator: 235°C
Hi-Temp insulator: 260°C

PACKAGING:

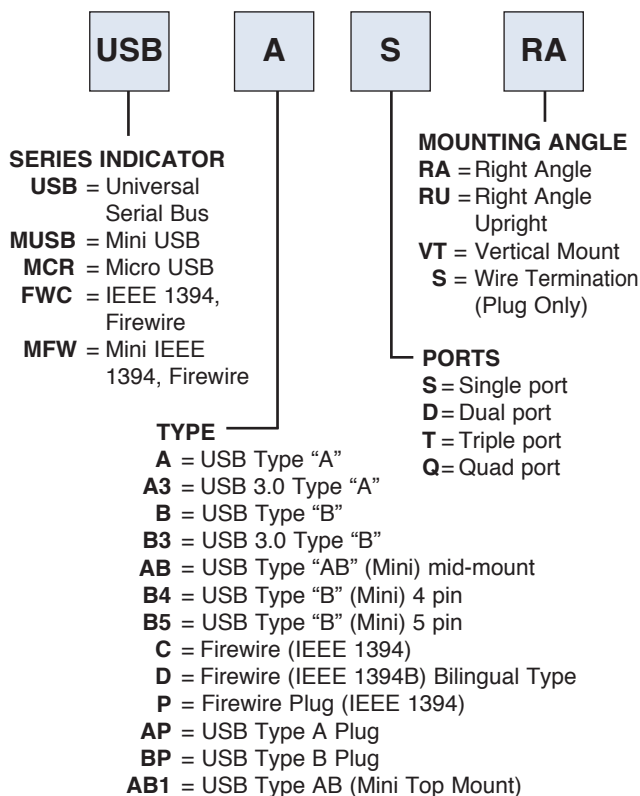
Anti-ESD plastic trays or tubes

APPROVALS AND CERTIFICATIONS:

UL Recognized & CSA Certified, File no. E224053



ORDERING INFORMATION

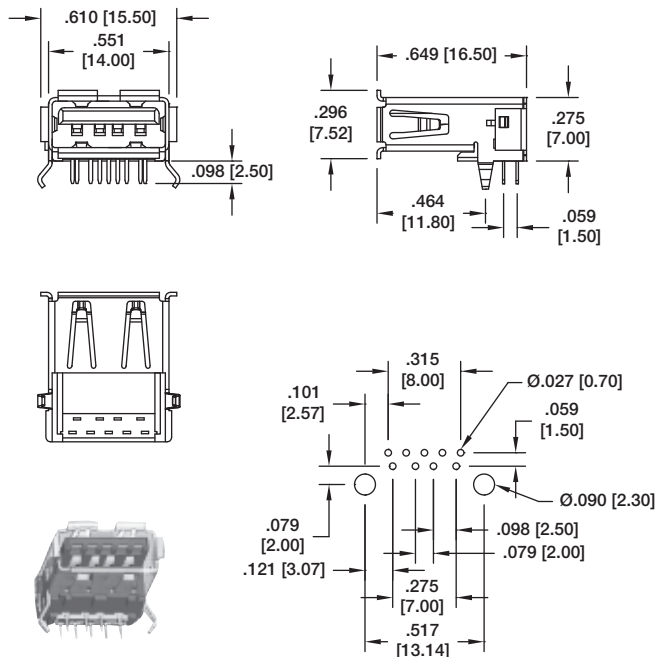


OPTIONS:

Add as Suffix to basic part no.

- SMT** = Surface Mount Leads with Hi-Temp insulator for Hi-Temp soldering processes up to 260°C
- TSMT** = True Surface Mount Leads with Hi-Temp insulator for Hi-Temp soldering processes up to 260°C
- 30** = 30 μin gold plating in contact area
- WT** = White color insulator
- HT** = Hi-Temp insulator for Hi-Temp soldering processes up to 260°C (Add this option for thru-hole products only. All SMT products are manufactured with Hi-Temp insulators)
- T/R** = Tape & Reel packaging

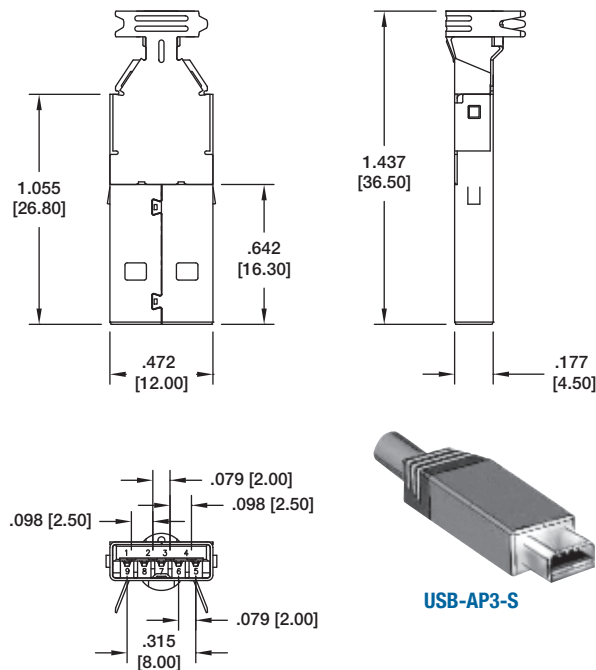
USB 3.0, TYPE A RIGHT ANGLE THRU-HOLE



USB-A3-S-RA

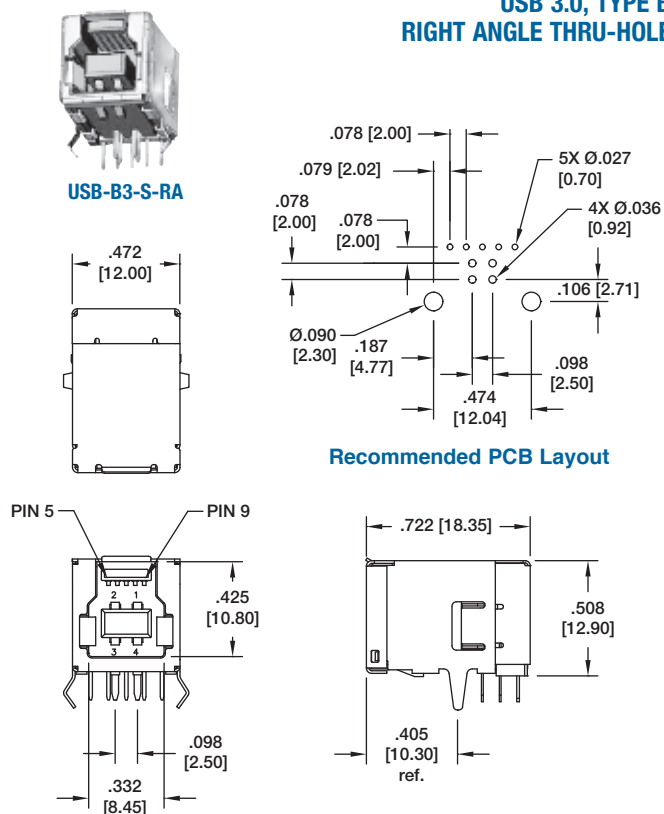
Recommended PCB Layout

USB 3.0, TYPE A PLUG



USB-AP3-S

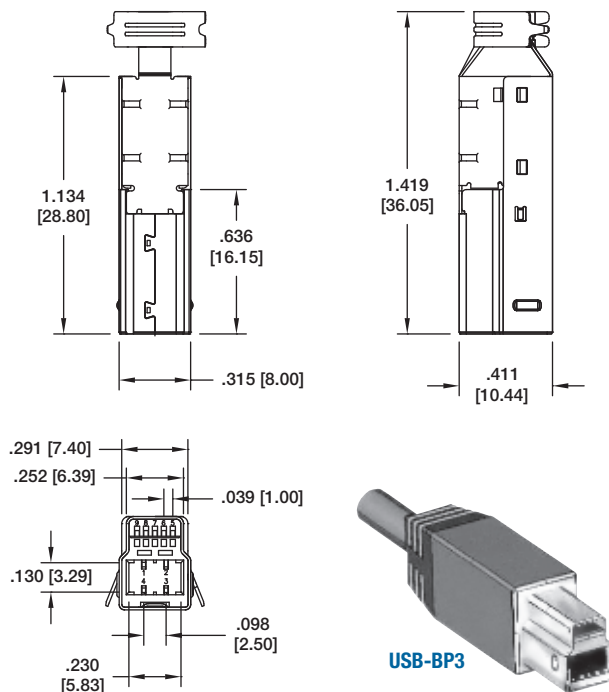
USB 3.0, TYPE B RIGHT ANGLE THRU-HOLE



USB-B3-S-RA

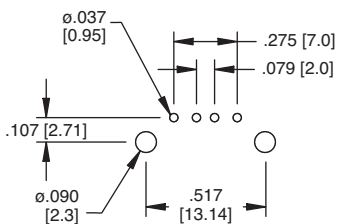
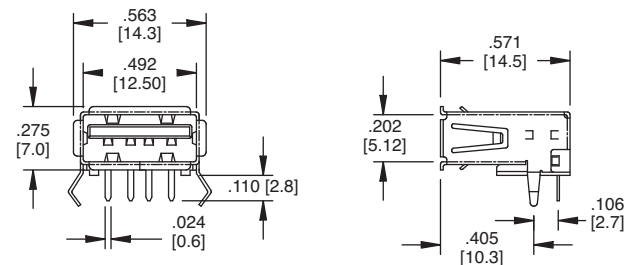
Recommended PCB Layout

USB 3.0, TYPE B PLUG



USB-BP3

USB 2.0, TYPE A RIGHT ANGLE THRU-HOLE

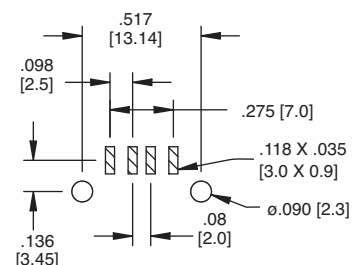
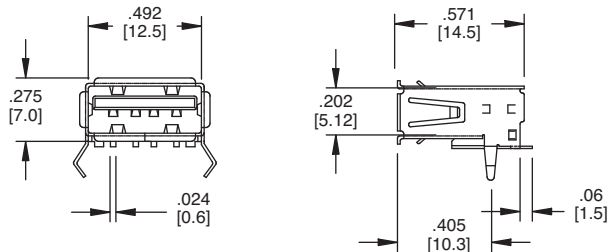


Recommended PCB Layout



USB-A-S-RA

USB 2.0, TYPE A RIGHT ANGLE SMT

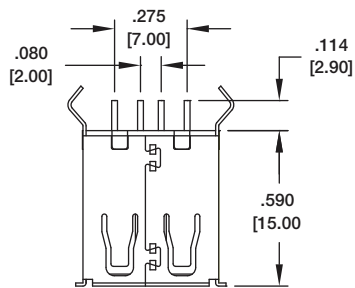


Recommended PCB Layout

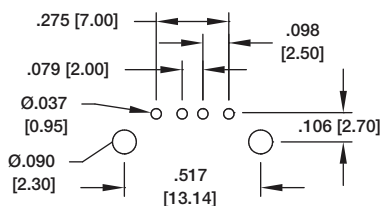
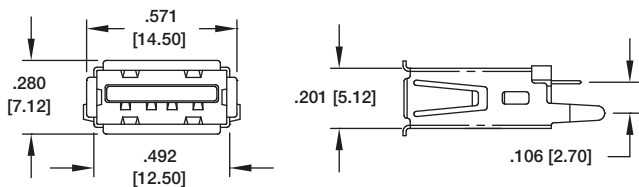


USB-A-S-RA-SMT

USB 2.0, TYPE A VERTICAL THRU-HOLE

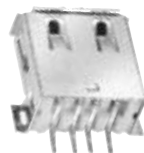


USB-A-S-VT

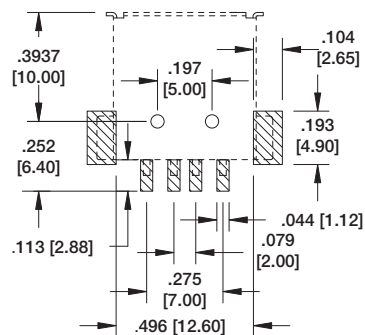
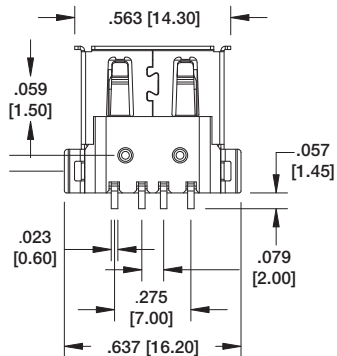
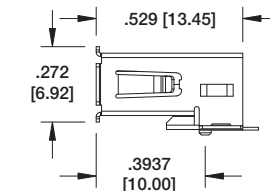
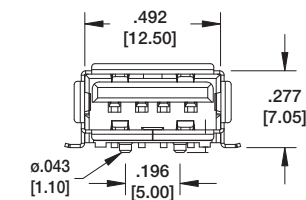


Recommended PCB Layout

USB 2.0, TYPE A RIGHT ANGLE TRUE SMT

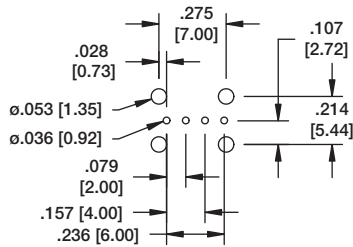
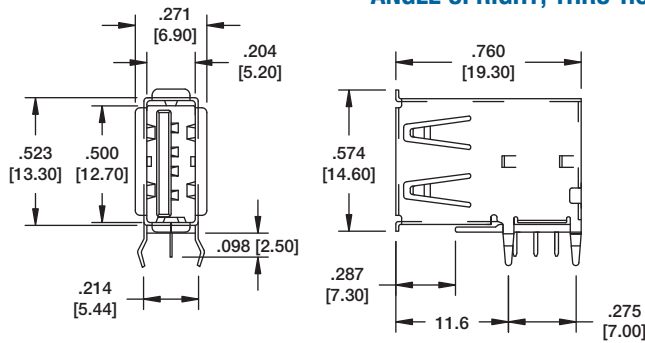


USB-A-S-RA-TSMT



Recommended PCB Layout

USB 2.0, TYPE A ANGLE UPRIGHT, THRU-HOLE

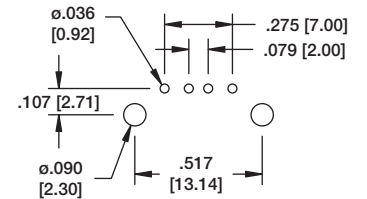
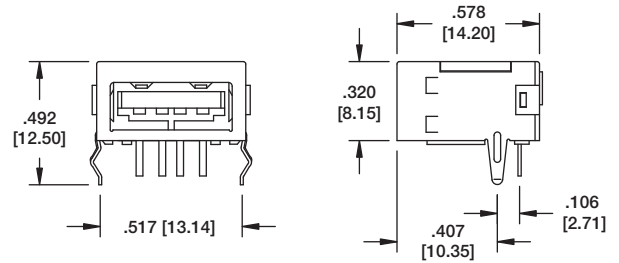


Recommended PCB Layout



USB-A-S-RU

USB 2.0, TYPE A RIGHT ANGLE, THRU-HOLE

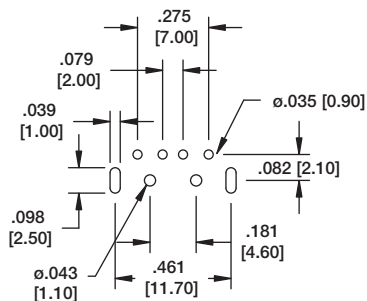
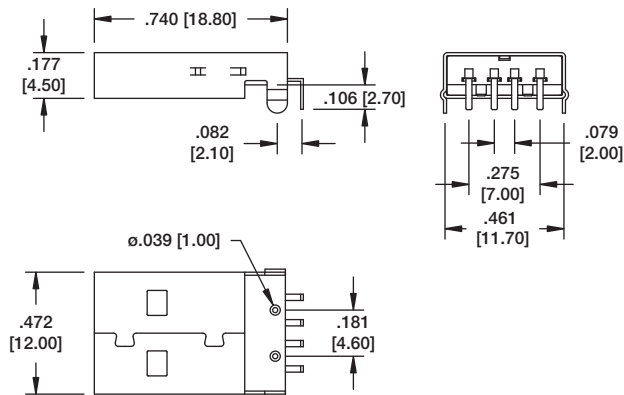


Recommended PCB Layout



USB-A-S-RA-FS

USB 2.0, TYPE A PLUG RIGHT ANGLE, THRU-HOLE

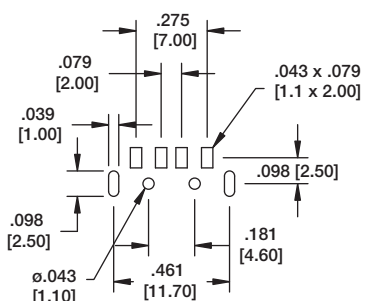
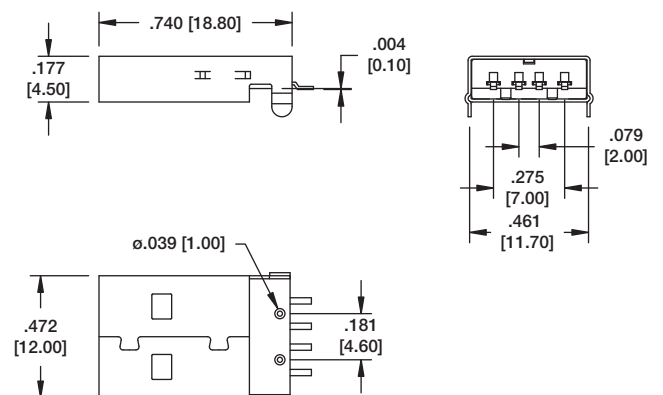


Recommended PCB Layout



USB-AP-S-RA

USB 2.0, TYPE A PLUG RIGHT ANGLE, SMT

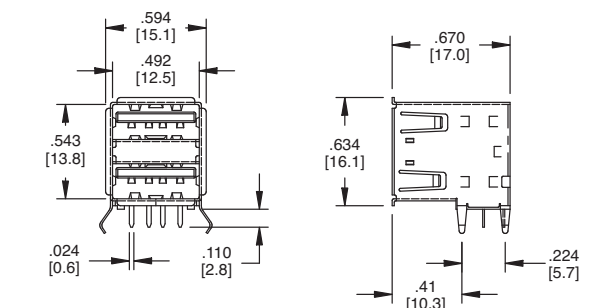


Recommended PCB Layout

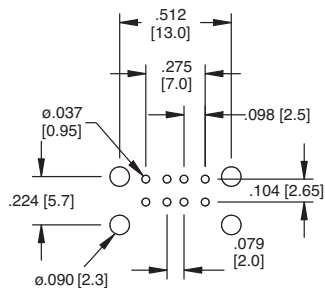


USB-AP-S-RA-SMT

USB 2.0, TYPE A, 2 PORT STACKED, RIGHT ANGLE, THRU-HOLE

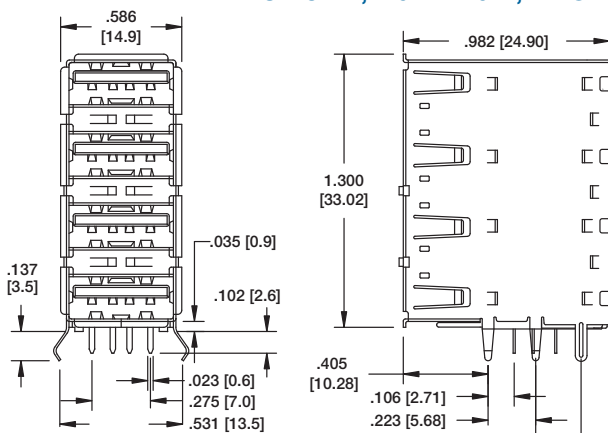


USB-A-D-RA

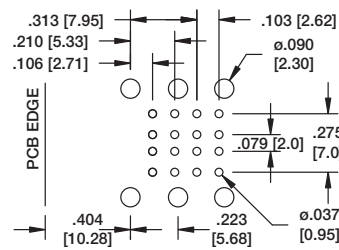


Recommended PCB Layout (Bottom View)

USB 2.0, TYPE A, 4 PORT STACKED, RIGHT ANGLE, THRU-HOLE

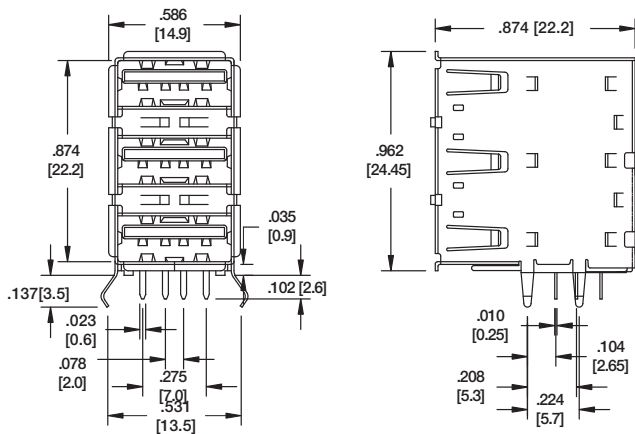


USB-A-Q-RA

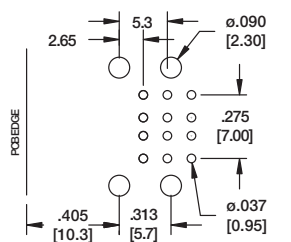


Recommended PCB Layout

USB 2.0, TYPE A, 3 PORT STACKED, RIGHT ANGLE, THRU-HOLE

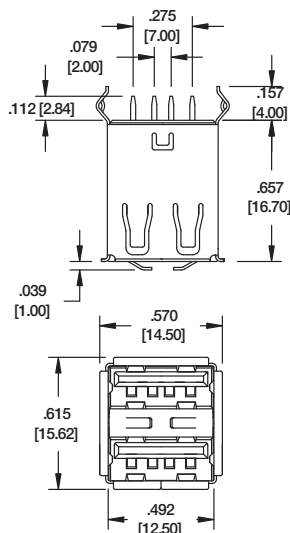


USB-A-T-RA

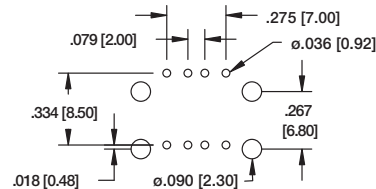


Recommended PCB Layout (Bottom View)

USB 2.0, TYPE A, 2 PORT STACKED, VERTICAL, THRU-HOLE

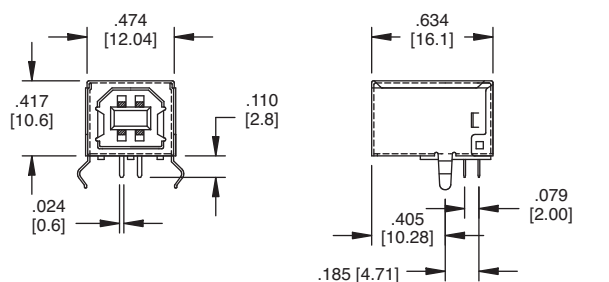


USB-A-D-VT

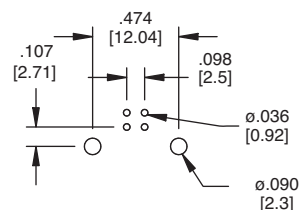
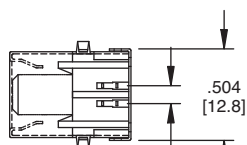


Recommended PCB Layout

USB 2.0, TYPE B RIGHT ANGLE, THRU-HOLE

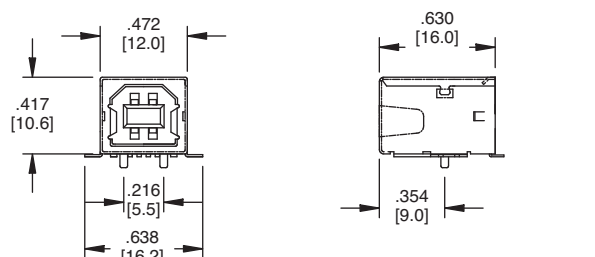


USB-B-S-RA

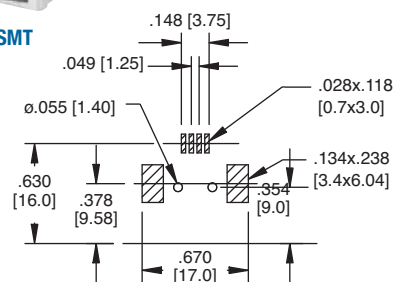
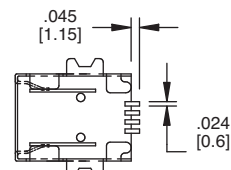


Recommended PCB Layout

USB 2.0, TYPE B RIGHT ANGLE, TRUE SMT

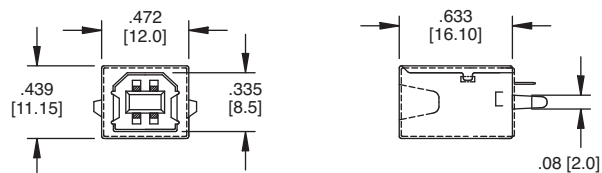


USB-B-S-RA-TSMT

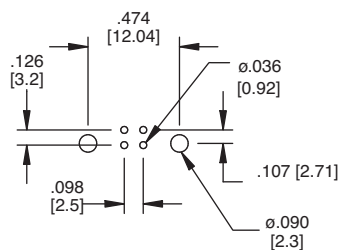
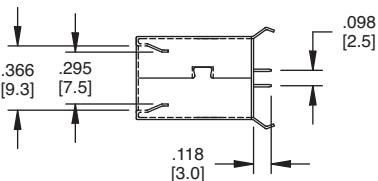


Recommended PCB Layout

USB 2.0, TYPE B VERTICAL, THRU-HOLE



USB-B-S-VT



Recommended PCB Layout
(Component Side)

USB 2.0, TYPE B PLUG



USB-BP-S

