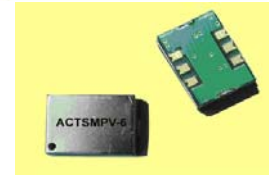


ACT-SMPV - 6 Surface Mount VCXO

The ACTSMPV6 is a 6-pad surface mount Voltage Controlled Crystal Oscillators (VCXO) housed in a 14.0X10.3 mm PCB based package with a metal lid. These devices can be pulled between ± 30 ppm & ± 100 ppm from the nominal frequency by varying the voltage on pin 1 (Dependent on Vdd). Outputs are available in PECL (5V Vdd), LVPECL and LVDS (3.3V Vdd).

Applications include PLL circuits, Set Top Box, MP3 Players, Audio/Video modulations, Video Game Consoles, HDTV and many more.

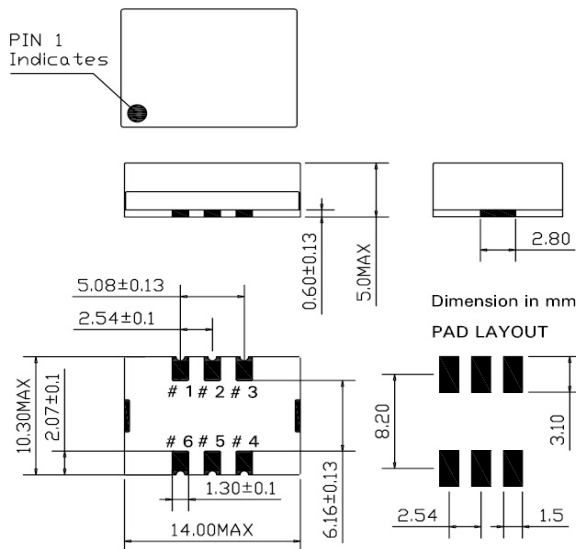
Compatible with Eu Directive
2002/EC - RoHS



Specification

Parameter	Symbol	Specification	Condition
Frequency Range	fo	19.44~180MHz @ 25 \pm 5°C std (Some higher frequencies available)	Please Specify
Frequency Stability	$\Delta f/f_0$	± 20 ppm~ ± 100 ppm std (Some tighter stabilities available)	Please Specify
Temp Operating Range	Topr	0~70°C Standard, -40~+85°C Option	Please Specify
Storage Temp Range	Tstg	-55~+125°C	
Supply Voltage	Vdd	3.3V\pm5%	5.0V\pm5%
Supply Current	Iop	80mA max	120mA max
Voltage Control	Vc	1.65Vdc \pm 1.65V	2.5Vdc \pm 2.0V
Output		LVDS	LVPECL PECL
Output Load	N/CL	100 Ω Diff	Vdd -2V to 50 Ω
Output Voltage	VOH	1.375Vdc min	Vdd -1.025Vdc min
	VOL	1.125V max	Vdd -1.620Vdc min
Duty Cycle	Tw/t	40/60% Standard, 45/55% Option	Please Specify
Pulling Range	Δf_c	± 30 ppm~ ± 100 ppm	
Jitter		3.5ps RMS max	
Rise & Fall Times	tr/tf	2nS max	20% to 80% of Waveform
Linearity		± 10 % max	
Slope Polarity		Positive	
Modulation Bandwidth(± 3 dB)		10KHz min	
Input Impedance		50K Ω	
Aging		± 3 ppm/yr	
Phase Noise	Fa	See Phase Noise example on Page 2	

DIMENSIONS (mm)



Pin Connection	
#1	V control
#2	Tri-State or N./C
#3	Ground
#4	Output
#5	Complementary Output
#6	Vdd

Pad surface material Au

Please note that all parameters can not necessarily be specified in the same device

Customer to specify : Frequency, Frequency Tolerance, Operating Temperature Range, Supply Voltage, Output & Symmetry
 In line with our ongoing policy of product evolution and improvement, the above specification may be subject to change without notice

ISO9001:2000 Registered

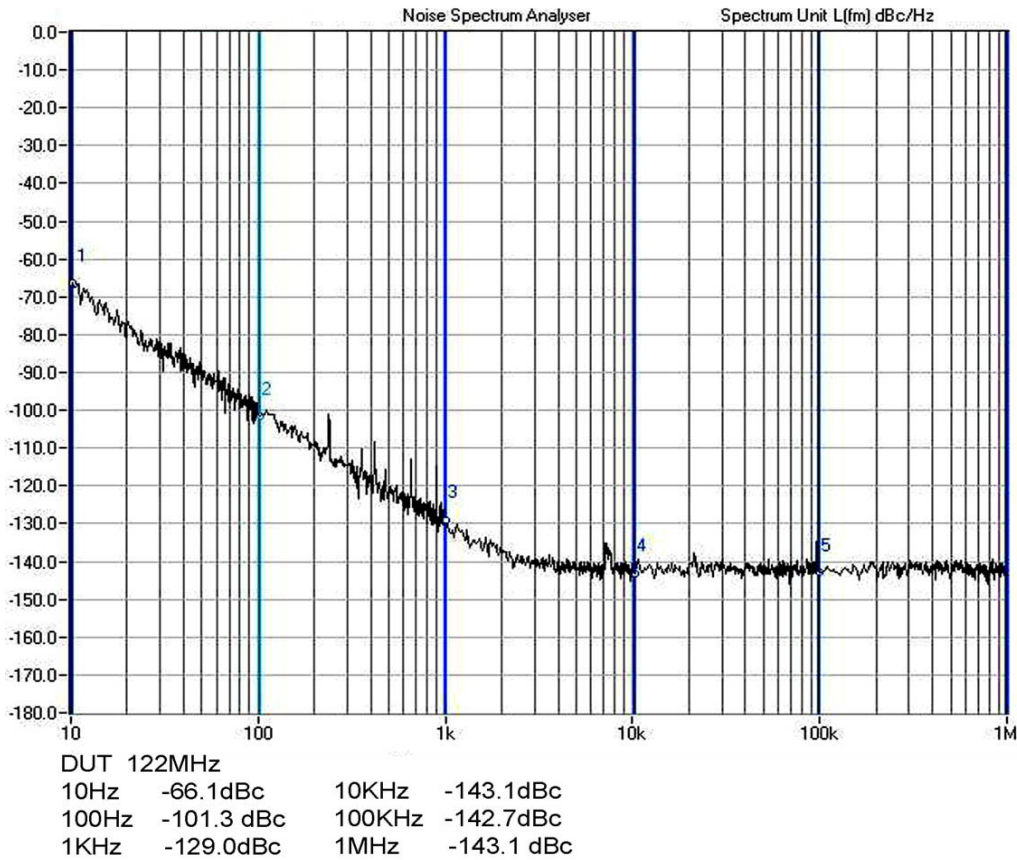
For quotations or further information please contact us at:
 3 The Business Centre, Molly Millars Lane, Wokingham, Berkshire, RG41 2EY, UK

<http://www.actcrystals.com>

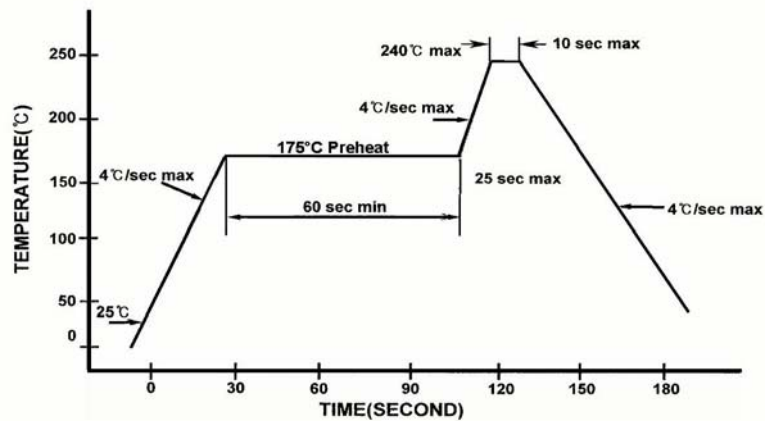
Issue 2 D2
 Date: 2/08/05

ACT-SMPV - 6 Surface Mount VCXO

Example Phase Noise (120 MHz)



RECOMMENDED REFLOW SOLDERING PROFILE



In line with our ongoing policy of product evolution and improvement, the above specification may be subject to change without notice

ISO9001:2000 Registered

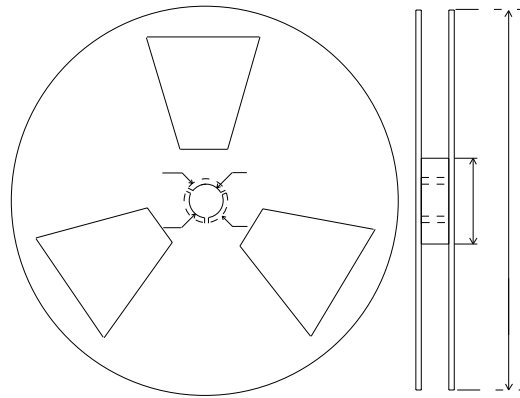
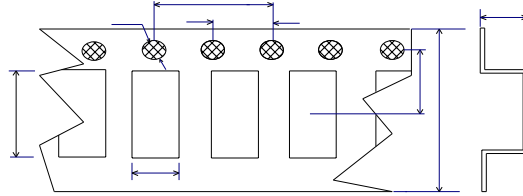
For quotations or further information please contact us at:
3 The Business Centre, Molly Millars Lane, Wokingham, Berkshire, RG41 2EY, UK

<http://www.actcrystals.com>

Issue 2 D2
Date: 10/08/05

ACT-SMPV - 6 Surface Mount VCXO

Tape and Reel Dimensions (mm) REELS OF 500PCS



A	B	C	D	E	F	G	H	J	K	L	M	Qty/Reel
10.8	14.8	1.5	11.5	5.5	4.0	8.0	24	330	13	23	60	500

In line with our ongoing policy of product evolution and improvement, the above specification may be subject to change without notice

ISO9001:2000 Registered

For quotations or further information please contact us at:
 3 The Business Centre, Molly Millars Lane, Wokingham, Berkshire, RG41 2EY, UK
<http://www.actcrystals.com>

Issue 2 D2
 Date: 10/08/05