

NARROW BAND FM IF AMPLIFIER

FEATURES

- Low Voltage Operation
- Two Stage IF Limiter
- Mixer
- Adjustable Internal Regulator

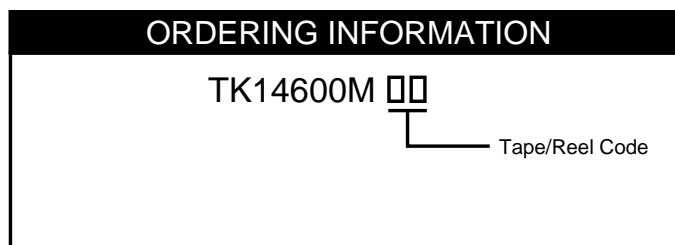
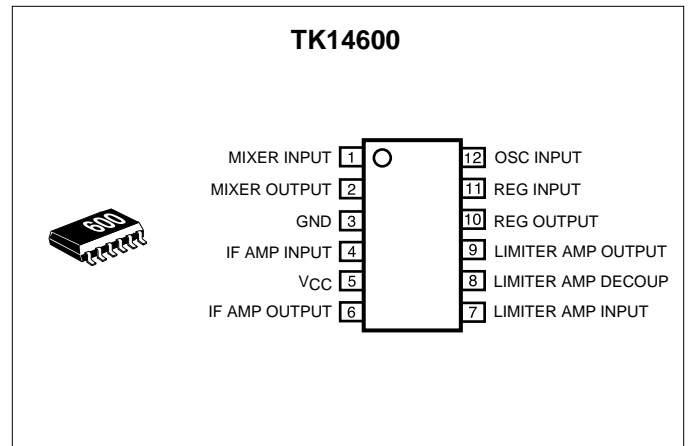
APPLICATIONS

- GPS Systems
- Digital Communications

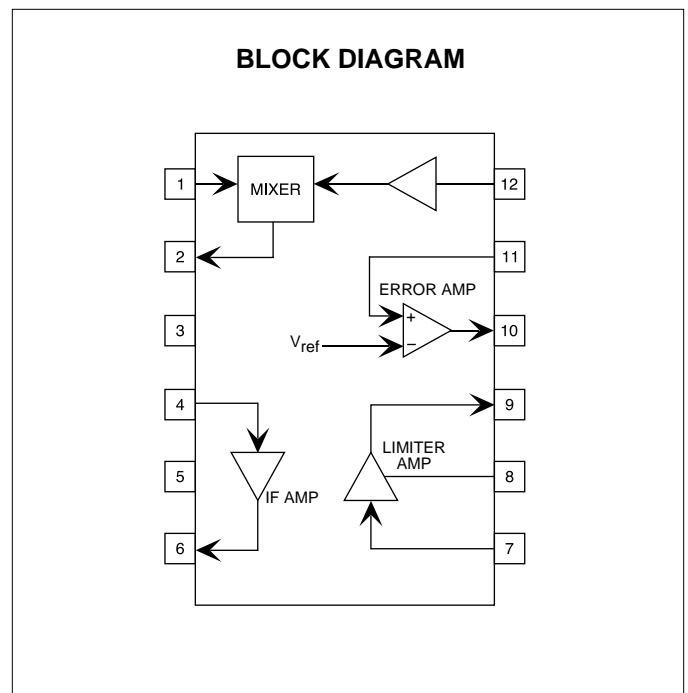
DESCRIPTION

The TK14600 is a low operating voltage FM IF system designed for use in GPS receivers and other digital communications systems. This IC contains a high gain 2-stage IF limiter with an internal voltage regulator.

The TK14600 is available in the SSOP-12 (MFP-12) surface mount package.



TAPE/REEL CODE
 BX: Bulk/Bag
 TL: Tape Left
 MG: Magazine



TK14600

ABSOLUTE MAXIMUM RATINGS

Maximum Supply Voltage	6 V	Lead Soldering Temp. (10 sec.)	235 °C
Operating Voltage Range	2.3 to 5.5 V	Storage Temperature Range	-55 to +150 °C
Junction Temperature	150 °C	Operating Temperature Range	-30 to +80 °C
Power Dissipation (Note 1)	250 mW		

TK14600 ELECTRICAL CHARACTERISTICS

Test Conditions: $V_{CC} = 3\text{ V}$, $F_{RF} = 20\text{ MHz}$, $F_{OSC} = 18.9\text{ MHz}$, Injection Level = -5dBm, $F_{IF} = 1.1\text{ MHz}$

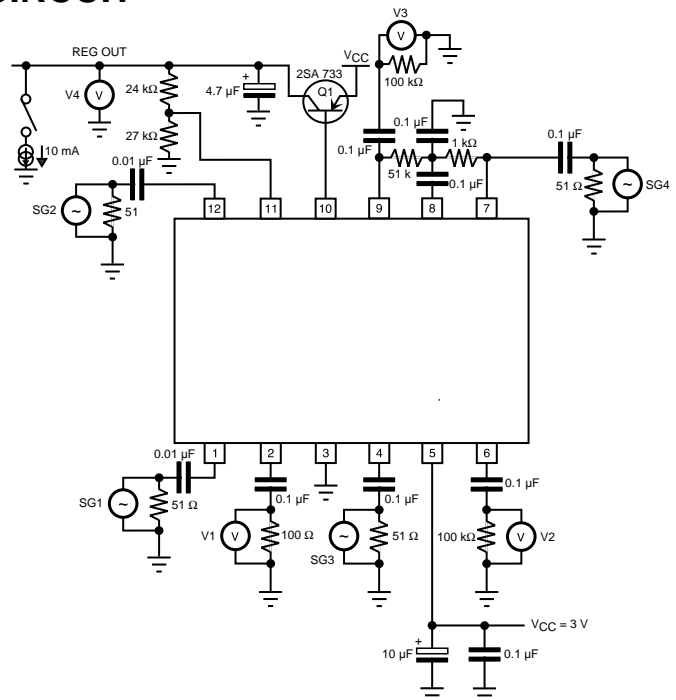
SYMBOL	PARAMETER	TEST CONDITIONS	MIN	TYP	MAX	UNITS
I_{CC}	Supply Current	No input	2.0	2.7	3.4	mA
GM	Mixer Transfer Gain	$f_{RF} = 20.0\text{ MHz}$, 50 dB μ input $f_{OSC} = 18.9\text{ MHz}$, -5 dBm input	24	30	36	dB
f_{IN}	Mixer Operating Frequency Range		0.1		40	MHz
GIF1	IF Amp Gain	40 dB μ input, $f_{IF} = 1.1\text{ MHz}$	24	30	36	dB
V_{OUT1}	IF Amp Output Voltage	80 dB μ input, $f_{IF} = 1.1\text{ MHz}$	0.22	0.33	0.44	V_{P-P}
GIF2	Limiter Amp Gain	20 dB μ input, $f_{IF} = 1.1\text{ MHz}$	65	75	85	dB
V_{OUT2}	Limiter Amp Output Voltage	80 dB μ input, $f_{IF} = 1.1\text{ MHz}$	0.6	1.0	1.4	V_{P-P}
f_{IF}	IF Amp, Limiter Amp Operating Frequency Range		0.1		5	MHz
V_R	Voltage Regulator Output	$I_{OUT} = 10\text{ mA}$	1.8	2.0	2.2	V

Note 1: Power dissipation is 250 mW in free air. Derate at 2.0 mW/°C for operation above 25 °C.

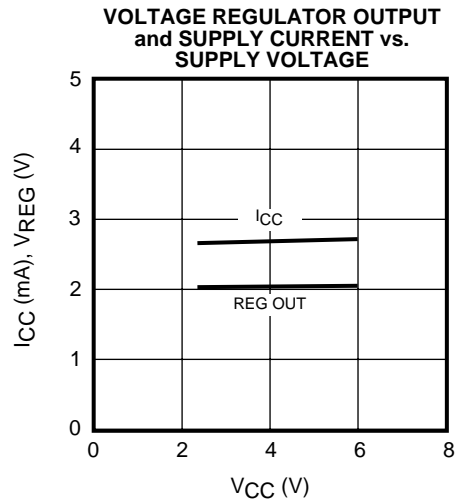
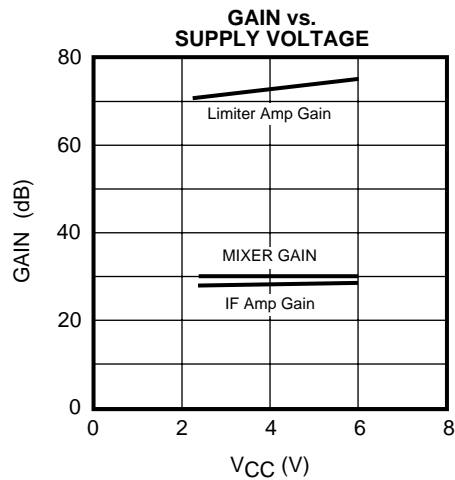
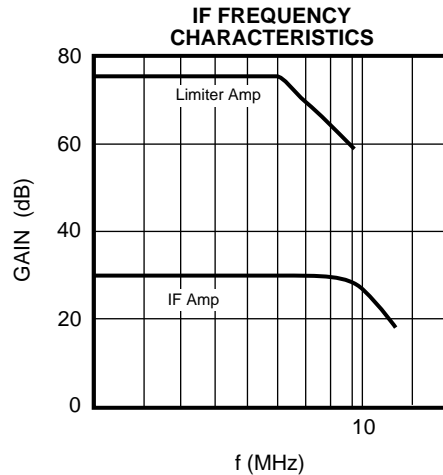
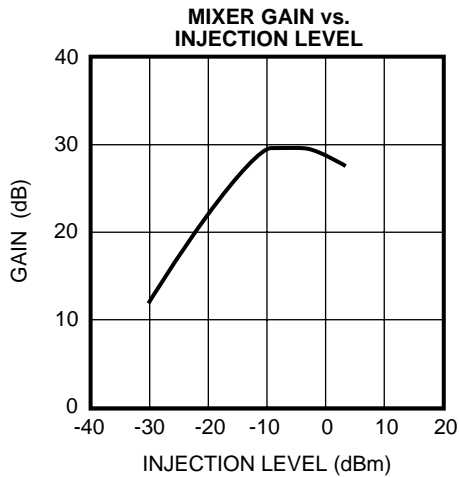
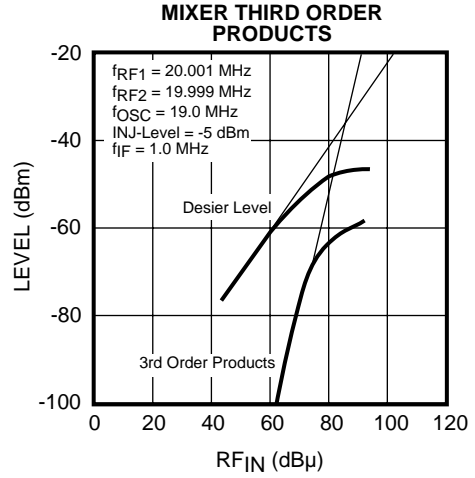
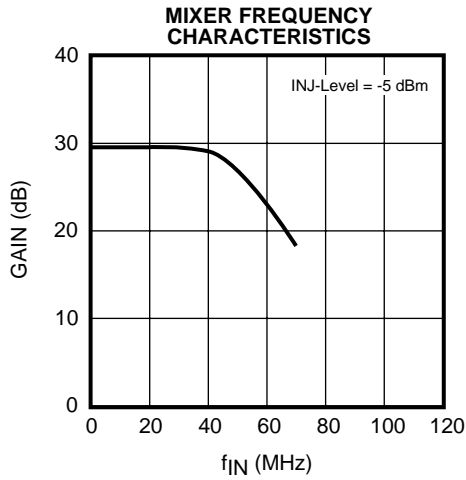
TEST CIRCUIT

Test Conditions: $V_{CC} = 3\text{ V}$, $T_A = 25\text{ °C}$

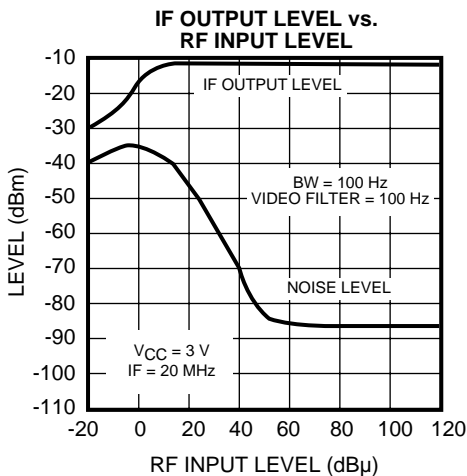
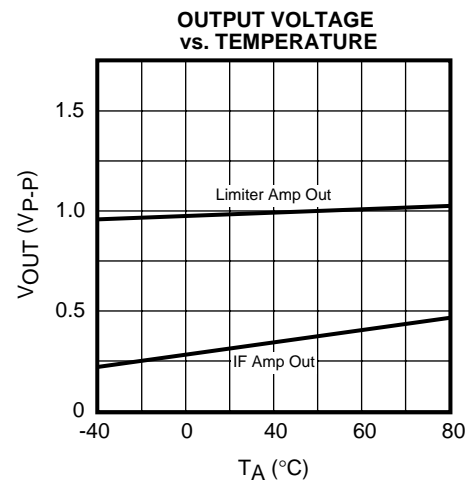
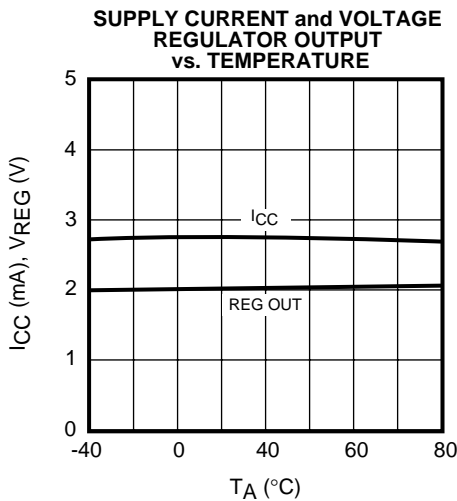
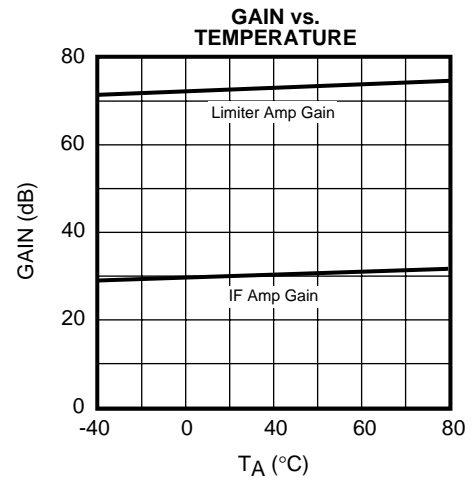
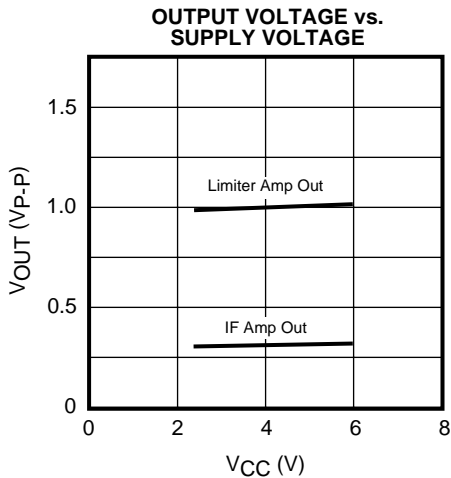
Mixer	SG1 (RF Input)	20 MHz Non-mod
	SG2 (Local Input)	18.9 MHz Non-mod
	V1 (IF Output)	1.1 MHz
IF Amp	SG3 (IF1 Input)	1.1 MHz Non-mod
	V2 (IF1 Output)	
Limiter Amp	SG4 (IF2 Input)	1.1 MHz Non-mod
	V3 (IF2 Output)	
Regulator	V4 (Regulator Output)	



TYPICAL PERFORMANCE CHARACTERISTICS



TYPICAL PERFORMANCE CHARACTERISTICS (CONT.)



PIN FUNCTION DESCRIPTION

$V_{CC} = 3\text{ V}$, $f_{RF} = 20\text{ MHz}$, $f_{OSC} = 19\text{ MHz}$, Injection Level: -3 dBm , $f_{IF} = 1\text{ MHz}$

PIN NO.	SYMBOL	VOLTAGE	INTERNAL EQUIVALENT CIRCUIT	DESCRIPTION
1	MIXER INPUT	0.95 V		<p>Mixer RF Input Pin</p> <p>The operating frequency range is up to 40 MHz. This pin is internally terminated with a 3 kΩ resistor.</p>
2	MIXER OUTPUT	2.0 V		<p>Mixer Output Pin</p> <p>The output impedance is 1 kΩ.</p>
3	GND			GND Pin
4	IF AMP INPUT	2.3 V		<p>IF Amplifier Input Pin.</p> <p>The input impedance is 1 kΩ. The voltage gain is approximately 28 dB. The IF amplifier frequency range is up to 3 MHz.</p>
5	V_{CC}			<p>Power Supply Pin.</p> <p>The supply voltage range is 2.3 to 5.5 V.</p>
6	IF AMP OUTPUT	2.05 V		<p>IF Amplifier Output</p> <p>The output impedance is 1 kΩ. The typical level is 300 mV_{P-P}.</p>

PIN FUNCTION DESCRIPTION

$V_{CC} = 3\text{ V}$, $f_{RF} = 20\text{ MHz}$, $f_{OSC} = 19\text{ MHz}$, Injection Level: -3 dBm , $f_{IF} = 1\text{ MHz}$

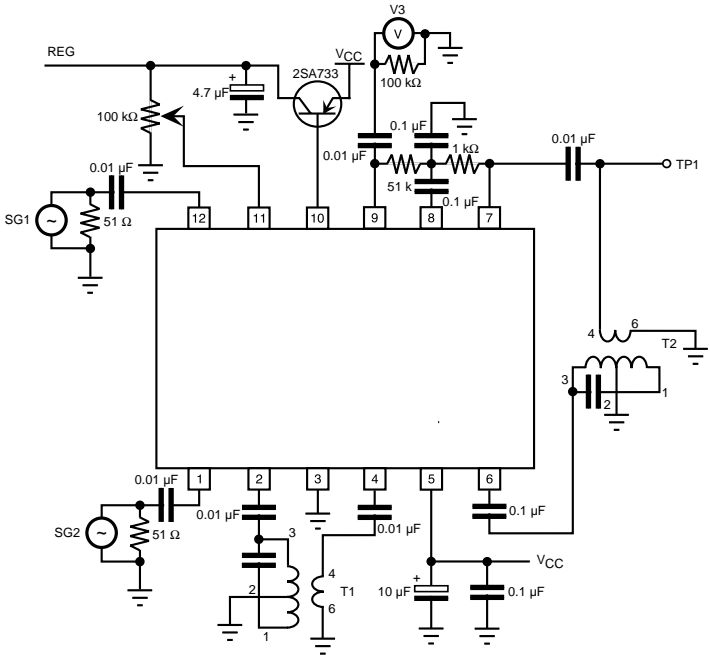
PIN NO.	SYMBOL	VOLTAGE	INTERNAL EQUIVALENT CIRCUIT	DESCRIPTION
7	LIMITER AMP INPUT	1.85 V		<p>Limiter Amplifier Input Pin.</p> <p>The input impedance is $1\text{ k}\Omega$. The gain of this stage is approximately 70 dB. The limiter frequency range is up to 3 MHz.</p>
8	LIMITER AMP DECOUPLING	1.78 V		<p>Limiter Amplifier Decoupling Pin.</p> <p>A $0.1\text{ }\mu\text{F}$ decoupling capacitor is connected to this pin.</p>
9	LIMITER AMP OUTPUT	1.89 V		<p>Limiter Amplifier Output Pin.</p> <p>The output impedance is approximately $200\text{ }\Omega$. The typical output level is 1 V_{P-P}. This value is suitable for CMOS interface.</p>
10	REGULATOR OUTPUT			<p>Regulator Control Output Pin.</p> <p>This pin is the regulator's error amplifier output pin. This pin drives the external PNP transistor base.</p>

PIN FUNCTION DESCRIPTION

$V_{CC} = 3\text{ V}$, $f_{RF} = 20\text{ MHz}$, $f_{OSC} = 19\text{ MHz}$, Injection Level: -3 dB , $f_{IF} = 1\text{ MHz}$

PIN NO.	SYMBOL	VOLTAGE	INTERNAL EQUIVALENT CIRCUIT	DESCRIPTION
11	REGULATOR INPUT			<p>Error Amplifier Input Pin.</p> <p>The reference voltage of the error amplifier is approximately 1 V. Therefore, the regulator's output voltage is determined as follows: $V_{OUT} = 1.0 \times (R1 + R2)/R2$</p>
12	OSC INPUT	2.98 V		Local Oscillator Input Pin

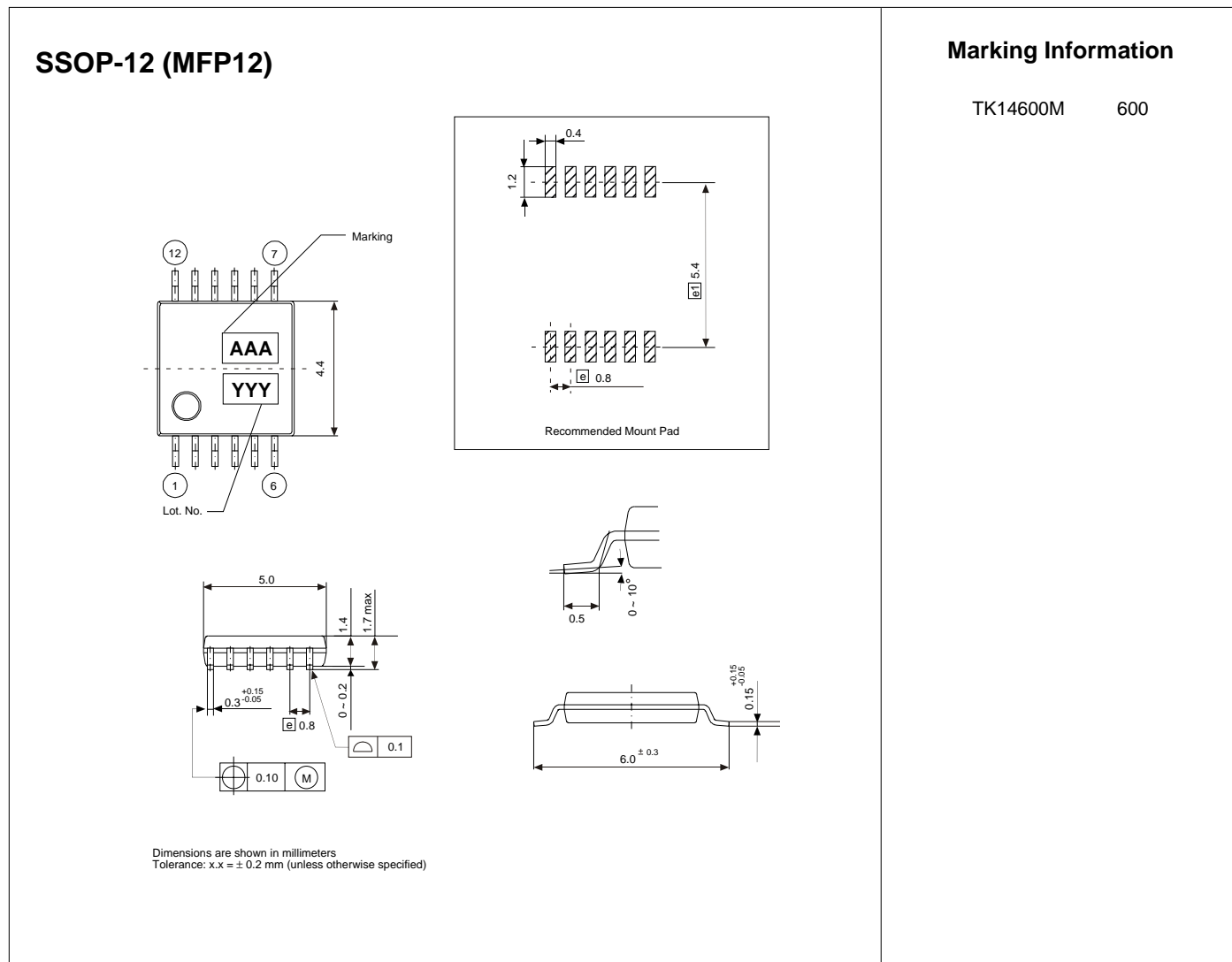
APPLICATION CIRCUIT



- Conditions: $V_{CC} = 3\text{ V}$, $T_A = 25\text{ }^\circ\text{C}$
- RF Input Frequency 20.1 MHz
 - Local Input Frequency 19.0 MHz, Inj. Level -5 dBm
 - IF Frequency 1.1 MHz
 - V_{CC} 3.0 V
 - IF Coil Application (T1, T2)**
 - TOKO Part Number A7LCS-12434N
 - Center Frequency 1.1 MHz
 - Internal Capacitor 180 pF
 - Unloaded Q. Above 80
 - Winding (1-3) 64T.
 (2-3) 11T.
 (4-6) 11T.
-

Downloaded from Elcodis.com electronic components distributor

PACKAGE OUTLINE



Toko America, Inc. Headquarters
1250 Feehanville Drive, Mount Prospect, Illinois 60056
Tel: (847) 297-0070 Fax: (847) 699-7864

TOKO AMERICA REGIONAL OFFICES

Midwest Regional Office
Toko America, Inc.
1250 Feehanville Drive
Mount Prospect, IL 60056
Tel: (847) 297-0070
Fax: (847) 699-7864

Western Regional Office
Toko America, Inc.
2480 North First Street, Suite 260
San Jose, CA 95131
Tel: (408) 432-8281
Fax: (408) 943-9790

Eastern Regional Office
Toko America, Inc.
107 Mill Plain Road
Danbury, CT 06811
Tel: (203) 748-6871
Fax: (203) 797-1223

Semiconductor Technical Support
Toko Design Center
4755 Forge Road
Colorado Springs, CO 80907
Tel: (719) 528-2200
Fax: (719) 528-2375

Visit our Internet site at <http://www.tokoam.com>

The information furnished by TOKO, Inc. is believed to be accurate and reliable. However, TOKO reserves the right to make changes or improvements in the design, specification or manufacture of its products without further notice. TOKO does not assume any liability arising from the application or use of any product or circuit described herein, nor for any infringements of patents or other rights of third parties which may result from the use of its products. No license is granted by implication or otherwise under any patent or patent rights of TOKO, Inc.