

Application Note

AN2320/D
Rev. 0.1, 8/2002

Interfacing the MCF5272 to a
Standalone CAN Controller



Lynne Kelly
TECD Applications

The Controller Area Network (CAN) protocol is a serial communications protocol developed in the early 1980's by Robert Bosch GmbH for the automotive sector and is currently the in vehicle Local Area Network (LAN) standard in Europe. The main CAN attributes are low cost, real-time capability, and the ability to function in harsh electrical environments with a high degree of reliability and safety (making it suitable not only for automotive applications but other cost sensitive, safety critical, real-time applications such as industrial control, building control, building automation, embedded networks, and medical equipment).

The ColdFire® microprocessor is an established cost-sensitive solution for industrial and embedded network applications today. Interfacing the MCF5272 ColdFire processor to a standalone CAN controller, with the intention of integrating CAN on a later ColdFire derivative with embedded Ethernet, will provide a solution for an increasing number of industrial applications requiring not only field bus communication peripherals but Ethernet connectivity also. These applications use a field bus to carry time-critical routine data between a central system controller and remote units such as motion controllers and sensors and require an Ethernet link to transfer data which is processed in larger blocks on an irregular basis.

The Ethernet link facilitates the communication with standard PCs, typically running email, database applications, and web browsers. At the extreme, internet capability would potentially allow plants to be monitored from anywhere on the globe. For the real-time requirements at the field bus layer, CAN would be required. Ethernet is probabilistic in that it is often uncertain when a device on the network will be able to communicate as there is typically no guarantee of message transfer and no prioritisation. CAN is more deterministic and hence more reliable for the cyclical and routine transfer of data at the interface to units that require reliable and timely control (such as motors, robotics, and PLCs).

This application note details the hardware design and software development of a reference design which interfaces the MCF5272 microprocessor to the Infineon 82C900 standalone CAN controller. It is recognised that an integrated solution would undoubtedly be more cost effective, would make the design of PCBs simpler, would result in smaller space requirements, and could reduce the CPU loading by half. However, the majority of today's 32-bit integrated products are focussed on automotive markets and none offer both embedded Ethernet and CAN. This two-chip ColdFire solution is intended to provide a migration path to the first ColdFire product with on-chip CAN and the first 32-bit microprocessor with both on-chip CAN and on-chip Ethernet. Standalone CAN controllers still tend to ship in large numbers which helps drive the cost of the device down. This, coupled with the low cost/performance ratio of ColdFire microprocessors in general, makes the two-chip solution a viable alternative in the interim.

**For More Information On This Product,
Go to: www.freescale.com**

The reference design is based on the M5272C3 development board using a daughter card to provide the standalone CAN controller circuitry. This application note details the design process, starting with an overview of the MCF5272 processor and the 82C900 CAN controller, and the reasons for choosing them. It is followed by a more detailed look at both the hardware design and software development. Full schematics and basic example application software can be downloaded from the M5272C3 CAN webpage on Motorola's ColdFire website. Motorola websites referred to in this document can be accessed from www.motorola.com/semiconductors.

1.0 Design Overview

The object of this section is to outline the principles of the MCF5272 CAN reference design, to give an overview of the MCF5272 microprocessor and the 82C900 CAN controller, and to explain the reasons for choosing them for this design. For additional and more detailed information on the MCF5272 and the 82C900 themselves, please refer to the MCF5272 webpage, and the 82C900 user's manual, http://www.infineon.com/cgi/ecrm.dll/ecrm/scripts/public_download.jsp?oid=16123&parent_oid=16899.

Figure 1 shows the basics of the reference design. The MCF5272 microprocessor is interfaced to the Infineon 82C900 CAN controller using a Queued Serial Peripheral Interface (QSPI). The CAN controller implements the CAN protocol while an external CAN transceiver, the Philips PCA82C250, provides physical connection to the CAN bus. Two transceivers are shown here, as the Infineon CAN controller is a twin CAN device with dual CAN nodes allowing connection to two independent CAN buses. There is no need for a second transceiver if only one node is required.

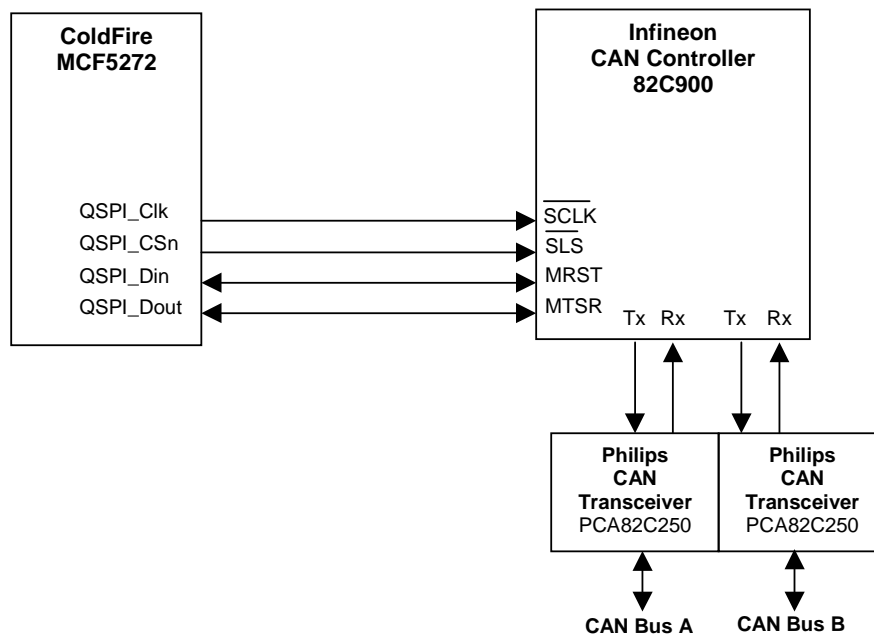


Figure 1. MCF5272 CAN Reference Design Overview

1.1 MCF5272 Microprocessor

The MCF5272 is a 32-bit embedded processor based on a V2 ColdFire core. This is the most application-specific ColdFire processor to date, targeted at the low-end communications market. On-chip peripherals include a Fast Ethernet Controller, a USB 1.1 slave device, a Physical Layer Interface Channel

with four TDM ports, a software HDLC module, a QSPI module, and support for a 3 channel PWM. In addition, it retains the System Integration Module, the Chip-Select Module, the MAC and hardware divide unit, the General Purpose Timers, and the real-time BDM interface standard on all ColdFire devices.

The decision to use the MCF5272 ColdFire microprocessor was based on the peripheral set, ease of interface, and the overall system cost. There is an increasing demand for Ethernet and CAN integrated on chip; while no ColdFire product will offer both until 2003, the MCF5272 does have on-chip Ethernet, which reduces the additional peripherals required. There are also other MCF5272-specific peripherals, including USB and QSPI, which may be required in industrial markets.

Also, the majority of available standalone controllers offer a multiplexed bus interface and a serial peripheral interface (SPI); they rarely offer a non-multiplexed parallel bus interface that can be gluelessly interfaced to a ColdFire processor. Using the MCF5272 with on-chip SPI increases the choices of suitable CAN controllers on the market and avoids increasing the complexity and cost of the design using bus interface glue logic.

Lastly, CAN applications, both industrial and automotive, are often cost critical; therefore, it is imperative that overall system cost is kept to a minimum. For applications requiring both CAN and Ethernet, this solution will still be competitively priced because of the aggressive price/performance ratio of MCF5272. A standalone CAN solution may cost more than some 32-bit integrated solutions, but these solutions are typically targeted at different markets and offer no Ethernet connectivity.

1.2 CAN Controller

The Infineon 82C900 TwinCAN controller is a standalone CAN controller with dual CAN nodes allowing connection to two independent buses. It can be interfaced to a host controller using either a multiplexed bus interface or an SPI interface, or it can be interfaced to an EEPROM via the SPI interface for initialisation when no external host is required. The 82C900 supports up to 32 message objects which can be assigned to both CAN nodes or one CAN node. It has a built-in, scalable FIFO mechanism for message reception and transmission and a built-in gateway functionality for transferring messages between the nodes. There is also a timestamp/frame counter to indicate when a message was last transmitted or received (or to indicate how many times a message has been transmitted or received) and a CAN Analyser for monitoring activity on the CAN bus.

There are a number of standalone CAN controller modules on the market that adhere to different specifications, support variable data rates, and require different levels of CPU intervention. The Infineon 82C900 standalone controller was chosen because it supports the CAN 2.0B protocol, because it provides an SPI interface for glueless connection to the MCF5272, because it will support data rates up to 1Mbit/s, and because of the level of message transmission and acceptance filtering it supports.

There are currently three CAN protocols, CAN 2.0A, CAN 2.0B, and CAN 2.0B passive. The Infineon device supports CAN 2.0B. The difference between these protocols lies in the length of message identifier they can transmit and receive in a message frame. A CAN 2.0A controller can handle standard frames with an 11-bit identifier while a CAN 2.0B controller can transmit standard frames and extended frames with 29-bit identifiers. Finally, CAN 2.0B passive controllers can transmit only standard frames but can receive both standard and extended frames. For the majority of today's applications CAN 2.0B is considered standard, with system designers often requiring the extended 29-bit identifier to relieve them from compromises with respect to defining well-structured naming schemes. The majority, if not all, of the integrated CAN solutions on the market support CAN 2.0B. The backward-compatible nature of the CAN protocol ensures the Infineon device can also handle messages with the standard frame format.

Regarding the interface, this has been touched on before. Few standalone CAN controllers on the market today have non-multiplexed bus interfaces and none offer a glueless interface to the MCF5272 external bus. Design complexity and additional cost in using a parallel interface resulted in SPI being the preferred choice.

In terms of data rate support, CAN data rates can vary between 10kbit/s and 1Mbit/s, depending on the length of the bus line and on the degree of fault tolerance required. A bus length of less than 40m makes 1Mbit/s achievable. CAN controllers vary in the data rates they support; most support up to 0.5Mbit/s or 1Mbit/s. The Infineon controller can handle 1Mbit/s which is desirable for many of today's real-time industrial applications.

Finally, standalone CAN controllers vary in the extent to which the CPU is required to take over message transmission. The simplest controller, known formerly as BasicCAN, has hardware logic dedicated to creating and verifying the bitstream according to protocol. Administration of data sets to be sent and received and comprehensive acceptance filtering is carried out by the CPU, placing increased overhead on the processor. Full CAN controllers, like the Infineon 82C900, include extra logic to provide object storage, support additional prioritisation capabilities, and implement comprehensive acceptance filtering. This, along with the additional on-chip FIFO and gateway mechanisms, ensures CPU overhead is kept to a minimum. In the end, this means real-time performance is optimised, which is often the most important criteria in the types of industrial-control and automation applications for which this is intended.

1.3 CAN Transceiver

The Philips PCA82C250 high-speed transceiver was chosen as the interface between the CAN controller and the CAN physical bus because it supports data rates up to a maximum of 1Mbps. Alternate transceivers such as fault-tolerant and single-wire transceivers limit the maximum data rate to 125 kbit/s and 33.33 kbit/s, respectively. High-speed transceivers typically support data rates in excess of 500 kbit/s.

2.0 Hardware Design

The MCF5272 CAN reference design is developed around the M5272C3 evaluation board using a daughter card for the CAN circuitry. The daughter card connects to the evaluation board using expansion connectors already provided.

The M5272C3 board provides the 10/100 Ethernet interface, RS232 interface, BDM interface, 4MB SDRAM, and 2MB Flash ROM for system development. For additional detailed information on the evaluation board, including full schematics, refer to the M5272C3 user's manual on the M5272C3 CAN webpage.

Figure 2 outlines the hardware design of the CAN daughtercard. The main features and key issues (interface, reset, clocking, power supply, and more) are explained in the remainder of this section. Full schematics and schematic summary can be downloaded from the ColdFire website.

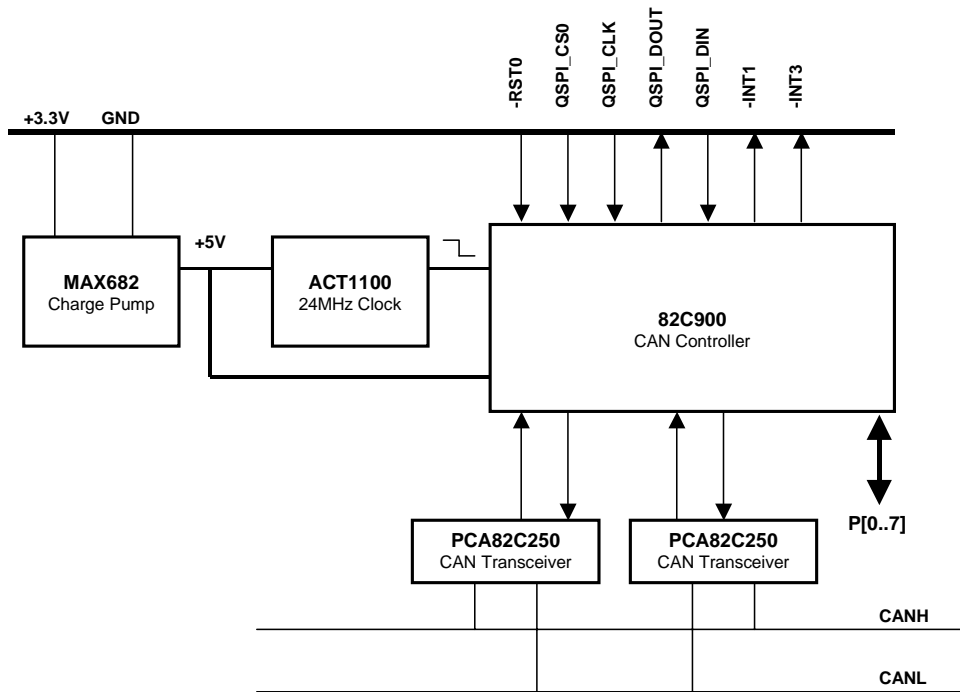


Figure 2. CAN Daughter-Card Circuitry

2.1 SPI Interface

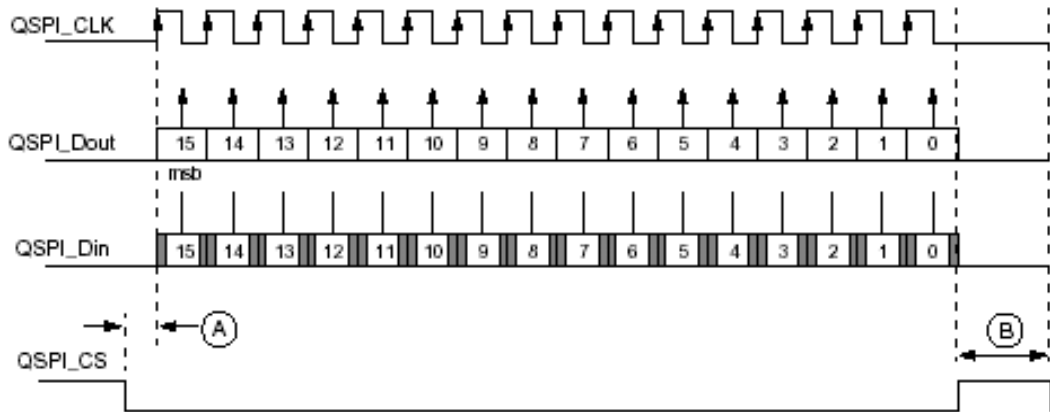
The MCF5272 QSPI module provides a glueless SPI interface to the 82C900's synchronous serial channel (SSC). The QSPI and SSC hardware interfaces are detailed here.

2.1.1 MCF5272 QSPI Module

The QSPI module on the MCF5272 provides a serial peripheral interface with queued transfer capability, which allows up to 16 data transfers with no CPU intervention. The QSPI interface will support data transfers, msb first, of anywhere between 8 and 16 bits. It will support baud rates from 129.4Kbps up to 16 MBps and can be interfaced to a maximum of 15 devices using the four peripheral chip-select lines.

The module has a total of seven signals: QSPI_Dout, which is the serial data output from the QSPI module, QSPI_Din, which is the serial data input to the QSPI module, QSPI_CLK, which is the QSPI clock output, and QSPI_CS[0:3], which are the four peripheral chip-select output signals. Four signals are used to interface to the 82C900: QSPI_Dout, QSPI_Din, QSPI_CLK and QSPI_CS0.

The clock phase, clock polarity, chip select active logic level, and delays before and after transfer highlighted in Figure 3 are all programmable via the QSPI registers. This flexibility in clocking and data transfer eliminates the need for additional glue logic to meet the 82C900 timing requirements or to accommodate the polarity and phase of its clock, which are internally configured. The data transfer baud rate is also programmable; this is explained in more detail in Section 2.2, "Clocking."



A = QSPI clock delay. Determines the length of delay from the assertion of the chip-select to a valid QSPI_CLK delay. Programmed in the QSPI delay register (QDLYR).

B = Delay after transfer. Determines the length of delay after a serial transfer. Programmed in the QSPI delay register (QDLYR).

Clock polarity is set to 0 making the inactive state of QSPI_CLK to be logic level 0.

Clock phase is set to 1 to have data changed on the leading edge and captured on the following edge.

Figure 3. QSPI Clocking and Data Transfer Parameters

2.1.2 82C900 Synchronous Serial Channel

The 82C900 Synchronous Serial Channel (SSC) is an SPI-compatible serial interface, which can be used to connect the CAN controller to an external host. Transfers can be single-read or single-write accesses although the channel itself is optimised for multiple transfers to consecutive addresses. An example of a consecutive read access and a consecutive write access is shown in Figure 4. When the chip select is activated, the first byte transferred should always be an address byte. The address itself is 7 bits wide with the 8th bit, A7, used to indicate whether the access is a read or a write. If a consecutive access is requested, then all transfers following the address are data transfers. The SSC internally increments the register addresses during the transfer. The chip-select signal must remain active for the duration.

The 82C900 SSC is configured internally for 8-bit data transfers with msb first. Clock polarity is set to inactive high; clock phase is configured for data shift on the leading edge and data capture on the following edge of the SPI clock. The MCF5272 is also fixed for msb-first transfer while the data transfer size, the clock polarity, and clock phase are programmable as detailed in Section 2.1.1, “MCF5272 QSPI Module.”

Mode pins on the 82C900 are used to configure the interface, to choose between an 8-bit multiplexed bus and the SSC, and to select master when no external host is used or slave when it is. In this design, the MCF5272 is the external host acting as master in the system, and the mode input pins are set for the SSC interface and slave operation.

The MCF5272 QSPI signals are connected to four control pins on the 82C900, the functions of which are multiplexed by the mode inputs. When the SSC interface is used in slave mode, control pin 0 (the 82C900 chip-select) is configured as an input, control pin 1 is configured as a serial clock input, control pin 2 is configured as a serial data input (Master Transmit Slave Receive), and control pin 3 is configured as a serial data output (Master Receive Slave Transmit).

Infineon has added an optional fifth signal, a ready signal (RDY), to the standard SPI interface. This is a handshake signal, which can be used to indicate when the serial interface can be accessed by the host. However this RDY signal is not required provided the SSC timings detailed in Section 2.1.3, “Timing” are adhered to. While it would be a simple case of connecting the ready input signal to a GPIO pin on the MCF5272 and reading the level before accessing the CAN controller, the MCF5272 QSPI programmable delays before and after transfer means the timing specifications can be met without using the RDY signal.

2.1.3 Timing

Figure 4 gives the 82C900 SSC timing requirements that must be met in the absence of a ready signal that indicates to the host when a transfer is allowed. A consecutive-read access and a consecutive-write access are shown. The first byte transferred is the address and any subsequent transfers are data bytes which are read or written to consecutive addresses starting at the address defined. In this mode, the chip-select signal must remain active until the transfer of all data for that access is complete.

All timing requirements, except minimum delay after reset (see Section 2.3, “Reset”), are met by programming the QSPI clock delay and the QSPI delay after transfer on the MCF5272. The QSPI clock delay determines the delay between chip-select assertion and the first valid serial clock transition, and the QSPI delay after transfer determines the delay after each serial transfer. In Figure 4, the clock delay is programmed to meet specification (A), while the delay after transfer is programmed to meet all other timing requirements. The delay after transfer is inserted not only on the negation of the chip-select signal (E) but also between data transfers (B, C, F and G) and following the final data transfer (D) of consecutive reads or writes.

The QSPI clock delay ($SCLK_{DELAY}$) and the delay after transfer ($TxRx_{DELAY}$) are defined by the following equations:

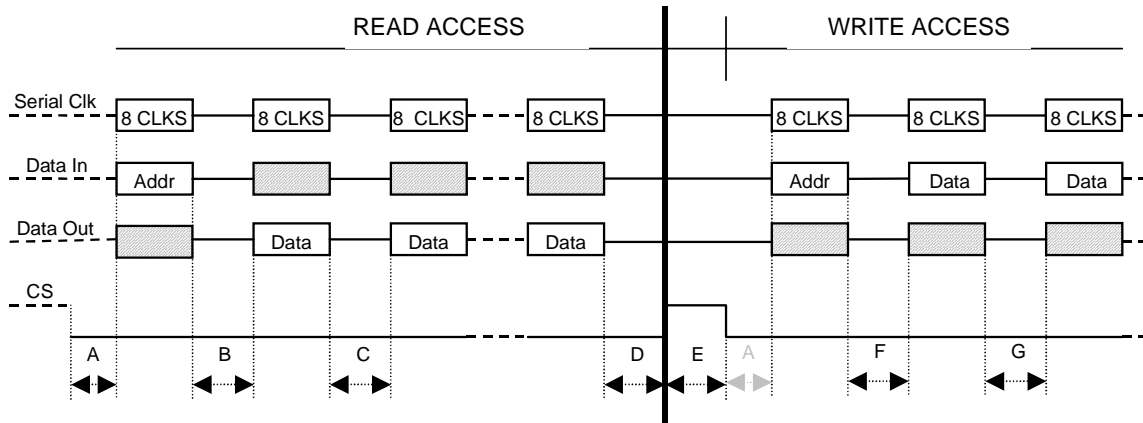
$$SCLK_{DELAY} = \frac{QCD}{CLKIN}$$

$$TxRx_{DELAY} = \frac{32 \times DTL}{CLKIN}$$

QCD has a range of 1-127, DTL has a range of 1-255 and CLKIN is the system clock frequency.

For a 66MHz system clock, the QSPI clock delay is programmable between 15ns and 1.9µs, and the delay after transfer is programmable between 485ns and 124µs (with the option of using a standard delay of 258ns). A QCD of 6 (90ns delay) and a DTL of 2 (970ns) were chosen to meet the worst case specifications shown in Figure 4.

Clocking



Name	Parameter	Min Time, $f_{CAN} = 24 \text{ MHz}$
A	CS active to SerialClk active	84ns
B	Address transfer to data byte transfer, read access	584ns
C	Data byte transfer to data byte transfer, read access	584ns
D	Last data byte transfer to CS inactive	459ns
E	CS inactive to CS active	167ns
F	Address transfer to data byte transfer, write access	209ns
G	Data byte transfer to data byte transfer, write access	209ns

Figure 4. 82C900 SSC Timing Specification

2.2 Clocking

2.2.1 CAN Controller Clock Input

A 24-MHz external oscillator is used to clock the CAN controller. This ensures that the CAN protocol can be handled on both nodes at 1Mbps when the CAN controller is interfaced to an external host using the maximum access rate. This assumes the built-in gateway and FIFO functions are not being used. For systems that require these additional data handling capabilities, a higher frequency may be required unless the external host-access rate is reduced. In the worst case, the data handling capability would be reduced to 500kbps for each node when both the FIFO and the gateway functions are running with a 24-MHz clock input. Using a 24-MHz clock input also means the oscillator chip can be replaced directly by the USB clock and clock divider with no software modification or interface timing implications if preferred. The integrated USB controller on the MCF5272 requires a 48-Mhz oscillator which is provided externally on the M5272C3 board.

2.2.2 SPI Baud Rate

The 82C900 CAN controller serial interface baud rate is limited to $\frac{f_{CAN}}{4}$ where f_{CAN} is the input clock frequency. At 24 MHz this gives a maximum possible baud rate of 6 Mbps. The MCF5272 QSPI is programmable and is set by the baud field in the QSPI mode register (QMR) as follows:

$$SPI_{BAUDRATE} = \frac{CLKIN}{2 \times B}$$

where CLKIN is the system clock frequency (66 MHz here) and B represents the value in the baud field of the QMR register and lies between 1 and 255. As a baud rate of 6MBps would require $B = 5.5$ the maximum achievable baud rate will be 5.5 MBps, with $B = 6$.

2.3 Reset

The reset output signal from the MCF5272 processor (-RSTO) is used to drive the reset of the 82C900 CAN controller. As the reset signal to the CAN controller need only be asserted for 5 CAN clock cycles which at 24 MHz equates to 14 MCF5272 CPU clocks when running at 66 MHz, any MCF5272 reset will reset the CAN controller.

The four MCF5272 resets are master reset, normal reset, soft reset, and software watchdog timer reset. Master reset will reset the entire processor including SDRAM, normal reset will terminate all bus activity except SDRAM refresh cycles ensuring data stored in SDRAM is not lost during a reset, soft reset will reset all external devices and all internal peripherals excluding the SIM, the chip-select controller, the interrupt controller, the GPIO module and the SDRAM controller, and the software watchdog timer will generate a reset if it is not periodically accessed by software as programmed. -RSTO is driven low for 128 CPU clocks during soft reset and for 32K CPU clocks when a low input level is applied to -RSTI during a master and normal reset or when the software watchdog timer times out.

It should be noted that there must be a delay of 1100 CAN clock cycles following the negation of -RSTO and before accessing the CAN controller. Reset exception processing which follows the negation of -RSTO will not provide the required delay but the system initialisation process should.

2.4 Power

The M5272C3 board which the CAN daughter card is connected to supplies 3.3V power only. The 5V input required by the CAN controller, the CAN transceivers, and the 24 MHz oscillator chip is provided by a Maxim charge pump on the daughter card itself. The MAX682 was chosen because it is capable of delivering the 250mA required to meet the maximum possible combined load from the 82C900, the PCA82C250, and the ACT1100 oscillator chips.

2.5 Interrupts

The 82C900 has 72 interrupt request sources in total. These 72 sources are assigned to 1 of 8 CAN interrupt nodes which can then be driven on the output pins `OUT0` and `OUT1`.

The 72 interrupt sources are divided up as follows. Each of the 32 message objects have 2 interrupt request sources indicating when a message has been received or when a message has been transmitted. Each CAN node also has four global interrupt requests which include

- TxRx OK—Indicates when a message, assigned to that node, has been transmitted or received okay
- Last Error Code—Indicates the last error to occur (stuff/format/CRC/bus arbitration)
- Error—Indicates when the number of CAN bus errors exceeds a predefined limit
- Frame Counter—Indicates transfer sequence of message objects and the time instant a frame was last transmitted or received.

Each message object assigned to the CAN node can be a source for these errors. Mask registers are used to determine which interrupts within each message should be recognised or ignored for the generation of the CAN node global interrupt request.

Both the message-specific and the CAN node specific global interrupts are distributed among eight interrupt nodes, CAN interrupt nodes 0 – 7, via Message Configuration and Global Interrupt Node Pointer registers. Each node can then be assigned to one of the two interrupt request outputs, $\overline{\text{OUT0}}$ and $\overline{\text{OUT1}}$. Requests received from interrupt node 1 only or from interrupt nodes 1, 3, 5 and 7 combined can be output on $\overline{\text{OUT1}}$, and requests from interrupt node 0 only or from nodes 0, 2, 4, 6 again combined, can be output on $\overline{\text{OUT0}}$.

It should be noted that $\overline{\text{OUT0}}$ has dual functionality. The 82C900 has an on-chip oscillator that can be used to generate a system clock. With an on-chip clock divider, $\overline{\text{OUT0}}$ can be used to provide a reduced-clock output for external devices which may need a slower clock. $\overline{\text{OUT0}}$ is configurable via the Global Device Control Register.

2.6 82C900 Extended I/O

When using the SSC on the 82C900, the I/O pins of the parallel bus (P0:P7) can be configured as I/O with extended functionality. The logic state of each pin is recorded in registers on the CAN device which can be accessed by the CAN bus. They can be used

- To initiate a message transfer
- As GPIO where the pin state is written to or read from the CAN device registers
- As a CAN status monitor to monitor the internal status of the CAN controller during message transfer including which part of a data/remote/error frame is currently being transferred and which value has been read by a CAN node (A,B) on the associated bus. There are also output clock lines which are asserted high once during each bit time.

These I/O pins are taken out to a header on the daughtercard.

3.0 Software Development

This section outlines the software for a basic application example that sets up the 82C900 CAN controller to transmit a message, receive a message, and interrupt the MCF5272 when a message is received. It begins with an overview of the code required to send and receive a byte over the MCF5272 QSPI, illustrating how data is written to and read from the 82C900 registers. It is followed by a description of the 82C900 register set and details on how the registers are addressed when using the 82C900 SSC interface. The initialisation of both CAN nodes is then covered and finally, in Section 3.4, “CAN Transmit and Receive,” two message objects are set up, one assigned to CAN node A for transmit and one assigned to CAN node B for receive.

The software was verified initially by connecting the CAN transceivers on the daughtercard externally. The transmit and receive message objects assigned to each node were given the same ID so node B would receive the message transmitted by node A and generate an interrupt. The M5272C3 board and CAN daughter card were then connected via a CAN bus to an MPC555 development board to test the MCF5272 CAN reference design fully.

The code has been developed using Wind River’s Diab compiler and visionClick debugger and can be downloaded from the MCF5272C3CAN webpage for modification for another tool chain or to be used as a template for further development.

3.1 Transmitting and Receiving over the MCF5272 QSPI Interface

The QSPI module is a standard SPI interface with queuing capabilities. Using an 80-byte block of static RAM, the QSPI module can queue up to 16 transfers without CPU intervention. The RAM is divided into a receive data RAM which is the initial destination for all received data, a transmit data RAM which is a buffer for all out-bound data, and a command RAM which holds command data for each QSPI command to be executed (including which chip-select to activate, whether to enable delays, how many bits to transfer etc.).

The RAM is organised as 16 entries where 1 byte of command data, 1 word of transmit data, and 1 word of receive data comprise 1 queue entry. It cannot be accessed directly but must be accessed via the QSPI address register (QAR) and the QSPI data register (QDR). A write to the QDR results in data being written to the RAM entry specified by the address in the QAR and a read from the QDR results in the data stored at the address specified by the QAR being written to the QDR. The address stored in the QAR automatically increments after a read from or a write to the QDR.

QSPI operation is initiated by writing a queue of commands to the command RAM, writing transmit data into transmit RAM, and then enabling the QSPI to begin transfer. The QSPI begins execution at the command in the queue entry pointed to by a queue pointer and the transmit data at the same entry is transmitted. Data that is simultaneously received is stored in this entry before the queue pointer is incremented. When all commands are executed the QSPI finished flag is set and an interrupt can be generated. Queue pointers can be used to begin or end transfer at any entry in the queue and to determine which command was last completed.

The flowchart in Figure 5 outlines the process of sending a byte of data to and reading a byte of data from the 82C900 CAN controller. This explains the initialisation and mechanics of the MCF5272 QSPI interface only. Accessing the registers on the Infineon device, in particular the addressing, is described in detail in Section 3.2, "Accessing the 82C900 Register." The initialisation, the send byte, and the receive byte software routines are also given. Refer to the MCF5272 user's manual on the MCF5272 webpage for the QSPI module register set and bit level detail.

Freescale Semiconductor, Inc.

Transmitting and Receiving over the MCF5272 QSPI Interface

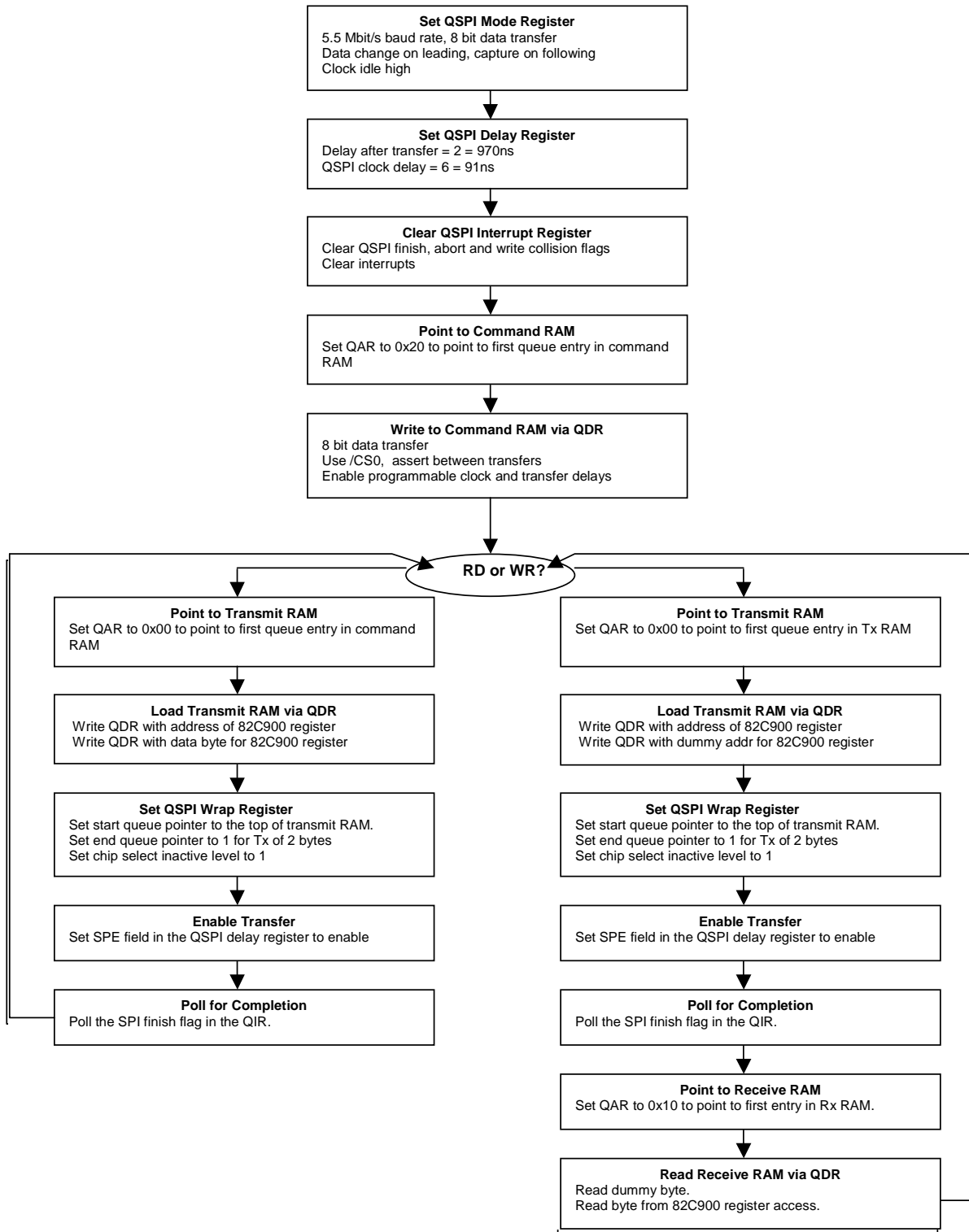


Figure 5. MCF5272 QSPI: Reading and Writing to the 82C900

The QSPI initialisation software in the example code is used to set up the baud rate, clock phase, clock polarity, clock delay, and delay after transfer. It is also used here to set up the command RAM. All entries in the command RAM have the programmable delays enabled. As the timing specifications of the 82C900

Freescale Semiconductor, Inc.
Transmitting and Receiving over the MCF5272 QSPI Interface

vary between the different accesses (for example, the minimum time for a read access can be three times as much as a write access), it may be desirable to change the command RAM entries when switching between a read transfer and a write transfer. QSPI initialisation code:

```
void      mcf5272_qspi_init()
{

MCF5272_IMM *imm = mcf5272_get_immp();
/*Set QSPI mode register, 5.5Mbit/s, 8 bit, data change on leading, clock idle high*/
MCF5272_WR_QSPI_QMR(imm,MCF5272_QSPI_QMR_CAN);
/*Set delay after transfer and clock delay*/
MCF5272_WR_QSPI_QDLYR(imm,MCF5272_QSPI_QDLYR_CAN);
/*Clear flags and interrupts*/
MCF5272_WR_QSPI_QIR(imm,MCF5272_QSPI_QIR_CAN);
/*Point to top of command RAM*/
MCF5272_WR_QSPI_QAR(imm,MCF5272_QSPI_QAR_Comm);
/*Set each entry for continuous transfer, 8 bit transfer, to use /CS0 and delays*/
MCF5272_WR_QSPI_QDR(imm,MCF5272_QSPI_QDR_CR_CONT);
MCF5272_WR_QSPI_QDR(imm,MCF5272_QSPI_QDR_CR_CONT);
MCF5272_WR_QSPI_QDR(imm,MCF5272_QSPI_QDR_CR_CONT);
MCF5272_WR_QSPI_QDR(imm,MCF5272_QSPI_QDR_CR_CONT);
MCF5272_WR_QSPI_QDR(imm,MCF5272_QSPI_QDR_CR_CONT);
MCF5272_WR_QSPI_QDR(imm,MCF5272_QSPI_QDR_CR_CONT);
MCF5272_WR_QSPI_QDR(imm,MCF5272_QSPI_QDR_CR_CONT);
MCF5272_WR_QSPI_QDR(imm,MCF5272_QSPI_QDR_CR_CONT);
MCF5272_WR_QSPI_QDR(imm,MCF5272_QSPI_QDR_CR_CONT);
MCF5272_WR_QSPI_QDR(imm,MCF5272_QSPI_QDR_CR_CONT);
MCF5272_WR_QSPI_QDR(imm,MCF5272_QSPI_QDR_CR_CONT);
MCF5272_WR_QSPI_QDR(imm,MCF5272_QSPI_QDR_CR_CONT);
MCF5272_WR_QSPI_QDR(imm,MCF5272_QSPI_QDR_CR_CONT);
MCF5272_WR_QSPI_QDR(imm,MCF5272_QSPI_QDR_CR_CONT);
MCF5272_WR_QSPI_QDR(imm,MCF5272_QSPI_QDR_CR_CONT);
MCF5272_WR_QSPI_QDR(imm,MCF5272_QSPI_QDR_CR_CONT);
MCF5272_WR_QSPI_QDR(imm,MCF5272_QSPI_QDR_CR_CONT);
MCF5272_WR_QSPI_QDR(imm,MCF5272_QSPI_QDR_CR_CONT);
MCF5272_WR_QSPI_QDR(imm,MCF5272_QSPI_QDR_CR_CONT);
}
}
```

Writing to the 82C900 register:

```
/*The address of 82C900 register and data to be written to it are passed*/
void QSPI_SendByte(uint16 CanRegAddr, uint8 Data)
{
MCF5272_IMM *imm = mcf5272_get_immp();
/*Determine 82C900 register address*/
CAN_SetPageReg((uint8)(CanRegAddr>>7));
/*Point to top of Tx RAM*/
```

Freescale Semiconductor, Inc.

Transmitting and Receiving over the MCF5272 QSPI Interface

```
MCF5272_WR_QSPI_QAR(imm, MCF5272_QSPI_QAR_Tx);
/*Write 82C900 register address into Tx RAM via QDR indicating a write*/
MCF5272_WR_QSPI_QDR(imm,(uint8)(CanRegAddr|CanWriteMask));
/*Write data for 82C900 register into Transmit RAM via QDR*/
MCF5272_WR_QSPI_QDR(imm,Data);
/*Set Wrap register for byte transfer (2 bytes), starting at top of Tx RAM*/
MCF5272_WR_QSPI_QWR(imm,MCF5272_QSPI_QWR_SendByte);
/*Set SPE flag in Delay register to enable transfer*/
MCF5272_WR_QSPI_QDLYR(imm,MCF5272_QSPI_QDLYR_CanEnable);
/*Poll the QSPI finish flag for completion*/
while (!(MCF5272_RD_QSPI_QIR(imm) & MCF5272_QSPI_QIR_QSPIFinish))
    ;
}
```

Reading an 82C900 register:

```
/*The address of 82C900 register to be read is passed*/
uint8 QSPI_ReadByte(uint16 CanRegAddr)
{
    MCF5272_IMM *imm = mcf5272_get_immp();
    /*Determine 82C900 register address*/
    CAN_SetPageReg((uint8)(CanRegAddr>>7));
    /*Point to top of Tx RAM*/
    MCF5272_WR_QSPI_QAR(imm,MCF5272_QSPI_QAR_Tx);
    /*Write 82C900 register address to be read into Tx RAM via QDR*/
    MCF5272_WR_QSPI_QDR(imm,(uint8)(CanRegAddr&CanReadMask));
    /*Dummy transmission to ensure QSPI clock enable for receiving byte*/
    MCF5272_WR_QSPI_QDR(imm,(uint8)(CanRegAddr&CanReadMask));
    /*Set Wrap register for byte read transfer (2 bytes) starting at top of Tx RAM*/
    MCF5272_WR_QSPI_QWR(imm,MCF5272_QSPI_QWR_ReadByte);
    /*Set SPE flag in Delay register to enable transfer*/
    MCF5272_WR_QSPI_QDLYR(imm,MCF5272_QSPI_QDLYR_CanEnable);
    /*Poll the QSPI finish flag for completion*/
    while (!(MCF5272_RD_QSPI_QIR(imm) & MCF5272_QSPI_QIR_QSPIFinish))
        ;
    /*Point to top of Rx RAM*/
    MCF5272_WR_QSPI_QAR(imm,MCF5272_QSPI_QAR_Rx);
    /*Read dummy byte received as address being transmitted*/
    dummy = (uint8)MCF5272_RD_QSPI_QDR(imm);
    /*Read data received from the 82C900 register*/
    RxByte = (uint8)MCF5272_RD_QSPI_QDR(imm);
}
```

3.2 Accessing the 82C900 Register

The 82C900 register set is divided between the global control shell and the message buffer unit. The global control shell registers are known as the standalone shell registers, and they control the initialisation process after power-on or reset, provide status information to the CPU on message transfers or on any pending transfer interrupts, and are responsible for condensing the 72 interrupt sources to 8 to be distributed among the 8 available CAN interrupt nodes. The registers assigned to the message buffer unit are known as the TwinCAN registers. These registers are used as buffers for the 32 message objects and also as managers of the FIFO, to transfer messages between the nodes internally if the in-built gateway logic is being used, and to provide interrupt requests for transmission or on reception of a message object. An overview of the memory map is given below in Figure 6. For register-specific information refer to the Infineon 82C900 user's manual,

http://www.infineon.com/cgi/ecrm.dll/ecrm/scripts/public_download.jsp?oid=16123&parent_oid=16899.

+0000 _H	Standalone Registers
+0080 _H	Reserved
+0200 _H	TwinCAN Registers (CAN node & Control)
+02C0 _H	Reserved
+0300 _H	TwinCAN Registers (Message Object 0)
+0320 _H	TwinCAN Registers (Message Object 1)
⋮	⋮
+06E0 _H	TwinCAN Registers (Message Object 31)

Figure 6. 82C900 Register Map

Accessing all registers on the memory map requires 11-bit addressing. Referring to Figure 4, the first byte transmitted by the host during an access contains address information. All other transfers during the same access are data transfers. Of the first byte transferred, only the lower seven bits are used to define the register address. The eighth bit, A7, is used to indicate whether the access is a read or a write transfer. The upper four bits of the register address are provided by the PAGE register in the standalone shell register set. The PAGE register itself can be accessed at addresses xx7C_H or xxFC_H and hence independently of the value stored in the register.

The 82C900 register address is therefore split in two as illustrated by the code below. This highlights the setting of the register address for a write access. The upper four bits of the address are written to the PAGE register and the lower 7 bits are concatenated with the read or write command and transmitted over the SPI.

```
void QSPI_SendByte(uint16 CanRegAddr, uint8 Data)
{
    MCF5272_IMM *imm = mcf5272_get_immp();

    /*Pass upper 4 bits of 82C900 register address to be accessed */
    CAN_SetPageReg((uint8)(CanRegAddr>>7));
    MCF5272_WR_QSPI_QAR(imm, MCF5272_QSPI_QAR_Tx);
    /*First byte to Tx over QSPI. Use lower 7 bits of address and force the 8th bit to 1 to
    indicate a write operation*/
    MCF5272_WR_QSPI_QDR(imm, (uint8)(CanRegAddr | CanWriteMask));
}
```

```

MCF5272_WR_QSPI_QDR(imm,Data);
MCF5272_WR_QSPI_QWR(imm,MCF5272_QSPI_QWR_SendByte);
MCF5272_WR_QSPI_QDLYR(imm,MCF5272_QSPI_QDLYR_CanEnable);
while (!(MCF5272_RD_QSPI_QIR(imm) & MCF5272_QSPI_QIR_QSPIFinish))
    ;
}
/*The upper 4 bits of the register address are passed.*/
void CAN_SetPageReg(uint8 PageNumber)
{
MCF5272_IMM *imm = mcf5272_get_immune();

MCF5272_WR_QSPI_QAR(imm,MCF5272_QSPI_QAR_Tx);
/*Page register address. Can be accessed regardless of its contents*/
MCF5272_WR_QSPI_QDR(imm,CAN_PAGE|CanWriteMask);
/*Write upper four bits to PAGE register and enable auto increment*/
MCF5272_WR_QSPI_QDR(imm,PageNumber|CanAutoInc);

MCF5272_WR_QSPI_QWR(imm,MCF5272_QSPI_QWR_SetPageReg);
MCF5272_WR_QSPI_QDLYR(imm,MCF5272_QSPI_QDLYR_CanEnable);
while (!(MCF5272_RD_QSPI_QIR(imm) & MCF5272_QSPI_QIR_QSPIFinish))
    ;
}

```

To optimise data transfer between the host and the 82C900, the SSC can transfer a data stream upon the transmission of a single address. This is illustrated in Figure 4. The control bit for incrementing the address during these consecutive-read and consecutive-write accesses is contained in the PAGE register. When set, the contents of the address register are automatically incremented by one after each data-byte transfer. Incrementing is stopped at the boundaries between CAN message objects to prevent unintended corruption of CAN messages. Accidentally overwriting the PAGE register is also prevented.

3.3 82C900 Initialisation

The 82C900 initialisation software logically connects CAN nodes A and B to a CAN bus and allows them to participate in message transfer. Initialisation is required after the controller is reset by the MCF5272 processor and after the occurrence of a ‘bus off’ event, both of which will logically disconnect a node from its associated bus.

The code used to configure the CAN nodes is given below. During initialisation the CAN node must be disconnected from the bus; any interrupts must be reset and the baud rate must be defined. This involves updating the node control registers (ACR/BCR) and bit timing registers (ABTR, BBTR) for both CAN nodes and configuring the interrupt mask register for CAN node B to generate an interrupt when a message is received.

The node control registers control the initialisation process, control node-specific interrupts, and define the operating mode. The bit field descriptions of the lower 16 bits of the register are given in Figure 7 below.

15	8	7	6	5	4	3	2	1	0
0		CA	CCE	0	LECIE	EIE	SIE	0	INIT

Figure 7. Node A/B Control Registers (ACR/BCR)—Lower 16-bits

Table 1. Node A/B Control Registers (ACR/BCR)—Lower 16-bits Field Descriptions

Bits	Name	Description
15–8	—	Reserved
7	CA	Node used for CAN communication over the bus or as a CAN analyser to monitor bus activity
6	CCE	Bit timing register and error counter access enable
5	—	Reserved
4	LECIE	Last error code interrupt enable.
3	EIE	Error interrupt enable.
2	SIE	Status change interrupt enable.
1	—	Reserved
0	INIT	Connect or disconnect CAN node from bus.

The bit timing register controls the data transfer rate on the CAN bus. The bit field descriptions are given below and are followed by an explanation on how the values in these fields define the baud rate.

15	14	12	11	8	7	6	5	0
DIV8	TSEG2		TSEG1		SJW		BRP	

Figure 8. Node A/B Bit Timing Registers (ABTR, BBTR)

Table 2. Node A/B Control Registers (ACR/BCR)—Lower 16-bits Field Descriptions

Bits	Name	Description
15	DIV8	Baud rate prescaler clock source (CAN clock or CAN clock/8)
14–12	TSEG2	Time segment after sample point.
11–8	TSEG1	Time segment before sample point.
7–6	SJW	Resynchronisation jump width
5–0	BRP	Baud rate prescaler.

CAN bit time is divided into different segments (according to ISO-DIS 11898 standard) and each segment is a multiple of a time quantum. The segments are shown below. The synchronisation segment (Tsync) allows phase synchronisation between receiver and transmitter; the propagation time segment (Tprop) allows for physical propagation delay in the transceiver circuit; the buffer segments (Tbuff1 and Tbuff2) provide a delay before and after the data sample point to compensate for the phase difference between the receiver and transmitter detected during synchronisation.

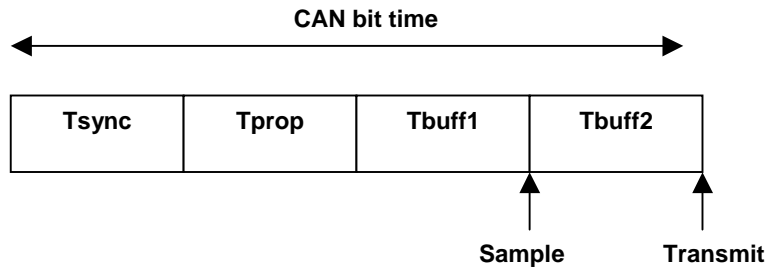


Figure 9. CAN Bit Time Segments

The CAN bit time, therefore, equates to $(T_{sync} + T_{prop} + T_{buff1} + T_{buff2}) \times t_{quantum}$ where $t_{quantum}$ is the period of the bit time quantum.

The TSEG1, SJW, and TSEG2 fields in the bit timing register are used to define the different segments and BRP and DIV8 set the time quantum period as follows:

$$T_{sync} = SJW + 1$$

$$T_{prop} + T_{buff1} = TSEG1 + 1$$

$$T_{buff2} = TSEG2 + 1$$

$$t_{quantum} = \frac{BRP + 1}{f_{CAN}}$$

For the register settings in the example code below, TSEG1 = 6, TSEG2 = 7, SJW = 0, BRP = 2. This results in a CAN bit time of 2us or a baud rate of 0.5Mbit/s. No baud rate prescaler is used; therefore, DIV8 is ignored in these calculations.

Initialisation code for both nodes is almost identical, the only difference being the initialisation of the CAN node B interrupt mask register to generate an interrupt when a message is received. Message object 0 is assigned to CAN node A and message object 1 is assigned to CAN node B. The initialisation code is shown for CAN node B.

```
/*Node control register : reset interrupts, stop CAN to initialise*/
QSPI_SendByte(CAN_BCR, 0x41);

/*Bit timing register : set for 500 kbit/s : ((0+1)+(6+1)+(7+1))* 0.125us*/
QSPI_SendByte(CAN_BBTR, 0x02);
QSPI_SendByte(CAN_BBTR+1, 0x67);

/*Enable msg obj 1 to be considered as interrupt source*/
QSPI_SendByte(CAN_BIMR0, 0x02);

/*synchronise CAN node to bus and enable*/
QSPI_SendByte(CAN_BCR, 0x00);
```

3.4 CAN Transmit and Receive

In the CAN application example code, CAN node A is used to transmit data on the CAN bus and CAN node B is used to receive data. When data is received, an interrupt is generated, the data is retrieved, and new data is transmitted.

To receive and transmit data, each node must be assigned a message object. This message object must be configured using the message object control, configuration, arbitration, and data registers. The message object control register is used to enable interrupts on transmitting or receiving a message, to tag a message

valid or invalid, and to signal the update of a message. The configuration register determines which CAN node the message object is assigned to, defines the message identifier length and number of data bytes to be transmitted or received, sets the object for transmit or receive, and selects the interrupt node to use if the message object is configured to generate an interrupt on transmitting or receiving a message. The data register is used to store data for transmission or to store any data received. There can be up to 8 data bytes per CAN message; therefore, each CAN message object has two 32-bit data registers. Finally, the arbitration register holds the message identifier. For bit-level specific information, refer to the 82C900 user manual, www.infineon.com/cgi/ecrm.dll/ecrm/scripts/public_download.jsp?oid=16123&parent_oid=16899.

In the example code the message objects are initialised in function main(), following the initialisation of the QSPI module and the initialisation of the 82C900 CAN controller as detailed above. The function main() is listed below. Message object 0 is assigned to CAN node A and configured to transmit 8 bytes of data, and message object 1 is assigned to CAN node B and configured to receive 8 bytes of data. Both message objects are assigned the same ID so that, when both nodes are connected externally via the transceivers, CAN node B will receive any data transmitted by CAN node A. In the interrupt service routine, also listed below, the data received is retrieved and output over the terminal UART on the M5272C3 board. The interrupt is then reset and new data is transmitted.

```
void main ()
{
mcf5272_wr_sr (MCF5200_SR_IPL_0);

/*Initialise the QSPI module*/
mcf5272_qspi_init();

/*CAN node A and B initialisation*/
CAN_Node_Init();

/*Assign Msg0 to CAN node A, to transmit 8 bytes of data, with standard ID of 2*/
CAN_MsgObj_Init(A, Msg0, Tx, 8, Stand, 2);
/*Assign Msg1 to CAN node B, to receive 8 bytes of data, with standard ID of 2*/
CAN_MsgObj_Init(B, Msg1, Rx, 8, Stand, 2);
/*Load Msg0 transmit data*/
CAN_MsgObj_TxData(Msg0, 8, 0xAA55AA55, 0x55AA55AA);
/*Enable Msg1 receive interrupt, assign to interrupt node 1 and /OUT1*/
CAN_MsgObj_IntEnable(Msg1,Rx,1);
/*Enable Msg1 to receive*/
CAN_MsgObjRx_Enable(Msg1);
/*Enable Msg0 to begin transmitting*/
CAN_MsgObjTx_Start(Msg0);

while (1)
;
}
```

Freescale Semiconductor, Inc.

CAN Transmit and Receive

```
__interrupt__
void ext_irq1_handler (void)
{
    MCF5272_IMM *imm = mcf5272_get_imm();
    printf("ext_irq1_handler\n");
    /*Read received data and output over M5272C3 terminal uart*/
    CAN_MsgObj_RxData(Msg1,8);
    /*Set Int1 IPL =6, for /Out1*/
    MCF5272_WR_SIM_ICR1(imm,0xE8888888);
    /*Msg obj interrupt pending flag reset*/
    CAN_MsgObj_IntReset(Msg1);
    /*Reset transmission message object, inhibit transmission*/
    CAN_MsgObjTx_Reset(Msg0);
    /*Alternate message object 0 Tx data*/
    if (toggle)
    {
        CAN_MsgObj_TxData(Msg0, 8, 0x55AA55AA, 0x11001100);
        toggle = 0;
    }
    else
    {
        CAN_MsgObj_TxData(Msg0, 8, 0x11001100, 0x55AA55AA);
        toggle = 1;
    }
    /*Set message object to start transmission*/
    CAN_MsgObjTx_Start(Msg0);
}
```

The functions called by main and by the interrupt service routine have been made as generic as possible allowing any message object to be assigned to any node, allowing any message object to be configured as a transmit object or a receive object, allowing any number of bytes for transmission or reception, allowing the ID of any message to be changed easily, and ensuring interrupts can be enabled or disabled easily.

CAN_MsgObj_Init assigns a message object to a node, defines the number of bytes for transfer, and sets the message ID. During initialisation and update, the message object must be set to invalid to prevent the CAN controller from using it. All request flags must be reset, the new data flag must be reset to show no update of data has occurred yet, and in the case of a transmit message object, automatic transmission must be disabled. Once the flags are reset, the message object is inoperable and automatic transmission is disabled. When the message object is configured to receive then the data lost flag must be reset.

```
void CAN_MsgObj_Init(uint8 Node, uint8 Msg, uint8 TxRx, uint8 NoBytes, uint8 ID, uint32
IDnum)
{
    /*Msg obj tagged invalid to allow update*/
    QSPI_SendByte(CAN_MSG_CTRL + (Msg*0x20), 0x7F);
}
```

Freescale Semiconductor, Inc.

CAN Transmit and Receive

```
/*Msg obj interrupt pending flag reset*/
QSPI_SendByte(CAN_MSG_CTRL + (Msg*0x20), 0xFD);
/*Msg obj remote request flag reset*/
QSPI_SendByte(CAN_MSG_CTRL+ (Msg*0x20),0x7F);
/*Msg obj transmission request flag reset*/
QSPI_SendByte(CAN_MSG_CTRL+1 + (Msg*0x20), 0xDF);
/*Inhibit transmission for Tx or reset data lost flag for Rx */
if (TxRx == Tx)
    QSPI_SendByte(CAN_MSG_CTRL+1 + (Msg*0x20), 0xFD);
else if (TxRx == Rx)
    QSPI_SendByte(CAN_MSG_CTRL+1 + (Msg*0x20), 0xF7);
/*Reset msg obj new data flag */
QSPI_SendByte(CAN_MSG_CTRL+1 + (Msg*0x20), 0xFB);
/*Assign Msg obj Node, ID, no bytes*/
QSPI_SendByte(CAN_MSG_CONFIG + (Msg*0x20), (uint8)(NoBytes<<4|Node|ID|TxRx));
/*Set Msg obj ID*/
if (ID == Stand)
    IDnum = IDnum << 18;
QSPI_SendByte(CAN_MSG_ARB + (Msg*0x20), (uint8)(IDnum));
QSPI_SendByte(CAN_MSG_ARB+1 + (Msg*0x20), (uint8)(IDnum>>8));
QSPI_SendByte(CAN_MSG_ARB+2 + (Msg*0x20), (uint8)(IDnum>>16));
QSPI_SendByte(CAN_MSG_ARB+3 + (Msg*0x20), (uint8)(IDnum>>24));
}
```

CAN_MsgObj_TxData loads the message data register with data to be transmitted. Each message object has two 32-bit data registers which may be loaded with up to 8 bytes of data for transmission or may store up to 8 bytes of data when configured as a receive object.

```
void CAN_MsgObj_TxData(uint8 Msg, uint8 NoBytes, uint32 data1, uint32 data2)
{
    uint16 n;

    /*Split data into bytes and load into the 2x32 bit data register*/
    for (n=0; n < NoBytes; n++)
    {
        if ((NoBytes>4)&&(n>=4))
            QSPI_SendByte(CAN_MSG_DAT + n + (Msg*0x20), (uint8)(data2>>(n-4)*8));
        else
            QSPI_SendByte(CAN_MSG_DAT + n + (Msg*0x20), (uint8)(data1>>n*8));
    }
}
```

Freescale Semiconductor, Inc.

CAN Transmit and Receive

CAN_MsgObj_IntEnable enables a message object to generate an interrupt on successful transmission or reception of data. It selects the interrupt node pointer to be used which can then be routed to the external interrupt request signals, $\overline{\text{OUT1}}$ or $\overline{\text{OUT0}}$, using the 82C900 global control register.

```
void CAN_MsgObj_IntEnable(uint8 Msg, uint8 TxRx, uint8 IntNode)
{
    if (TxRx == Rx)
    {
        /*Set msg obj receive interrupt node pointer*/
        QSPI_SendByte(CAN_MSG_CONFIG+2 + (Msg*0x20), IntNode);
        /*Msg obj Rx interrupt enable*/
        QSPI_SendByte(CAN_MSG_CTRL + (Msg*0x20), 0xFB);
    }
    else
    {
        /*Set msg obj transmit interrupt node pointer*/
        QSPI_SendByte(CAN_MSG_CONFIG+2 + (Msg*0x20), (uint8)(IntNode<<4));
        /*Msg obj Tx interrupt enable*/
        QSPI_SendByte(CAN_MSG_CTRL + (Msg*0x20), 0xEF);
    }
}
```

CAN_MsgObjRx_Enable enables a receive message object to receive data on the CAN bus.

```
void CAN_MsgObjRx_Enable(uint8 Msg)
{
    /*Msg obj valid */
    QSPI_SendByte(CAN_MSG_CTRL + (Msg*0x20), 0xBF);
}
```

CAN_MsgObjTx_Start sets up a message object to begin transmission. In addition to validating the message object (as for receive above), the new data flag must be set, the CPU update flag must signal completion, and the transmit request flag must be set.

```
void CAN_MsgObjTx_Start(uint8 Msg)
{
    /*Msg obj CPU update complete, can Tx msg automatically*/
    QSPI_SendByte(CAN_MSG_CTRL+1 + (Msg*0x20), 0xF7);
    /*Msg obj has new data*/
    QSPI_SendByte(CAN_MSG_CTRL+1 + (Msg*0x20), 0xFE);
    /*Msg obj valid*/
    QSPI_SendByte(CAN_MSG_CTRL + (Msg*0x20), 0xBF);
    /*Msg obj Tx request flag set*/
    QSPI_SendByte(CAN_MSG_CTRL+1 + (Msg*0x20), 0xEF);
}
```

Revision History

CAN_MsgObjTx_Reset resets a message object after transmission and must be called anytime transmit data is to be updated.

```
void CAN_MsgObjTx_Reset(uint8 Msg)
{
/*Msg obj tagged invalid to allow update*/
  QSPI_SendByte(CAN_MSG_CTRL + (Msg*0x20), 0x7F);
/*Msg obj no new data*/
  QSPI_SendByte(CAN_MSG_CTRL+1 + (Msg*0x20), 0xFD);
/*Msg obj 0 CPU Update, Tx inhibited*/
  QSPI_SendByte(CAN_MSG_CTRL+1 + (Msg*0x20), 0xFB);
}
```

CAN_MsgObj_IntReset resets a message object interrupt.

```
void CAN_MsgObj_IntReset(uint8 Msg)
{
/*Reset a interrupt pending flag*/
  QSPI_SendByte(CAN_MSG_CTRL + (Msg*0x20), 0xFD);
}
```

4.0 Summary

This application note has detailed the hardware design and software development of the MCF5272 CAN reference design, a ColdFire CAN solution that provides a migration path to the first ColdFire product with on-chip CAN and the first 32-bit microprocessor with both on-chip CAN and on-chip Ethernet. Design schematics, application example software, and additional reference material can be downloaded from the M5272C3 CAN webpage.

4.1 Revision History

Table 3 describes the revision history of this document.

Table 3. Revision History

Revision Level	Description
0	Original.
0.1	Updated Motorola URLs and minor changes in language.

Freescale Semiconductor, Inc.

HOW TO REACH US:

USA/EUROPE/LOCATIONS NOT LISTED:

Motorola Literature Distribution
P.O. Box 5405, Denver, Colorado 80217
1-303-675-2140 or 1-800-441-2447

JAPAN:

Motorola Japan Ltd.
SPS, Technical Information Center
3-20-1, Minami-Azabu Minato-ku
Tokyo 106-8573 Japan
81-3-3440-3569

ASIA/PACIFIC:

Motorola Semiconductors H.K. Ltd.
Silicon Harbour Centre, 2 Dai King Street
Tai Po Industrial Estate, Tai Po, N.T., Hong Kong
852-26668334

TECHNICAL INFORMATION CENTER:

1-800-521-6274

HOME PAGE:

<http://www.motorola.com/semiconductors>

Information in this document is provided solely to enable system and software implementers to use Motorola products. There are no express or implied copyright licenses granted hereunder to design or fabricate any integrated circuits or integrated circuits based on the information in this document.

Motorola reserves the right to make changes without further notice to any products herein.

Motorola makes no warranty, representation or guarantee regarding the suitability of its products for any particular purpose, nor does Motorola assume any liability arising out of the application or use of any product or circuit, and specifically disclaims any and all liability, including without limitation consequential or incidental damages. "Typical" parameters which may be provided in Motorola data sheets and/or specifications can and do vary in different applications and actual performance may vary over time. All operating parameters, including "Typicals" must be validated for each customer application by customer's technical experts. Motorola does not convey any license under its patent rights nor the rights of others. Motorola products are not designed, intended, or authorized for use as components in systems intended for surgical implant into the body, or other applications intended to support or sustain life, or for any other application in which the failure of the Motorola product could create a situation where personal injury or death may occur. Should Buyer purchase or use Motorola products for any such unintended or unauthorized application, Buyer shall indemnify and hold Motorola and its officers, employees, subsidiaries, affiliates, and distributors harmless against all claims, costs, damages, and expenses, and reasonable attorney fees arising out of, directly or indirectly, any claim of personal injury or death associated with such unintended or unauthorized use, even if such claim alleges that Motorola was negligent regarding the design or manufacture of the part.



Motorola and the Stylized M Logo are registered in the U.S. Patent and Trademark Office. digital dna is a trademark of Motorola, Inc. All other product or service names are the property of their respective owners. Motorola, Inc. is an Equal Opportunity/Affirmative Action Employer.

© Motorola, Inc. 2002

AN2320/D

**For More Information On This Product,
Go to: www.freescale.com**