

COFDM demodulators IC for terrestrial TV set-top box

DATA BRIEF

DESCRIPTION

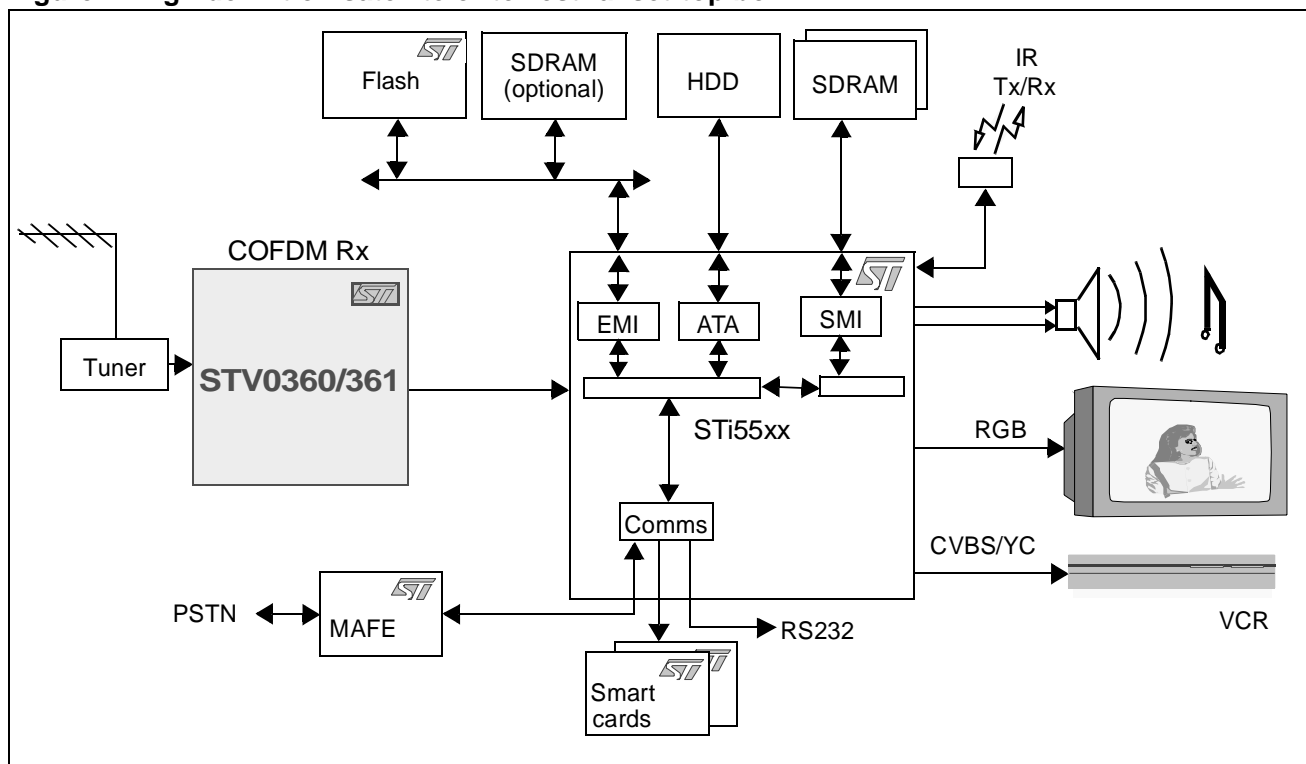
STMicroelectronics complements the world leading range of MPEG-2 decoders with a range of COFDM demodulators for digital terrestrial applications.

The STV0360 and STV0361 demodulators are high performance COFDM (Coded Orthogonal Frequency Division Multiplex) demodulators with built in A/D converters. They perform all the demodulation functions to extract the MPEG-2 transport stream from the tuner input.

Figure 1. Package/ 64-pin TQFP



Figure 2. High definition satellite or terrestrial set-top box



FEATURES

- DVB-T (ETS 300 744), NORDIG II and NORDIG Unified 1.0.1 compliant¹
- Inputs for direct IF, eliminating the need for a down-converter in the tuner
- Adaptative channel correction in both time and frequency, providing excellent performance, event in the presence of noise or significant Doppler shift.
- Dual Automatic Gain Controller (AGC) to seamlessly interface with all tuners characteristics
- Support for 2K/8K carrier detection modes
- PGA (Programmable Gain Amplifier) increasing flexibility to enhance tuner power matching
- Additional A/D converter to directly monitor the input level of the new generation of tuners
- Small 64-pin TQFP package.

1. STV0361 only

PART NUMBERING**Table 1. Order Codes**

Part Number	Description
STV0360	Single chip COFDM demodulator
STV0360-Eval	STV0360 evaluation board
STV0361	Single chip COFDM demodulator
STV0361-Eval	STV0361 evaluation board

REVISION HISTORY**Table 2. Revision History**

Date	Revision	Description of Changes
October-2004	1	First issue

Information furnished is believed to be accurate and reliable. However, STMicroelectronics assumes no responsibility for the consequences of use of such information nor for any infringement of patents or other rights of third parties which may result from its use. No license is granted by implication or otherwise under any patent or patent rights of STMicroelectronics. Specifications mentioned in this publication are subject to change without notice. This publication supersedes and replaces all information previously supplied. STMicroelectronics products are not authorized for use as critical components in life support devices or systems without express written approval of STMicroelectronics.

The ST logo is a registered trademark of STMicroelectronics.

All other names are the property of their respective owners

© 2004 STMicroelectronics - All rights reserved

STMicroelectronics group of companies

Australia - Belgium - Brazil - Canada - China - Czech Republic - Finland - France - Germany - Hong Kong - India - Israel - Italy - Japan - Malaysia - Malta - Morocco - Singapore - Spain - Sweden - Switzerland - United Kingdom - United States of America

www.st.com