

## Descriptions

- General small signal amplifier
- Switching application

## Features

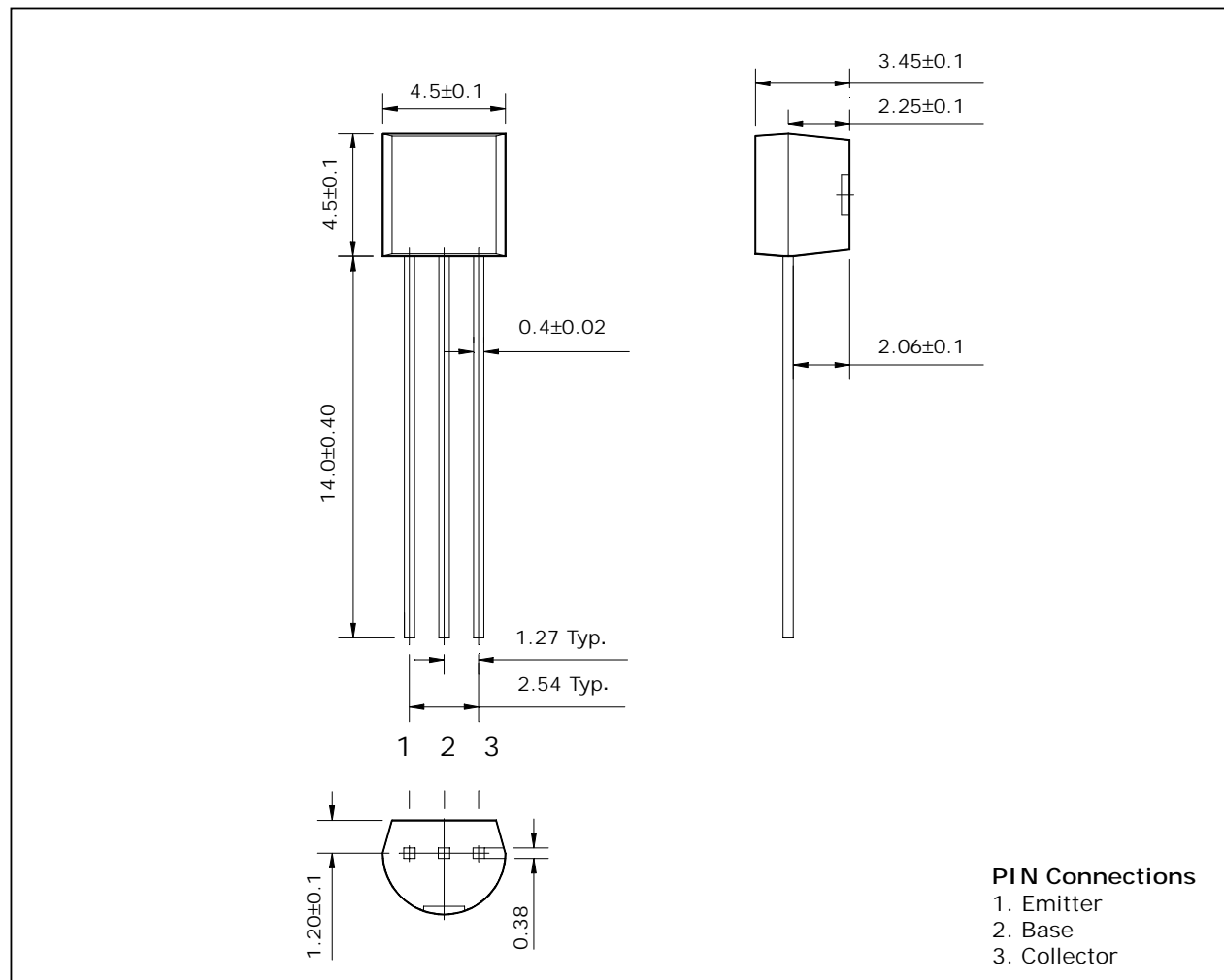
- Low collector saturation voltage
- Collector output capacitance
- Complementary pair with STN3906

## Ordering Information

Type NO.	Marking	Package Code
STN3904	STN3904	TO-92

## Outline Dimensions

unit : mm



## Absolute maximum ratings

(Ta=25°C)

Characteristic	Symbol	Ratings	Unit
Collector-Base voltage	$V_{CBO}$	60	V
Collector-Emitter voltage	$V_{CEO}$	40	V
Emitter-Base voltage	$V_{EBO}$	6	V
Collector current	$I_C$	100	mA
Collector dissipation	$P_C$	625	mW
Junction temperature	$T_j$	150	°C
Storage temperature	$T_{stg}$	-55 ~ 150	°C

## Electrical Characteristics

(Ta=25°C)

Characteristic	Symbol	Test Condition	Min.	Typ.	Max.	Unit
Collector-Base breakdown voltage	$BV_{CBO}$	$I_C=10\mu A, I_E=0$	60	-	-	V
Collector-Emitter breakdown voltage	$BV_{CEO}$	$I_C=1mA, I_B=0$	40	-	-	V
Emitter-Base breakdown voltage	$BV_{EBO}$	$I_E=10\mu A, I_C=0$	6	-	-	V
Collector cut-off current	$I_{CBO}$	$V_{CB}=60V, I_E=0$	-	-	0.1	$\mu A$
DC current gain	$h_{FE}$	$V_{CE}=1V, I_C=10mA$	100	-	300	-
Collector-Emitter saturation voltage	$V_{CE(sat)}$	$I_C=50mA, I_B=5mA$	-	-	0.4	V
Transition frequency	$f_T$	$V_{CE}=20V, I_C=10mA$	300	-	-	MHz
Collector output capacitance	$C_{ob}$	$V_{CE}=5V, I_E=0, f=1MHz$	-	-	4	pF

Electrical Characteristic Curves

Fig. 1  $P_C$ - $T_a$

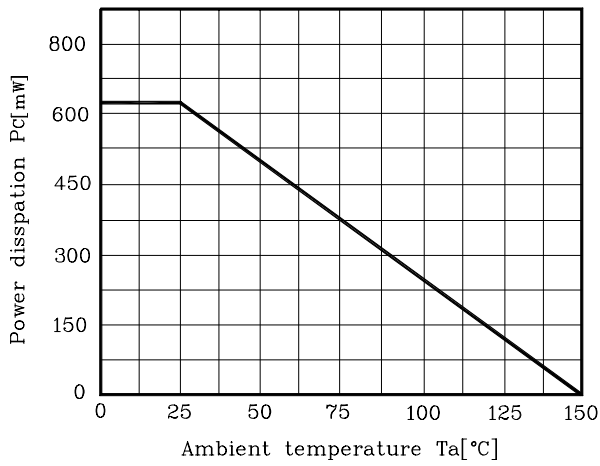


Fig. 2  $I_C$  -  $V_{BE}$

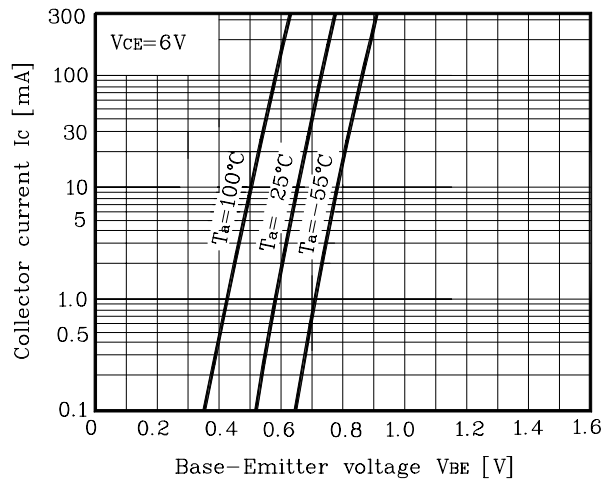


Fig. 3  $I_C$  -  $V_{CE}$

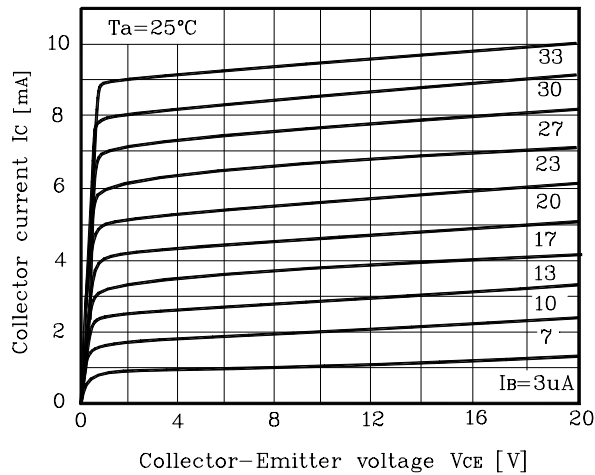


Fig. 4  $h_{FE}$  -  $I_C$

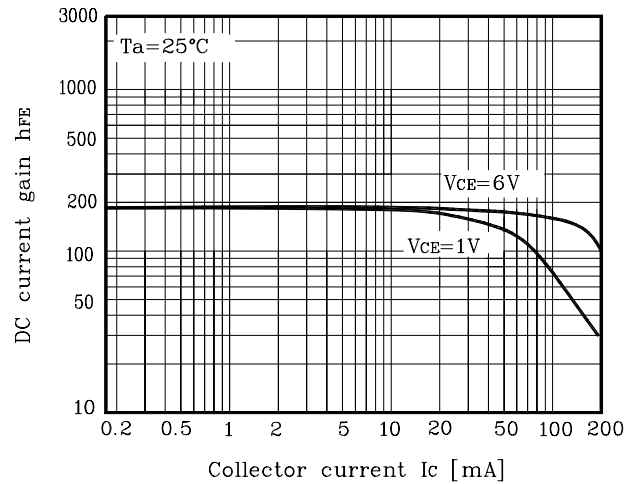


Fig. 5  $V_{CE(sat)}$  -  $I_C$

