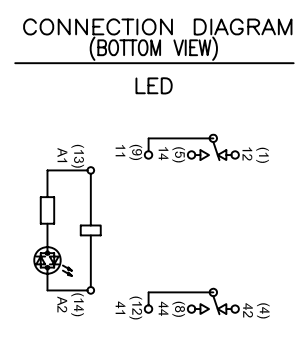
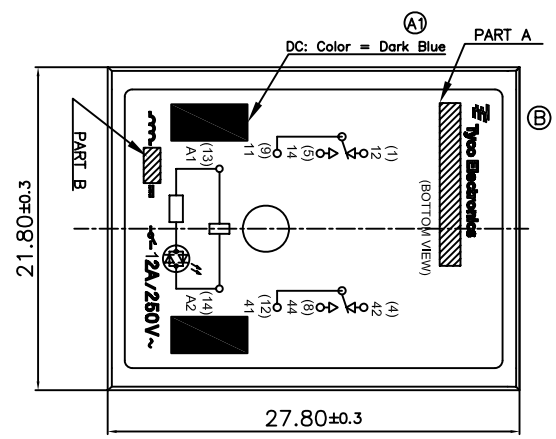
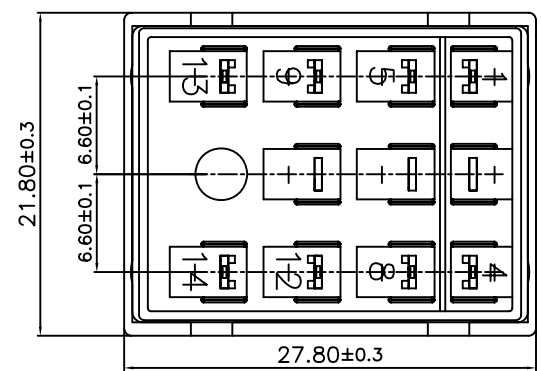
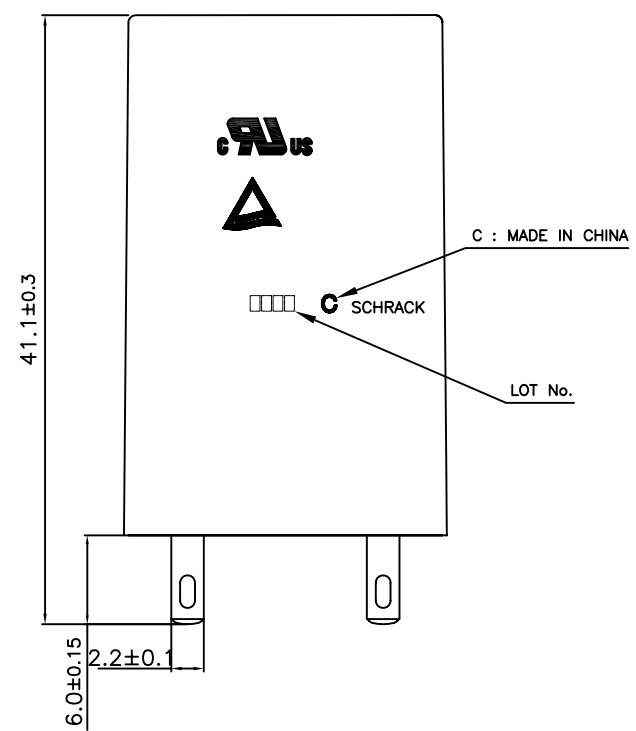
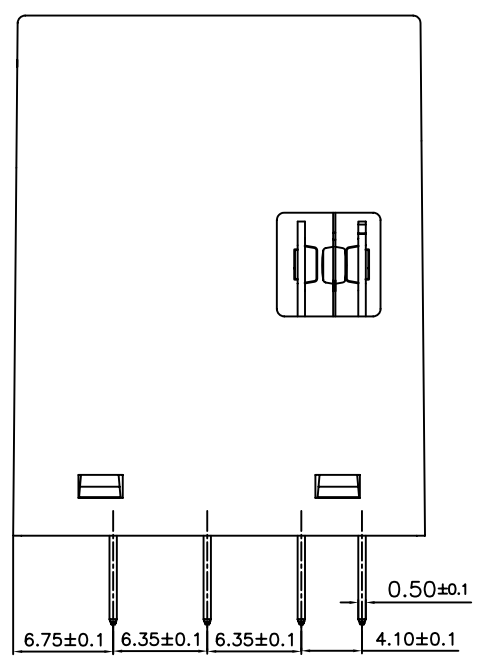


THIS DRAWING IS UNPUBLISHED. RELEASED FOR PUBLICATION
 © COPYRIGHT BY TYCO ELECTRONICS CORPORATION. ALL RIGHTS RESERVED.

LOC	HB	DIST	REVISIONS						
			P	LTR	DESCRIPTION	ECO	DATE	DWN	APVD
				A1	CHANGE MARKING COLOR	ECO-06-003552	22-MAY-06	W.QH	C.H.HSU
				B	CHANGE TE LOGO	ECO-08-021765	09-SEP-08	SZ,Z	BH,Y



PART NO.	EC	TYPE	NAME	PART B	PART A	ITEM
1721224-7	PT22AN20B	220V	PT22AN20B	g		
1721224-6	PT22AM10B	110V	PT22AM10B	f		
1721224-5	PT22AL60B	60V	PT22AL60B	e		
1721224-4	PT22AL48B	48V	PT22AL48B	d		
1721224-3	PT22AL24B	24V	PT22AL24B	c		
1721224-2	PT22AL12B	12V	PT22AL12B	b		
1721224-1	PT22AL06B	6V	PT22AL06B	a		



DIMENSION TOLERANCE	
MAX. 1mm	±0.1
1mm-MAX. 3mm	±0.2
MIN. 3mm	±0.3

RELAY TYPE

MATERIAL	DESCRIPTION	ITEM	
PCB FR4	LED UNIT	15	
Cu ALLOY	MOVABLE TERMINAL	14	
Cu ALLOY	MOVABLE SPRING	13	
AgNi 90/10	M/B CONTACT	12	
AgNi 90/10	MOVABLE CONTACT	11	
Cu ALLOY	M/B-TERMINAL	10	
PBT	CARD	9	
PBT	CASE(COVER)	8	
PBT	BASE	7	
3UEW	WIRE	6	
Cu/Ni PLATED	STEEL	CORE&YOKE	5
Cu/Ni PLATED	STEEL	ARMATURE	4
Cu ALLOY	HINGE	3	
PBT	BOBBIN	2	
Cu ALLOY	COIL TERMINAL	1	

THIS DRAWING IS A CONTROLLED DOCUMENT FOR TYCO ELECTRONICS CORPORATION IT IS SUBJECT TO CHANGE AND THE CONTROLLING ENGINEERING ORGANIZATION SHOULD BE CONTACTED FOR THE LATEST REVISION.

DWN	ZX,Fu	Tyco Electronics Corporation ShenZhen, China	
CHK	N.Funayama		
APVD	C.H.HSU		
PRODUCT SPEC			
APPLICATION SPEC		PTH DC-2P PLUG_IN WITH LED TYPE CUSTOMER DRAWING	
WEIGHT			
MATERIAL	SEE MATERIAL TABLE	FINISH	

SIZE	GAGE CODE	DRAWING NO	RESTRIC TO
A3	00779	1721224	

CUSTOMER DRAWING SCALE 2:1 SHEET 1 OF 1 REV B