

# Photo Diode

## MTD3010PM

### Applications -

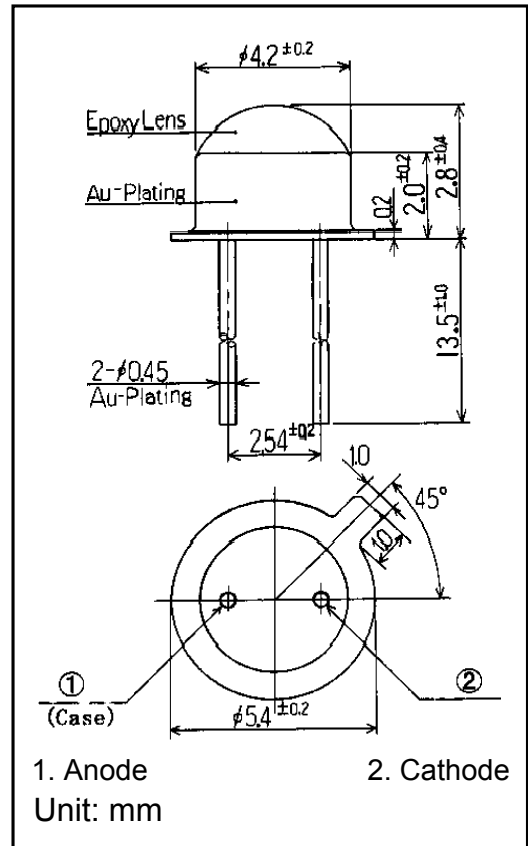
- Edge Sensing
- Smoke Detectors
- Fiber Optics
- Optical Switch

### Features -

- High Reliability in Demanding Environments (Metal Can Package)
- Wide Angular Response

### MAXIMUM RATINGS (Ta = 25°C)

| CHARACTERISTIC        | SYMBOL    | RATING  | UNIT |
|-----------------------|-----------|---------|------|
| Reverse Voltage       | $V_R$     | 30      | V    |
| Power Dissipation     | $P_D$     | 100     | mW   |
| Operating Temperature | $T_{opr}$ | -30~85  | °C   |
| Storage Temperature   | $T_{stg}$ | -30~100 | °C   |
| Junction Temperature  | $T_j$     | 100     | °C   |



### OPTO-ELECTRICAL CHARACTERISTICS (Ta = 25°C)

| CHARACTERISTIC              | SYMBOL      | TEST CONDITION        | MIN. | TYP.     | MAX. | UNIT |
|-----------------------------|-------------|-----------------------|------|----------|------|------|
| Open Circuit Voltage        | $V_{oc}$    | L = 100Lux            | —    | .36      | —    | V    |
| Short Circuit Current       | $I_{sc}$    | VR = 10V, L = 1000Lux | —    | 30       | —    | μA   |
| Dark Current                | $I_D$       | VR = 10V              | —    | —        | 10   | nA   |
| Spectral Sensitivity        | $\lambda$   | —                     | —    | 400~1100 | —    | nm   |
| Spectral Sensitivity        | $\lambda$   | Using Filter          | —    | 800~1100 | —    | nm   |
| Peak Sensitivity Wavelength | $\lambda_p$ | —                     | —    | 950      | —    | nm   |
| Half Intensity Beam Angle   | $\theta$    | —                     | —    | ±60      | —    | deg  |
| Junction Capacitance        | $C_j$       | at 1 MHz, V = 0V      | —    | 10       | —    | pF   |



120 Broadway • Menands, New York 12204

Toll Free: (800) 98-4LEDS • Fax: (518) 432-7454

For up-to-date product info visit our web site at [www.marktechopto.com](http://www.marktechopto.com)

All specifications subject to change.

# Photo Diode

## MTD3010PM Graphs -

