

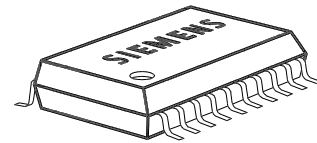
Smart Two Channel Highside Power Switch

Product Summary

Overvoltage Protection	$V_{bb(AZ)}$	43	V
Operating voltage	$V_{bb(on)}$	5.0 ... 24	V
active channels:		one	two parallel
On-state resistance	R_{ON}	60	30
Nominal load current	$I_{L(NOM)}$	4.0	6.0
Current limitation	$I_{L(SCr)}$	17	17
			mΩ
			A
			A

Features

- Overload protection
- Current limitation
- Short-circuit protection
- Thermal shutdown
- Overvoltage protection (including load dump)
- Reverse battery protection¹⁾
- Undervoltage and overvoltage shutdown with auto-restart and hysteresis
- Open drain diagnostic output
- Open load detection in ON-state
- CMOS compatible input
- Loss of ground and loss of V_{bb} protection
- Electrostatic discharge (ESD) protection



Application

- μ C compatible power switch with diagnostic feedback for 12 V DC grounded loads
- Most suitable for resistive and lamp loads
- Replaces electromechanical relays and discrete circuits

General Description

N channel vertical power FET with charge pump, ground referenced CMOS compatible input and diagnostic feedback, monolithically integrated in Smart SIPMOS[®] technology. Fully protected by embedded protection functions.

Pin Definitions and Functions

Pin	Symbol	Function
1,10, 11,12, 15,16, 19,20	V_{bb}	Positive power supply voltage. Design the wiring for the simultaneous max. short circuit currents from channel 1 to 2 and also for low thermal resistance
3	IN1	Input 1,2, activates channel 1,2 in case of logic high signal
7	IN2	
17,18	OUT1	Output 1,2, protected high-side power output of channel 1,2. Design the wiring for the max. short circuit current
13,14	OUT2	
4	ST1	Diagnostic feedback 1,2 of channel 1,2, open drain, low on failure
8	ST2	
2	GND1	Ground 1 of chip 1 (channel 1)
6	GND2	Ground 2 of chip 2 (channel 2)
5,9	N.C.	Not Connected

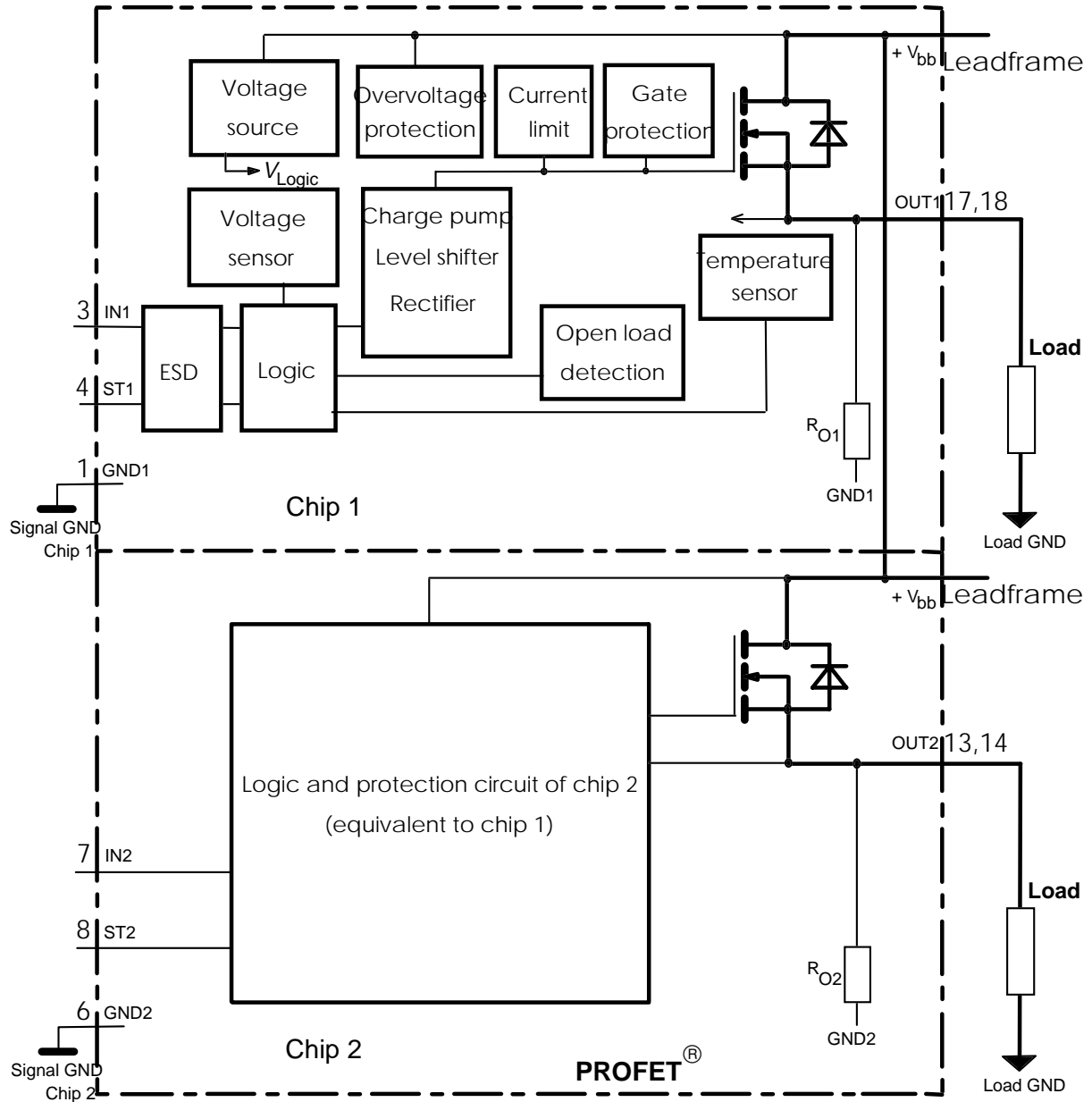
Pin configuration (top view)

V_{bb}	1	20	V_{bb}
GND1	2	19	V_{bb}
IN1	3	18	OUT1
ST1	4	17	OUT1
N.C.	5	16	V_{bb}
GND2	6	15	V_{bb}
IN2	7	14	OUT2
ST2	8	13	OUT2
N.C.	9	12	V_{bb}
V_{bb}	10	11	V_{bb}

1) With external current limit (e.g. resistor $R_{GND}=150 \Omega$) in GND connection, resistor in series with ST connection, reverse load current limited by connected load.

Block diagram

Two Channels; Open Load detection in on state;



Leadframe connected to pin 1, 10, 11, 12, 15, 16, 19, 20

Maximum Ratings at $T_j = 25^\circ\text{C}$ unless otherwise specified

Parameter	Symbol	Values	Unit
Supply voltage (overvoltage protection see page 4)	V_{bb}	43	V
Supply voltage for full short circuit protection $T_{j,start} = -40 \dots +150^\circ\text{C}$	V_{bb}	24	V

Maximum Ratings at $T_j = 25^\circ\text{C}$ unless otherwise specified

Parameter	Symbol	Values	Unit
Load current (Short-circuit current, see page 5)	I_L	self-limited	A
Load dump protection ²⁾ $V_{\text{LoadDump}} = U_A + V_S$, $U_A = 13.5\text{ V}$ $R_i^{3)} = 2\ \Omega$, $t_d = 200\text{ ms}$; IN = low or high, each channel loaded with $R_L = 3.4\ \Omega$,	$V_{\text{LoadDump}}^{4)}$	60	V
Operating temperature range	T_j	-40 ... +150	$^\circ\text{C}$
Storage temperature range	T_{stg}	-55 ... +150	
Power dissipation (DC) ⁵⁾ (all channels active)	$T_a = 25^\circ\text{C}$: $T_a = 85^\circ\text{C}$:	P_{tot} 3.7 1.9	W
Electrostatic discharge capability (ESD) (Human Body Model)	V_{ESD}	1.0	kV
Input voltage (DC)	V_{IN}	-10 ... +16	V
Current through input pin (DC)	I_{IN}	± 2.0	mA
Current through status pin (DC) see internal circuit diagram page 8	I_{ST}	± 5.0	
Thermal resistance junction - soldering point ^{5),6)} junction - ambient ⁵⁾	each channel: one channel active: all channels active:	R_{thjs} R_{thja} 12 41 34	K/W

Electrical Characteristics

Parameter and Conditions, each of the two channels at $T_j = 25^\circ\text{C}$, $V_{\text{bb}} = 12\text{ V}$ unless otherwise specified	Symbol	Values			Unit
		min	typ	max	

Load Switching Capabilities and Characteristics

On-state resistance (V_{bb} to OUT) $I_L = 2\text{ A}$ each channel, $T_j = 25^\circ\text{C}$: $T_j = 150^\circ\text{C}$:	R_{ON}	--	50	60	m Ω
			100	120	
two parallel channels, $T_j = 25^\circ\text{C}$:			25	30	

2) Supply voltages higher than $V_{\text{bb(AZ)}}$ require an external current limit for the GND and status pins, e.g. with a $150\ \Omega$ resistor in the GND connection and a $15\text{ k}\Omega$ resistor in series with the status pin. A resistor for input protection is integrated.

3) R_i = internal resistance of the load dump test pulse generator

4) $V_{\text{Load dump}}$ is setup without the DUT connected to the generator per ISO 7637-1 and DIN 40839

5) Device on $50\text{mm} \times 50\text{mm} \times 1.5\text{mm}$ epoxy PCB FR4 with 6cm^2 (one layer, $70\ \mu\text{m}$ thick) copper area for V_{bb} connection. PCB is vertical without blown air. See page 14

6) Soldering point: upper side of solder edge of device pin 15. See page 14

Parameter and Conditions, each of the two channels at $T_j = 25^\circ\text{C}$, $V_{bb} = 12\text{V}$ unless otherwise specified	Symbol	Values			Unit
		min	typ	max	
Nominal load current one channel active: two parallel channels active: Device on PCB ⁵⁾ , $T_a = 85^\circ\text{C}$, $T_j \leq 150^\circ\text{C}$	$I_{L(\text{NOM})}$	3.6 5.5	4.0 6.0	--	A
Output current while GND disconnected or pulled up; $V_{bb} = 30\text{V}$, $V_{IN} = 0$, see diagram page 9	$I_{L(\text{GNDhigh})}$	--	--	10	mA
Turn-on time to 90% V_{OUT} :	t_{on}	80	200	400	μs
Turn-off time to 10% V_{OUT} :	t_{off}	80	230	450	μs
$R_L = 12\ \Omega$, $T_j = -40\dots+150^\circ\text{C}$					
Slew rate on 10 to 30% V_{OUT} , $R_L = 12\ \Omega$, $T_j = -40\dots+150^\circ\text{C}$:	dV/dt_{on}	0.1	--	1	$\text{V}/\mu\text{s}$
Slew rate off 70 to 40% V_{OUT} , $R_L = 12\ \Omega$, $T_j = -40\dots+150^\circ\text{C}$:	$-dV/dt_{\text{off}}$	0.1	--	1	$\text{V}/\mu\text{s}$

Operating Parameters

Operating voltage ⁷⁾ $T_j = -40\dots+150^\circ\text{C}$:	$V_{bb(\text{on})}$	5.0	--	24	V
Undervoltage shutdown $T_j = -40\dots+150^\circ\text{C}$:	$V_{bb(\text{under})}$	3.5	--	5.0	V
Undervoltage restart $T_j = -40\dots+150^\circ\text{C}$:	$V_{bb(\text{u rst})}$	--	--	5.0	V
Undervoltage restart of charge pump see diagram page 13 $T_j = -40\dots+150^\circ\text{C}$:	$V_{bb(\text{ucp})}$	--	5.6	7.0	V
Undervoltage hysteresis $\Delta V_{bb(\text{under})} = V_{bb(\text{u rst})} - V_{bb(\text{under})}$	$\Delta V_{bb(\text{under})}$	--	0.2	--	V
Overvoltage shutdown $T_j = -40\dots+150^\circ\text{C}$:	$V_{bb(\text{over})}$	24	--	34	V
Overvoltage restart $T_j = -40\dots+150^\circ\text{C}$:	$V_{bb(\text{o rst})}$	23	--	--	V
Overvoltage hysteresis $T_j = -40\dots+150^\circ\text{C}$:	$\Delta V_{bb(\text{over})}$	--	0.5	--	V
Overvoltage protection ⁸⁾ $T_j = -40\dots+150^\circ\text{C}$: $I_{bb} = 40\text{mA}$	$V_{bb(\text{AZ})}$	42	47	--	V
Standby current, all channels off $T_j = 25^\circ\text{C}$: $V_{IN} = 0$ $T_j = 150^\circ\text{C}$:	$I_{bb(\text{off})}$	--	20 29	50 56	μA
Leakage output current (included in $I_{bb(\text{off})}$) $V_{IN} = 0$	$I_{L(\text{off})}$	--	--	12	μA
Operating current ⁹⁾ , $V_{IN} = 5\text{V}$, $T_j = -40\dots+150^\circ\text{C}$ $I_{\text{GND}} = I_{\text{GND1}} + I_{\text{GND2}}$, one channel on: two channels on:	I_{GND}	-- --	1.8 3.6	3.5 7	mA

7) At supply voltage increase up to $V_{bb} = 5.6\text{V}$ typ without charge pump, $V_{\text{OUT}} \approx V_{bb} - 2\text{V}$

8) see also $V_{\text{ON}(\text{CL})}$ in circuit diagram on page 8.

9) Add I_{ST} , if $I_{\text{ST}} > 0$

Parameter and Conditions, each of the two channels at $T_j = 25^\circ\text{C}$, $V_{bb} = 12\text{V}$ unless otherwise specified	Symbol	Values			Unit
		min	typ	max	

Protection Functions

Initial peak short circuit current limit, (see timing diagrams, page 11) each channel, $T_j = -40^\circ\text{C}$: $T_j = 25^\circ\text{C}$: $T_j = +150^\circ\text{C}$: two parallel channels	$I_{L(SCp)}$	27 20 12	37 30 18	47 40 25	A
		twice the current of one channel			
Repetitive short circuit current limit, $T_j = T_{jt}$ each channel two parallel channels (see timing diagrams, page 11)	$I_{L(SCr)}$	-- --	17 17	-- --	A
Initial short circuit shutdown time $T_{j,start} = -40^\circ\text{C}$: $T_{j,start} = 25^\circ\text{C}$: (see page 10 and timing diagrams on page 11)	$t_{off(SC)}$	-- --	5 4	-- --	ms
Thermal overload trip temperature	T_{jt}	150	--	--	$^\circ\text{C}$
Thermal hysteresis	ΔT_{jt}	--	10	--	K

Reverse Battery

Reverse battery voltage ¹⁰⁾	$-V_{bb}$	--	--	32	V
Drain-source diode voltage ($V_{out} > V_{bb}$) $I_L = -4.0\text{A}$, $T_j = +150^\circ\text{C}$	$-V_{ON}$	--	610	--	mV

Diagnostic Characteristics

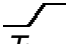
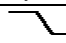
Open load detection current, (on-condition) each channel, $T_j = -40^\circ\text{C}$: $T_j = 25^\circ\text{C}$: $T_j = +150^\circ\text{C}$: two parallel channels	$I_{L(OL)}$	10 10 10	-- -- --	800 600 600	mA
		twice the current of one channel			
Open load detection voltage ¹¹⁾ $T_j = -40..+150^\circ\text{C}$:	$V_{OUT(OL)}$	2	3	4	V
Internal output pull down (OUT to GND), $V_{OUT} = 5\text{V}$ $T_j = -40..+150^\circ\text{C}$:	R_O	4	10	30	k Ω

¹⁰⁾ Requires a $150\ \Omega$ resistor in GND connection. The reverse load current through the intrinsic drain-source diode has to be limited by the connected load. Note that the power dissipation is higher compared to normal operating conditions due to the voltage drop across the intrinsic drain-source diode. The temperature protection is not active during reverse current operation! Input and Status currents have to be limited (see max. ratings page 3 and circuit page 8).

¹¹⁾ External pull up resistor required for open load detection in off state.

Parameter and Conditions, each of the two channels at $T_j = 25^\circ\text{C}$, $V_{bb} = 12\text{ V}$ unless otherwise specified	Symbol	Values			Unit
		min	typ	max	

Input and Status Feedback¹²⁾

Input resistance (see circuit page 8)	$T_j = -40..+150^\circ\text{C}$:	R_i	2.5	3.5	6	$\text{k}\Omega$
Input turn-on threshold voltage	 $T_j = -40..+150^\circ\text{C}$:	$V_{IN(T+)}$	1.7	--	3.5	V
Input turn-off threshold voltage	 $T_j = -40..+150^\circ\text{C}$:	$V_{IN(T-)}$	1.5	--	--	V
Input threshold hysteresis		$\Delta V_{IN(T)}$	--	0.5	--	V
Off state input current $T_j = -40..+150^\circ\text{C}$:	$V_{IN} = 0.4\text{ V}$:	$I_{IN(off)}$	1	--	50	μA
On state input current $T_j = -40..+150^\circ\text{C}$:	$V_{IN} = 5\text{ V}$:	$I_{IN(on)}$	20	50	90	μA
Delay time for status with open load after switch off (see timing diagrams, page 12),	$T_j = -40..+150^\circ\text{C}$:	$t_{d(ST\ OL4)}$	100	520	1000	μs
Status invalid after positive input slope (open load)	$T_j = -40..+150^\circ\text{C}$:	$t_{d(ST)}$	--	250	600	μs
Status output (open drain)						
Zener limit voltage	$T_j = -40..+150^\circ\text{C}$, $I_{ST} = +1.6\text{ mA}$:	$V_{ST(high)}$	5.4	6.1	--	V
ST low voltage	$T_j = -40..+25^\circ\text{C}$, $I_{ST} = +1.6\text{ mA}$:	$V_{ST(low)}$	--	--	0.4	
	$T_j = +150^\circ\text{C}$, $I_{ST} = +1.6\text{ mA}$:		--	--	0.6	

¹²⁾ If ground resistors R_{GND} are used, add the voltage drop across these resistors.

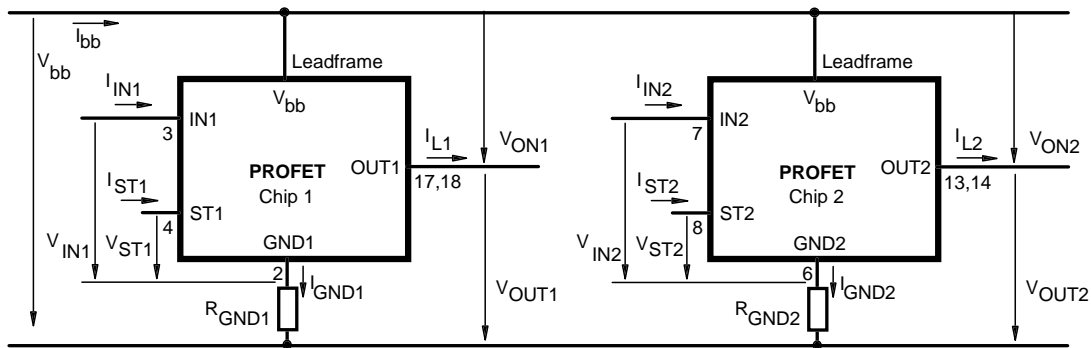
Truth Table

Channel 1	Input 1	Output 1	Status 1
Channel 2	Input 2	Output 2	Status 2
	level	level	BTS 725L1
Normal operation	L	L	H
	H	H	H
Open load	L	Z	H (L ¹³)
	H	H	L
Short circuit to V _{bb}	L	H	L ¹⁴
	H	H	H (L ¹⁵)
Overtemperature	L	L	H
	H	L	L
Under-voltage	L	L	H
	H	L	H
Overvoltage	L	L	H
	H	L	H

L = "Low" Level X = don't care Z = high impedance, potential depends on external circuit
H = "High" Level Status signal valid after the time delay shown in the timing diagrams

Parallel switching of channel 1 and 2 is easily possible by connecting the inputs and outputs in parallel. The status outputs ST1 and ST2 have to be configured as a 'Wired OR' function with a single pull-up resistor.

Terms



Leadframe (V_{bb}) is connected to pin 1,10,11,12,15,16,19,20

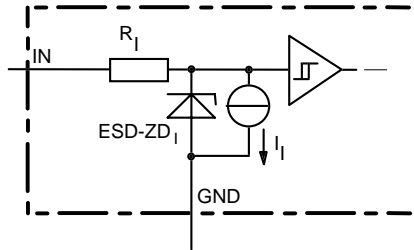
External R_{GND} optional; two resistors R_{GND1} , $R_{GND2} = 150 \Omega$ or a single resistor $R_{GND} = 75 \Omega$ for reverse battery protection up to the max. operating voltage.

13) With external resistor between output and V_{bb}

14) An external short of output to V_{bb} in the off state causes an internal current from output to ground. If R_{GND} is used, an offset voltage at the GND and ST pins will occur and the $V_{ST \text{ low}}$ signal may be erroneous.

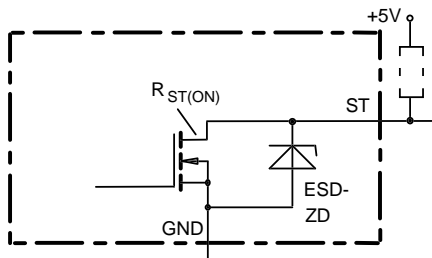
15) Low resistance to V_{bb} may be detected by no-load-detection

Input circuit (ESD protection), IN1 or IN2



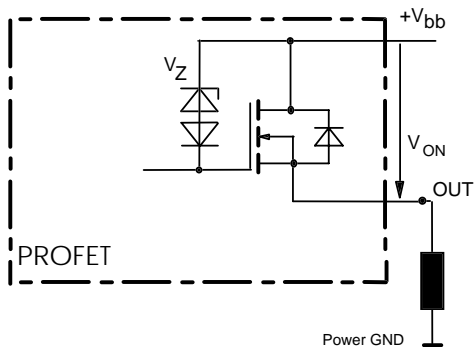
ESD zener diodes are not to be used as voltage clamp at DC conditions. Operation in this mode may result in a drift of the zener voltage (increase of up to 1 V).

Status output, ST1 or ST2



ESD-Zener diode: 6.1 V typ., max 5.0 mA; $R_{ST(ON)} < 380 \Omega$ at 1.6 mA, ESD zener diodes are not to be used as voltage clamp at DC conditions. Operation in this mode may result in a drift of the zener voltage (increase of up to 1 V).

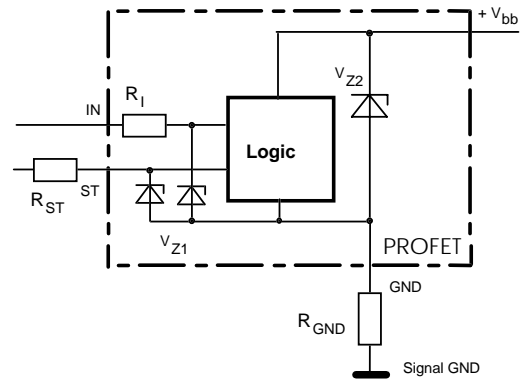
overvoltage output clamp, OUT1 or OUT2



V_{ON} clamped to $V_{ON(CL)} = 47 \text{ V typ.}$

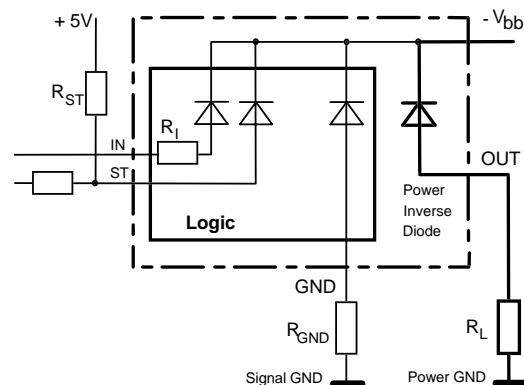
Overvoltage protection of logic part

GND1 or GND2



$V_{Z1} = 6.1 \text{ V typ.}$, $V_{Z2} = 47 \text{ V typ.}$, $R_I = 3.5 \text{ k}\Omega \text{ typ.}$,
 $R_{GND} = 150 \Omega$, $R_{ST} = 15 \text{ k}\Omega \text{ nominal.}$

Reverse battery protection



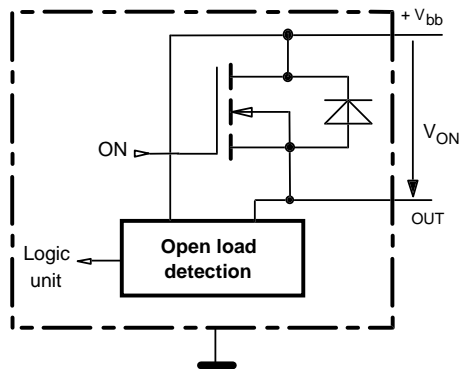
$R_{GND} = 150 \Omega$, $R_I = 3.5 \text{ k}\Omega \text{ typ.}$

Temperature protection is not active during inverse current operation.

Open-load detection, OUT1 or OUT2

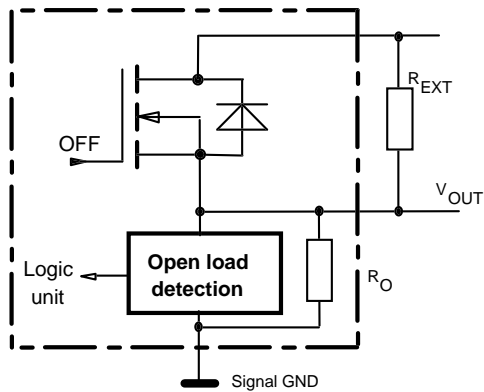
ON-state diagnostic condition:

$$V_{ON} < R_{ON} \cdot I_{L(OL)}; \text{ IN high}$$

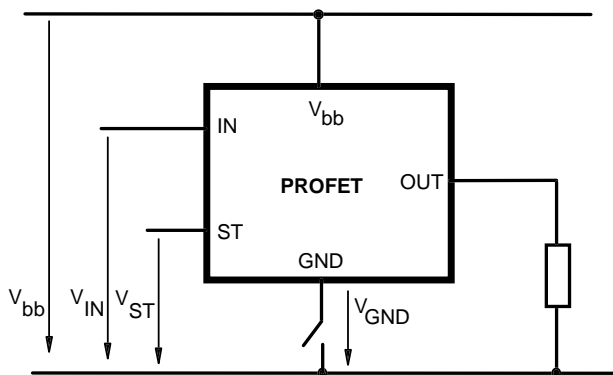


OFF-state diagnostic condition:

$$V_{OUT} > 3 \text{ V typ.}; \text{ IN low}$$

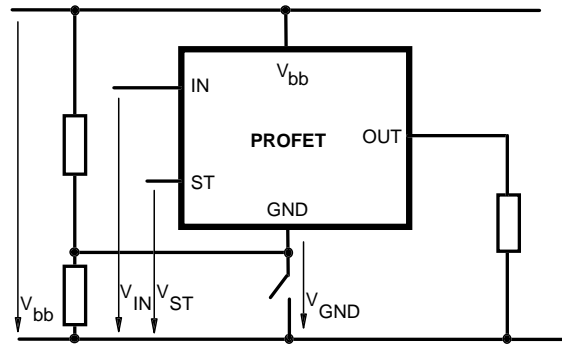


GND disconnect



In case of IN = high is $V_{OUT} \approx V_{IN} - V_{IN(T+)}$. Due to $V_{GND} > 0$, no $V_{ST} = \text{low}$ signal available.

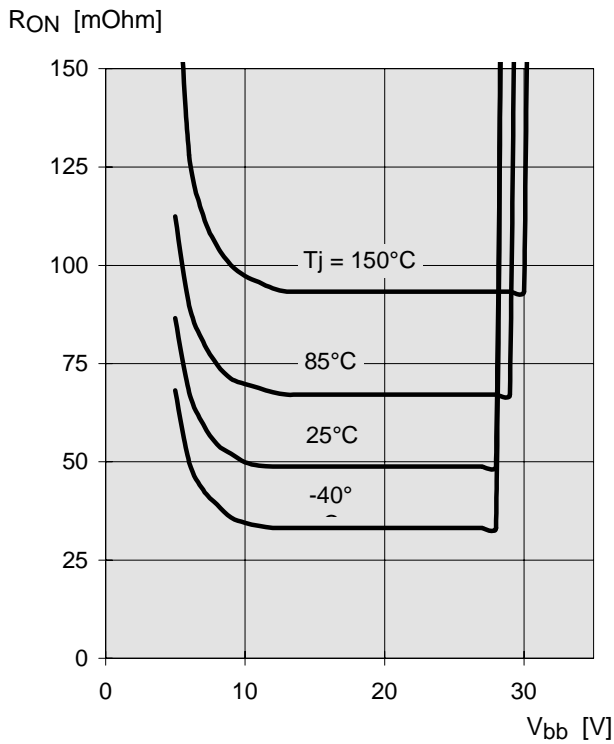
GND disconnect with GND pull up



If $V_{GND} > V_{IN} - V_{IN(T+)}$ device stays off
Due to $V_{GND} > 0$, no $V_{ST} = \text{low}$ signal available.

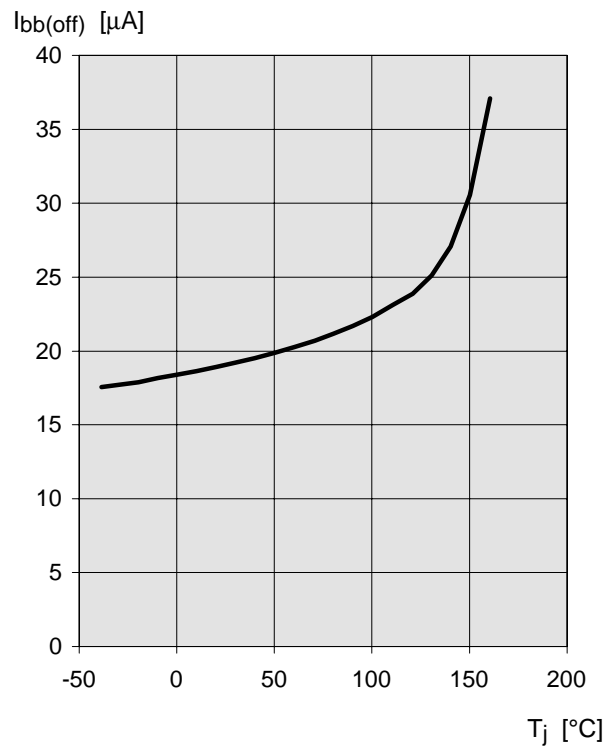
Typ. on-state resistance

$R_{ON} = f(V_{bb}, T_j)$; $I_L = 2\text{ A}$, $I_N = \text{high}$



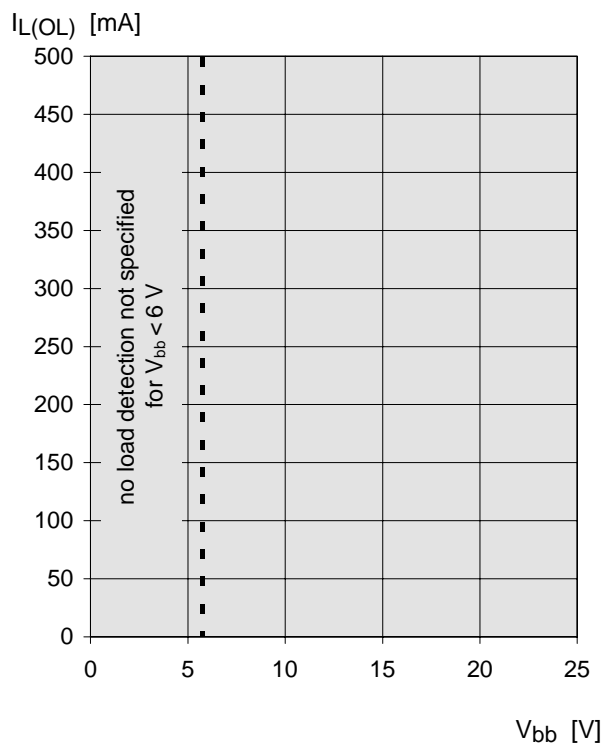
Typ. standby current

$I_{bb(off)} = f(T_j)$; $V_{bb} = 9 \dots 24\text{ V}$, $I_{N1,2} = \text{low}$



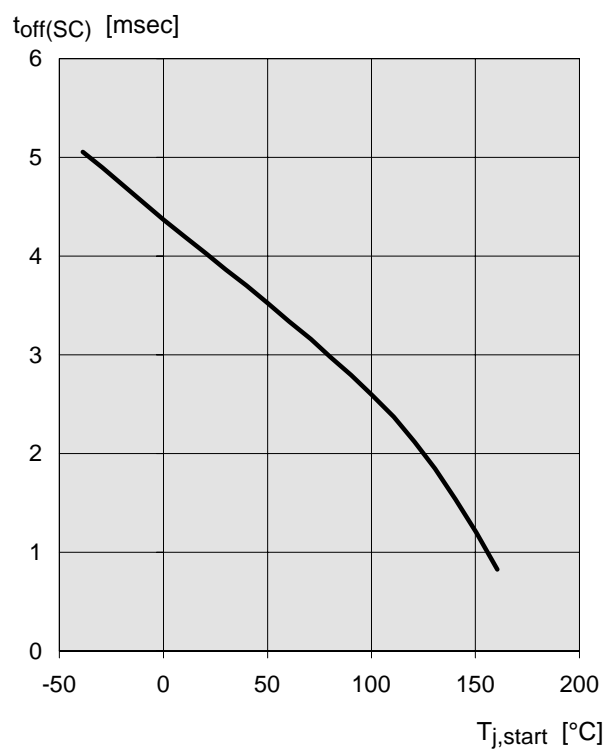
Typ. open load detection current

$I_{L(OL)} = f(V_{bb}, T_j)$; $I_N = \text{high}$



Typ. initial short circuit shutdown time

$t_{off(SC)} = f(T_{j,start})$; $V_{bb} = 12\text{ V}$



Timing diagrams

Both channels are symmetric and consequently the diagrams are valid for channel 1 and channel 2

Figure 1a: V_{bb} turn on:

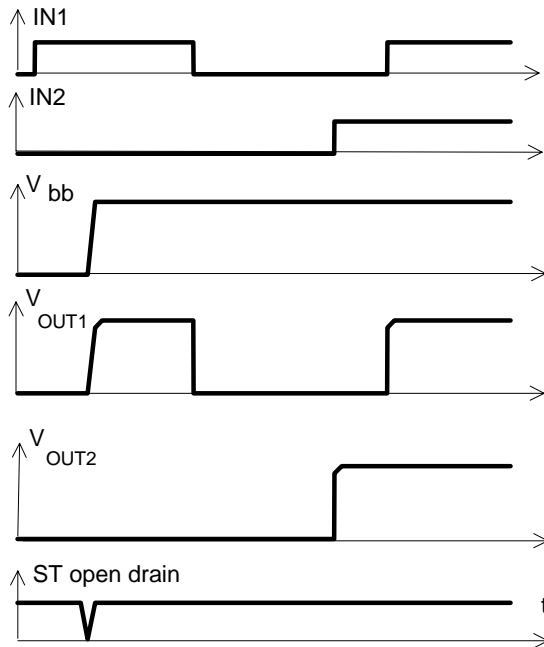
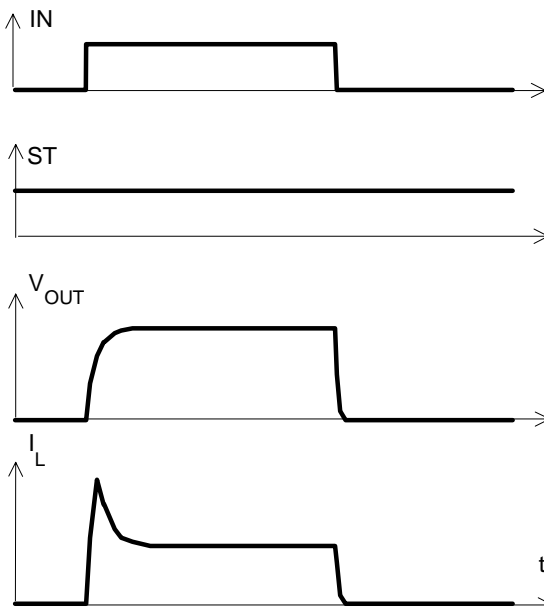
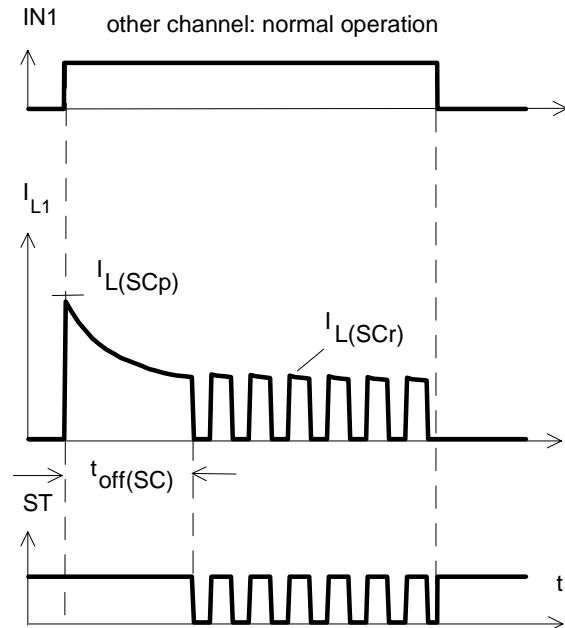


Figure 2a: Switching a lamp:



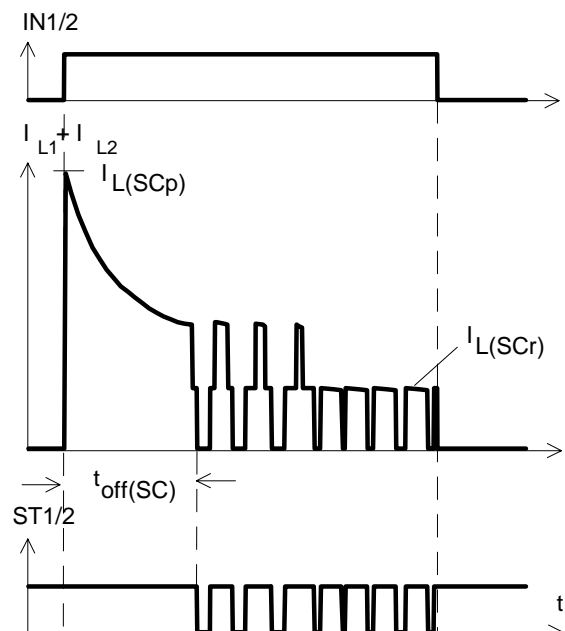
The initial peak current should be limited by the lamp and not by the initial short circuit current $I_{L(SCp)} = 28$ A typ. of the device.

Figure 3a: Turn on into short circuit:
shut down by overtemperature, restart by cooling



Heating up of the chip may require several milliseconds, depending on external conditions ($t_{off(SC)}$ vs. $T_{j,start}$ see page 10)

Figure 3b: Turn on into short circuit:
shut down by overtemperature, restart by cooling
(two parallel switched channels 1 and 2)



ST1 and ST2 have to be configured as a 'Wired OR' function ST1/2 with a single pull-up resistor.

Figure 4a: Overtemperature:
Reset if $T_j < T_{jt}$

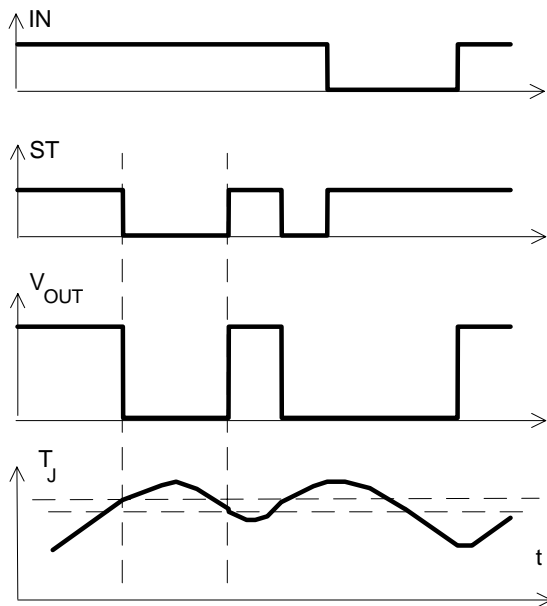


Figure 5a: Open load: detection in ON-state, turn on/off to open load

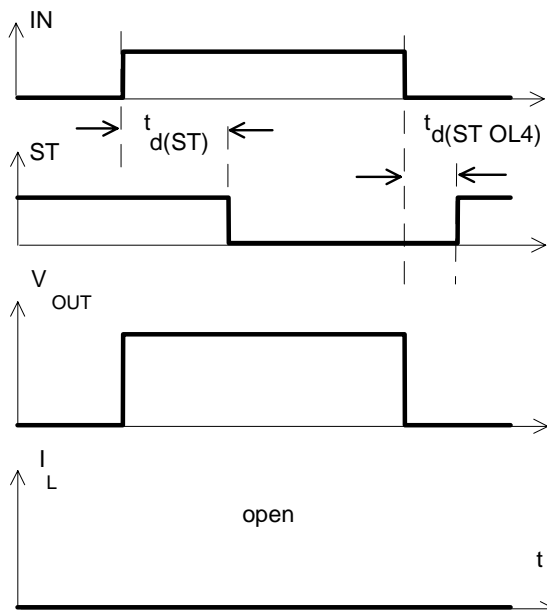
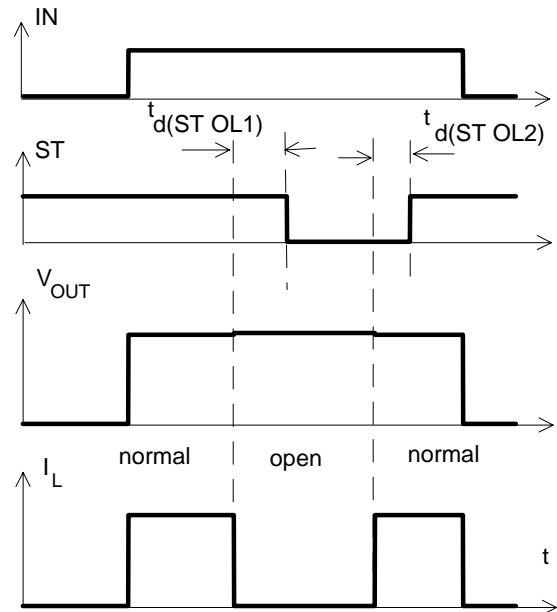


Figure 5b: Open load: detection in ON-state, open load occurs in on-state



$t_{d(ST OL1)} = 20 \mu\text{s typ.}$, $t_{d(ST OL2)} = 10 \mu\text{s typ.}$

Figure 5c: Open load: detection in ON- and OFF-state (with R_{EXT}), turn on/off to open load

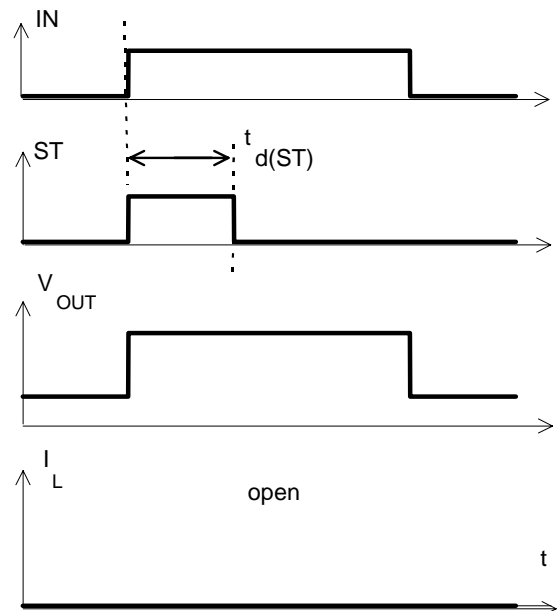


Figure 6a: Undervoltage:

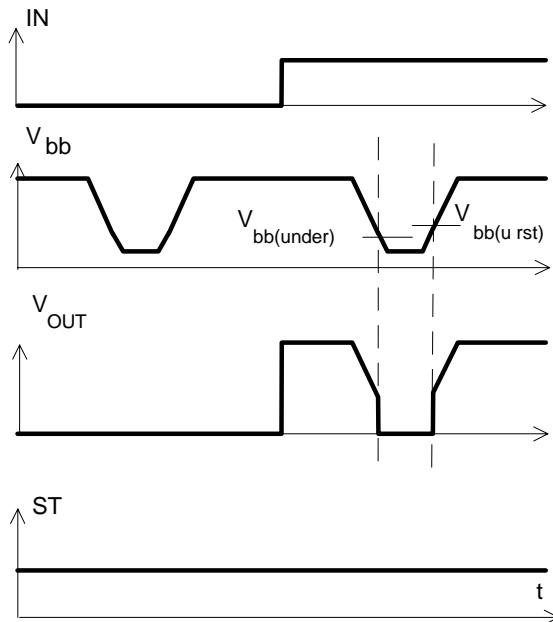


Figure 7a: Overvoltage:

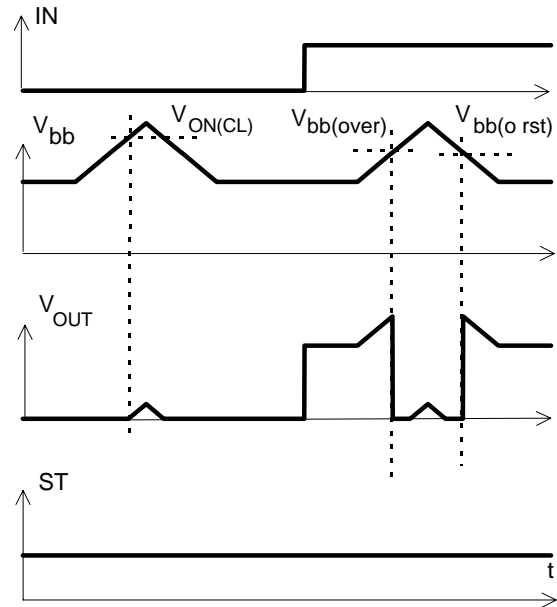
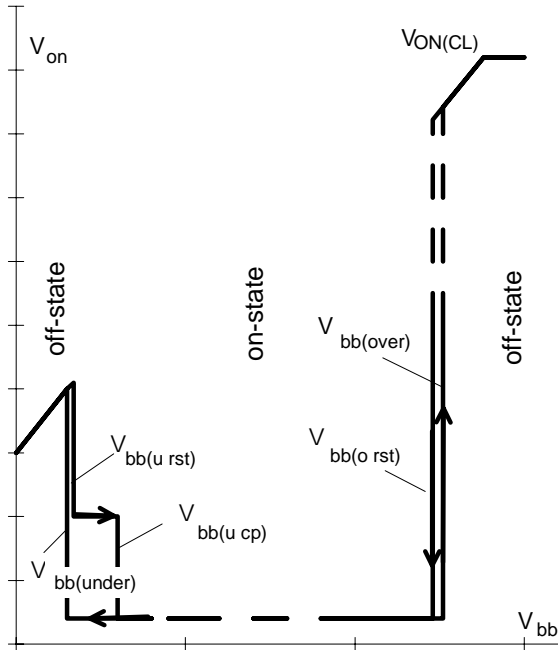


Figure 6b: Undervoltage restart of charge pump

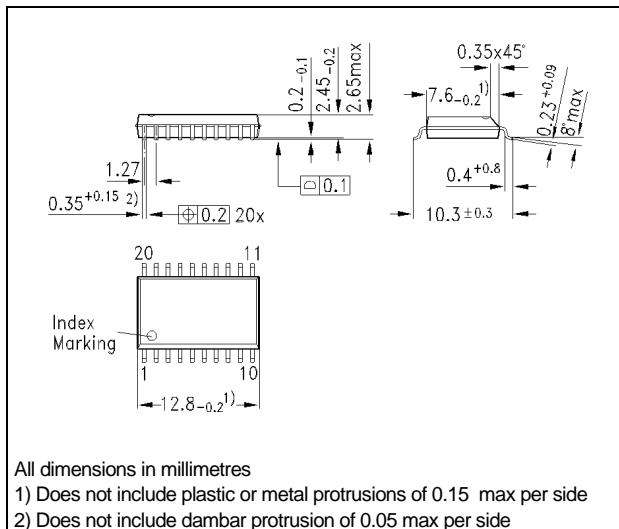


IN = high, normal load conditions.
 Charge pump starts at $V_{bb(\text{ucp})} = 5.6\text{V typ.}$

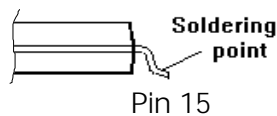
Package and Ordering Code

Standard P-DSO-20-9 Ordering Code

BTS725L1	Q67060-S7006-A2
----------	-----------------



Definition of soldering point with temperature T_S :
 upper side of solder edge of device pin 15.



Printed circuit board (FR4, 1.5mm thick, one layer
 70 μ m, 6cm² active heatsink area) as a reference for
 max. power dissipation P_{tot} , nominal load current
 $I_{L(NOM)}$ and thermal resistance R_{thja}

