

SGM9117

Triple, 200MHz 6dB, Video Driver

PRODUCT DESCRIPTION

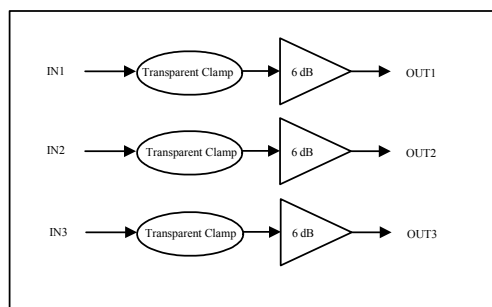
The SGM9117 includes triple high-speed video buffers with $G = +2$ in one package. Every video buffer has -3 dB full signal bandwidth in excess of 200 MHz, along with slew rates in excess of 300 V/ μ s. With -65 dB of crosstalk at 1MHz, the SGM9117 is useful in many high-speed applications. The differential gain and differential phase error are 0.01% and 0.02° . The SGM9117 is ideal for RGB and YPbPr signal buffering or driving. Operating from single supplies ranging from +2.5V to +5.5V and sinking an ultra-low 27.5mA quiescent current, the SGM9117 is also ideally suited for battery powered applications.

The SGM9117 is specified over the extended -40°C to $+125^\circ\text{C}$ temperature range. It has lead (Pb) free SOIC-8 package.

APPLICATIONS

- Video amplifier
- Cable and Satellite set- top box
- Communications device
- Video on demand
- Portable and handheld product
- Personal video recorder
- DVD player
- HDTV
- Projector

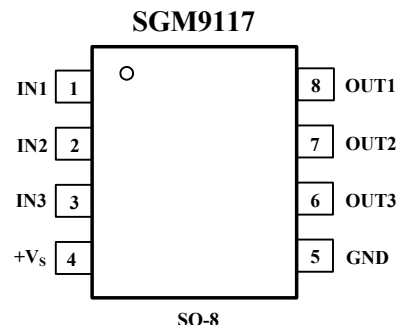
BLOCK DIAGRAM



FEATURES

- Triple 200MHz Video Drivers
- Transparent input clamping
- 6dB output driver Gain and drive dual video load
- Rail-to-Rail Output
- Input Voltage Range Includes Ground
- AC or DC Coupled Inputs
- AC or DC Coupled Outputs
- Operates from 2.5 V to 5.5 V Single power supply
- Low Power (9.2mA/channel)
27.5 mA total Supply Current
- Lead (Pb) Free SOIC-8 package

PIN CONFIGURATIONS (Top View)



ELECTRICAL CHARACTERISTICS: $V_S = +5.0V$

(At $R_L = 150\Omega$ connected to GND, $V_{IN} = 100mV_{p-p}$, and $C_{IN} = 0.1\mu F$, all outputs AC coupled with $220\mu F$, unless otherwise noted)

PARAMETER	CONDITION	SGM9117							
		TYP	MIN/MAX OVER TEMPERATURE					UNITS	MIN/ MAX
		+25°C	+25°C	0°C to 70°C	-40°C to 85°C	-40°C to 125°C			
INPUT CHARACTERISTICS									
Output Level Shift Voltage (V_{OLS})	$V_{IN} = 0V$, no load	261	348	355	365	395	mV	MAX	
Input Bias Current (I_B)							pA	TYP	
Input Voltage Clamp (V_{CLAMP})	$I_{IN} = -1mA$	-4.3	-14	-16	-20	-23	mV	MIN	
Clamp Charge Current	$V_{IN} = V_{CLAMP} - 100mV$	-5.3	-6.2	-6.3	-6.9	-7.5	mA	MIN	
Input Resistance (R_{IN})	$0.5V < V_{IN} < 1.0V$						MΩ	MIN	
Voltage Gain (A_V)	$R_L = 150\Omega$	1.97	1.90	1.88	1.85	1.80	V/V	MIN	
			2.04	2.06	2.08	2.1	V/V	MAX	
OUTPUT CHARACTERISTICS									
Output Voltage High Swing	$V_{IN} = 3V$, $R_L = 150\Omega$ to GND	4.5	4.3	4.28	4.25	4.2	V	MIN	
Output Short-Circuit Current (I_{SC})	$V_{IN} = 3V$, to GND through 10Ω	-105	-102				mA	MAX	
	$V_{IN} = 100mV$, out short to V_{DD} through 10Ω	115	103				mA	MIN	
POWER SUPPLY									
Operating Voltage Range			2.5	2.7	2.7	2.7	V	MIN	
			5.5	5.5	5.5	5.5	V	MAX	
Power Supply Rejection Ratio (PSRR)	$V_S = +2.7V$ to $+5.5V$	62	60	59	56	55	dB	MIN	
Quiescent Current (I_Q)	$V_{IN} = 500mV$,	27.5	31.5	32	33	34	mA	MAX	
DYNAMIC PERFORMANCE									
$\pm 0.1dB$ Bandwidth	$R_L = 150\Omega$	92					MHz	TYP	
-3dB Bandwidth	$R_L = 150\Omega$	200					MHz	TYP	
Slew Rate	20% to 80%, $V_{IN} = 1V$ Step,	300					V/ μs	TYP	
Differential Gain (DG)	NTSC & PAL DC coupled	0.01					%	TYP	
	NTSC & PAL AC coupled	0.46					%	TYP	
Differential Phase (DP)	NTSC & PAL DC coupled	0.02					°	TYP	
	NTSC & PAL AC coupled	0.8					°	TYP	
Group Delay Variation (D/DT)	$f = 400KHz, 26.5MHz$	3.0					ns	TYP	
Crosstalk (channel - to - channel)	at 1MHz	-65					dB	TYP	
Fall Time	$2.0V_{STEP}$, 80% to 20%	5.0					ns	TYP	
Rise Time	$2.0V_{STEP}$, 80% to 20%	5.1					ns	TYP	

Specifications subject to change without notice.

PACKAGE/ORDERING INFORMATION

ORDER NUMBER	PACKAGE DESCRIPTION	TEMPERATURE RANGE	PACKAGE OPTION	MARKING INFORMATION
SGM9117ZS/TR	SO-8	0°C to +70°C	Tape and Reel, 2500	SGM9117ZS
SGM9117XS/TR	SO-8	-40°C to +125°C	Tape and Reel, 2500	SGM9117XS

www.DataSheet4U.com

ABSOLUTE MAXIMUM RATINGS

Supply Voltage, V+ to V- 7.5 V
 Input Voltage
 GND – 0.3 V to (+Vs) +0.3V
 Storage Temperature Range –65°C to +150°C
 Junction Temperature 160°C
 Operating Temperature Range –40°C to +125°C
 Power Dissipation, P_D @ T_A = 25°C
 SO-8 0.8W
 Package Thermal Resistance
 SO-8, θ_{JA} 128°C/W
 Lead Temperature Range (Soldering 10 sec)
 260°C
 ESD Susceptibility
 HBM 4000V
 MM 400V

NOTES

1. Stresses above those listed under Absolute Maximum Ratings may cause permanent damage to the device. This is a stress rating only; functional operation of the device at these or any other conditions above those indicated in the operational section of this specification is not implied. Exposure to absolute maximum rating conditions for extended periods may affect device reliability.

PIN DESCRIPTION

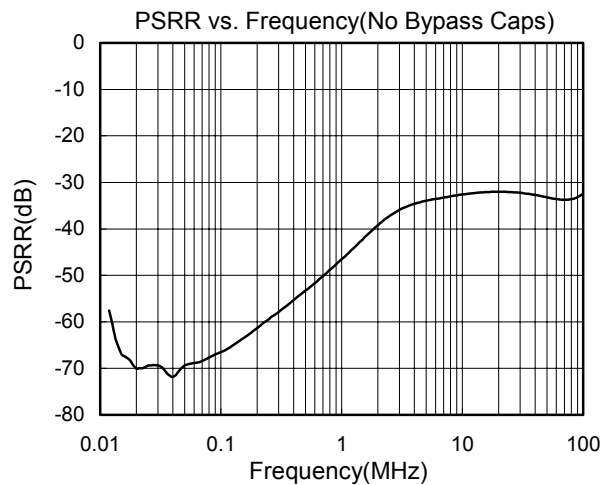
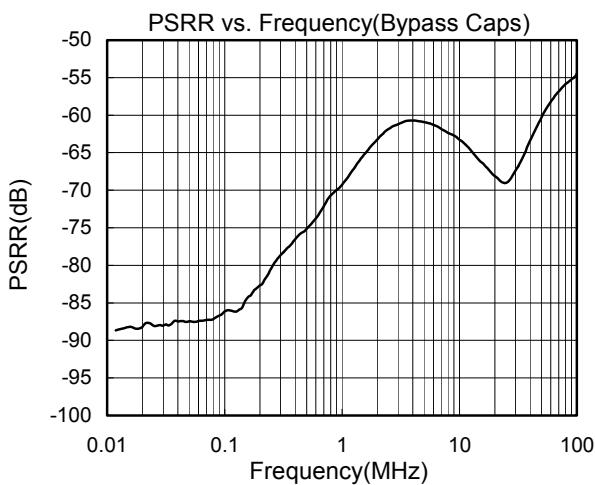
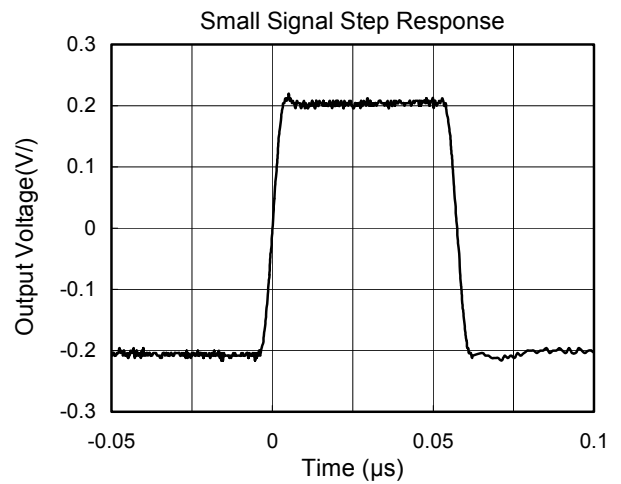
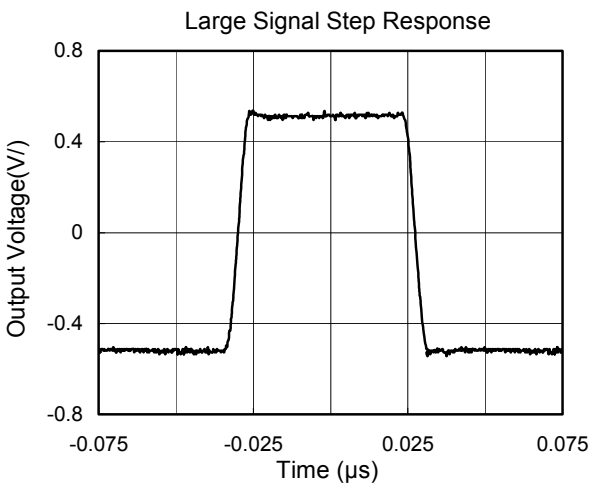
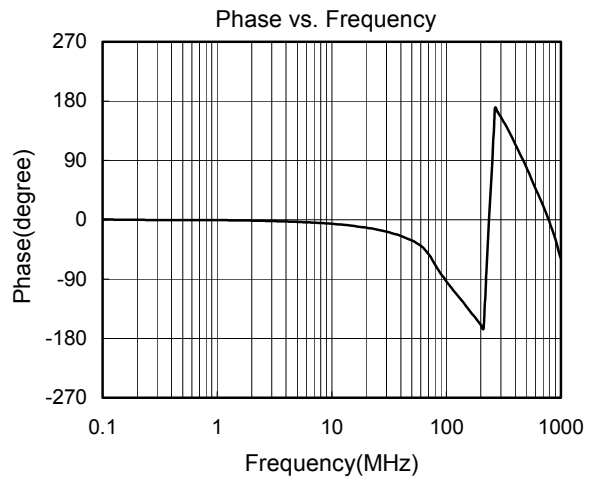
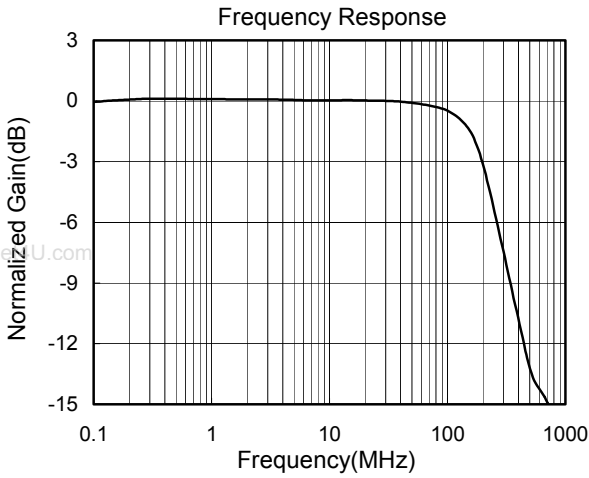
PIN	NAME	FUNCTION
1	IN1	Video input, channel 1
2	IN2	Video input, channel 2
3	IN3	Video input, channel 3
4	+Vs	Power supply
5	GND	Ground
6	OUT3	Filtered output, channel 3
7	OUT2	Filtered output, channel 2
8	OUT1	Filtered output, channel 1

CAUTION

This integrated circuit can be damaged by ESD if you don't pay attention to ESD protection. Shengbang Micro-electronics recommends that all integrated circuits be handled with appropriate precautions. Failure to observe proper handling and installation procedures can cause damage. ESD damage can range from subtle performance degradation to complete device failure. Precision integrated circuits may be more susceptible to damage because very small parametric changes could cause the device not to meet its published specifications.

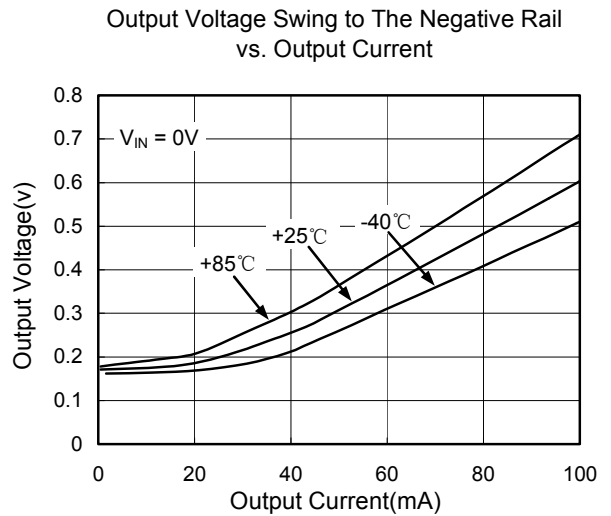
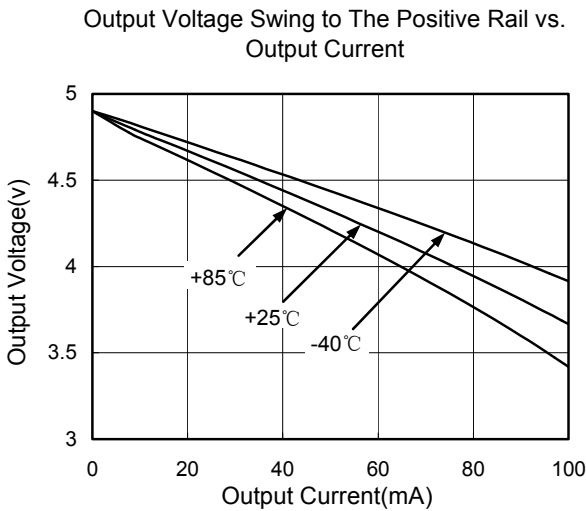
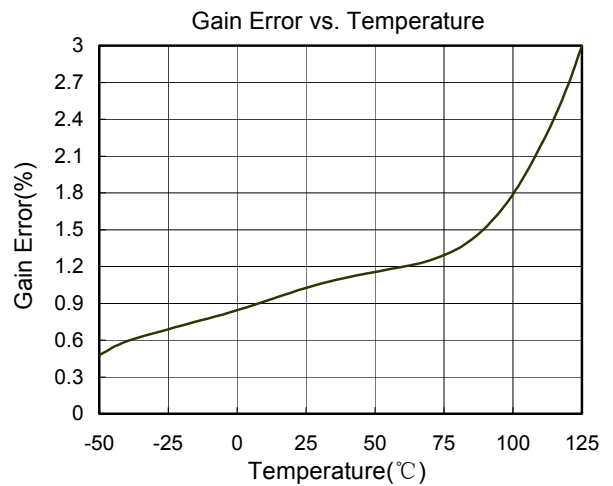
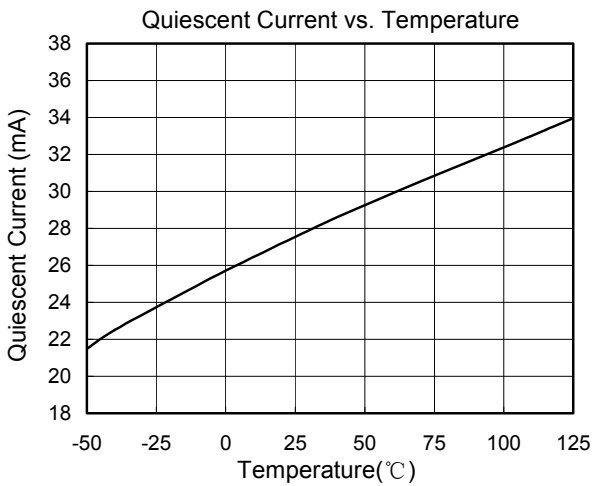
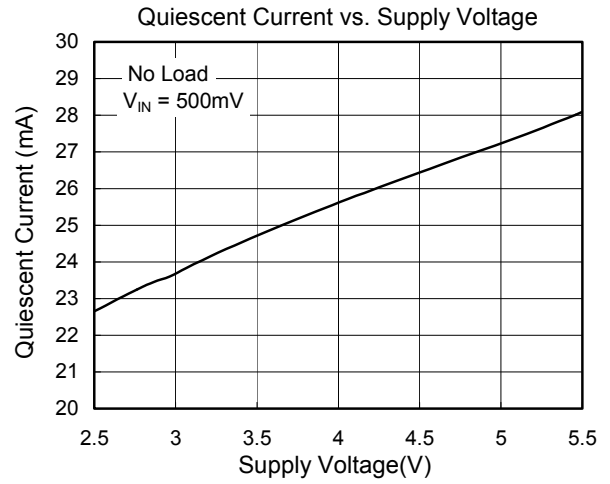
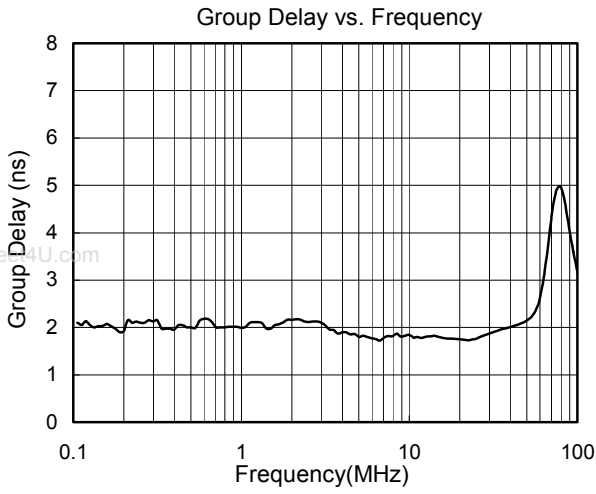
TYPICAL PERFORMANCE CHARACTERISTICS

At $V_S = +5.0V$, $T_A = +25^\circ C$, $R_L = 150\Omega$, all outputs AC coupled with $220\mu F$, unless otherwise noted.



TYPICAL PERFORMANCE CHARACTERISTICS

At $V_S = +5.0V$, $T_A = +25^\circ C$, $R_L = 150\Omega$, all outputs AC coupled with $220\mu F$, unless otherwise noted.



Applications Information

Functional Description

SGM9117 operates from a single +2.5V to +5V supply. In application, SGM9117 is a fully integrated solution for buffering RGB or HDTV component signals in front of video decoder or behind video encoder. For example, SGM9117 can replace three amplifier drivers at R/G/B and Y/Pb/Pr output side in set-top box, Monitor and LCD TV, this solution can help you save PCB size and production cost, it also improves video signal performance comparing with traditional design using discrete components. SGM9117 features a DC-coupled input buffer, and a gain of +6dB in the output amplifier to drive 75Ω load. The AC or DC-coupled input buffer eliminates sync crush, droop, and field tilt. The output of SGM9117 also can be DC-coupled or AC-coupled.

Input Considerations

Besides AC coupling, the SGM9117 inputs also can be DC-coupled. In DC coupling application, No input coupling capacitors are needed because the amplitude of input video signal from DAC includes ground and extends up to 1.4V, then SGM9117 can be directly connected to the output of a single-supply, current-output DAC without any external bias network. Some time, if DAC's output level exceeds the range of 0V to 1.4V, or SGM9117 is driven by an unknown external source or a SCART switch which has its own clamping circuit, AC coupling is needed in such application.

Output Considerations

The SGM9117 outputs can be DC-coupled or AC-coupled. While input is 0V, the SGM9117 output voltage is 260mV typically. In DC coupling design, one 75Ω resistor is used to Connect SGM9117's output pin with external load directly, this serial back-termination resistor is used to match the impedance of the transmission line between SGM9117 and external load to cancel the signal reflection. The SGM9117 outputs can sink and source current allowing the device to be AC-coupled with external load, in AC coupling, 220μF at least capacitor will be used in order to cancel field tilt.

Power-Supply Bypassing and Layout

Correct power supply bypassing is very important for optimizing video performance in design. One 0.1μF and one 10μF capacitors are always used to Bypass V_{CC} pin of SGM9117, please place these two capacitors as close to the SGM9117 output pin as possible, a large ground plane is also needed to ensure optimum performance. The input and output termination resistors should be placed as close to the related pin of SGM9117 as possible to avoid performance degradation. The PCB traces at the output side should have 75Ω characteristic impedance in order to match the 75Ω characteristic impedance cable connecting external load. In design, please keep the board trace at the inputs and outputs of the SGM9117 as short as possible to minimize the parasitic stray capacitance and noise pickup, designer needs to cavern out the ground layer under input and output trace in order to reduce stray capacitance and avoid signal peaking.

Typical Application Diagram

The circuit in Figure 3 is normally used for AC coupled output and DC-coupled input with DAC which has an output voltage range of 0V to 1.4V. AC coupled output offers slightly lower power dissipation and high ESD protection ability. The schematics in Figure 1 and Figure 2 are also popular in design.

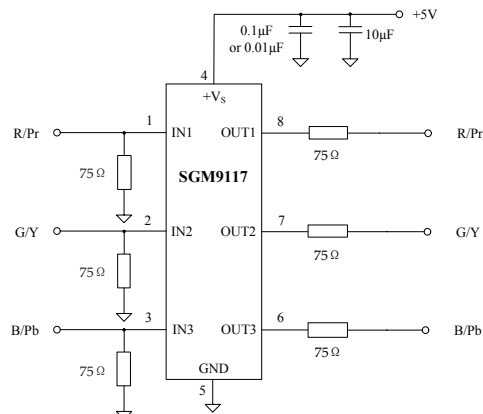


Figure 1. DC Coupling circuit

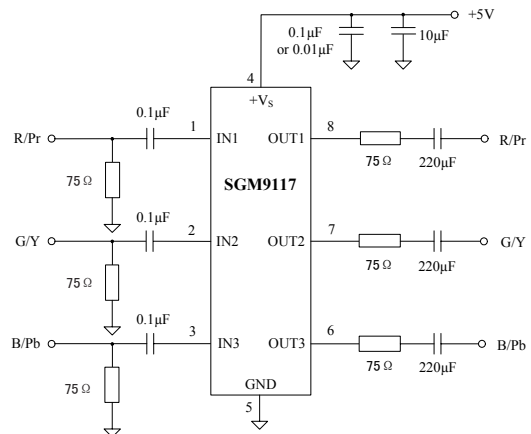


Figure 2. AC Coupling Application Schematic

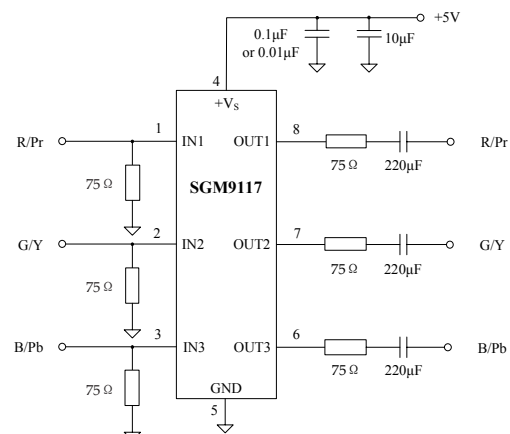
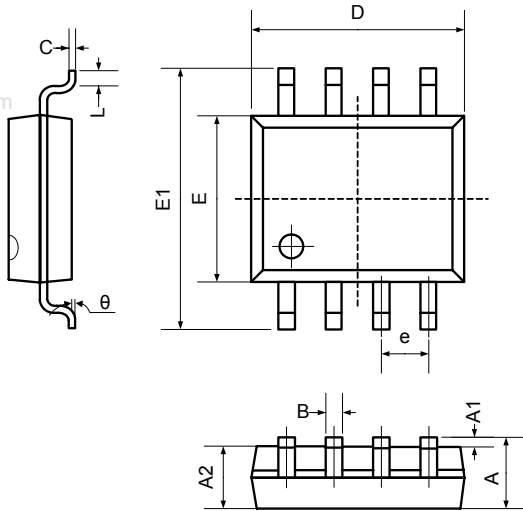


Figure 3. Input DC and output AC Coupling circuit

PACKAGE OUTLINE DIMENSIONS

SO-8



Symbol	Dimensions In Millimeters		Dimensions In Inches	
	Min	Max	Min	Max
A	1.350	1.750	0.053	0.069
A1	0.100	0.250	0.004	0.010
A2	1.350	1.550	0.053	0.061
B	0.330	0.510	0.013	0.020
C	0.190	0.250	0.007	0.010
D	4.780	5.000	0.188	0.197
E	3.800	4.000	0.150	0.157
E1	5.800	6.300	0.228	0.248
e	1.270TYP		0.050TYP	
L	0.400	1.270	0.016	0.050
theta	0°	8°	0°	8°