

SGM9115

Triple, 9MHz, 3rd Order SDTV Video Filter Drivers

PRODUCT DESCRIPTION

SGM9115 is a video buffer which integrates triple 6dB Gain rail-to-rail output driver and triple 3rd output reconstruction filter, it has 9MHz -3dB bandwidth and 44V/ μ s slew rate. SGM9115 provides improved image quality compared with passive LC filters and discrete drivers solution. Operating from single supplies ranging from +2.5V to +5.5V and sinking an ultra-low 6.8mA quiescent current, the SGM9115 is ideally suited for battery powered applications.

SGM9115 can be DC-coupled or AC-coupled with input video signal, such as the output stage of DAC to eliminate out-of-band noise. Internal diode clamps and bias circuitry may be used if AC-coupled inputs are required. SGM9115 also integrates an internal level shift circuit which avoids sync-pulse being clipped and allows DC-coupled output. The drivers in SGM9115 can drive DC or AC-coupled single (150 Ω) or dual (75 Ω) loads.

The SGM9115 has lead (Pb) free SOIC-8 package and ESD(HBM) reaches 8KV.

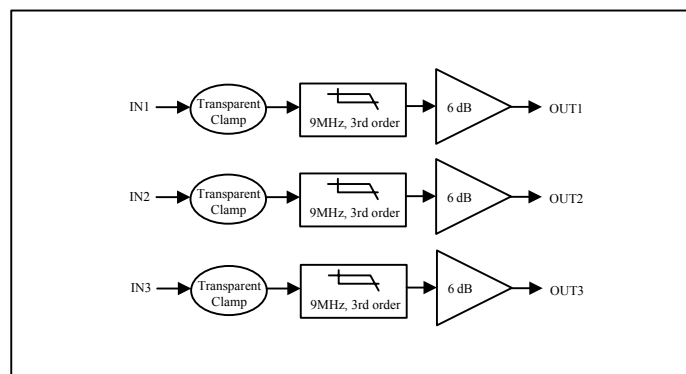
FEATURES

- Triple 3rd order 9MHz (SD) filters
- Transparent input clamping
- 6dB output driver Gain and drive dual video load
- Rail-to-Rail Output
- Input Voltage Range Includes Ground
- AC or DC Coupled Inputs
- AC or DC Coupled Outputs
- Operates from 2.5 V to 5.5 V Single power supply
- Low Power (2.3mA/channel)
6.8 mA total Supply Current
- Lead (Pb) Free SOIC-8 package

APPLICATIONS

Video amplifiers
Cable and Satellite set top boxes
Communications devices
Video on demand
Portable and handheld products
Personal video recorders
DVD players
SDTVs

BLOCK DIAGRAM



ELECTRICAL CHARACTERISTICS: $V_S = +5.0V$

(At $R_L = 150\Omega$ connected to GND, $V_{in}=1V_{pp}$, and $C_{IN} = 0.1\mu F$, all outputs AC coupled with $220\mu F$, unless otherwise noted)

PARAMETER	CONDITION	SGM9115							
		TYP	MIN/MAX OVER TEMPERATURE					UNITS	MIN/MAX
		+25°C	+25°C	0°C to 70°C	-40°C to 85°C	-40°C to 125°C			
INPUT CHARACTERISTICS									
Output Level Shift Voltage (V_{OLS})	$V_{IN} = 0V$, no load	258	340	350	380	400	mV	MAX	
Input Bias Current (I_B)							pA	TYP	
Input Voltage Clamp (V_{CLAMP})	$I_{IN} = -1mA$	-15	-20	-21	-24	-27	mV	MIN	
Clamp Charge Current	$V_{IN} = V_{CLAMP} - 100mV$	-5	-5.9	-6	-6.5	-7	mA	MIN	
Input Resistance (R_{IN})	$0.5V < V_{IN} < 1.0V$						MΩ	MIN	
Voltage Gain (A_V)	$R_L = 150\Omega$	2.0	1.95	1.93	1.91	1.90	V/V	MIN	
			2.04	2.06	2.08	2.09	V/V	MAX	
OUTPUT CHARACTERISTICS									
Output Voltage High Swing	$V_{IN} = 3V$, $R_L = 150\Omega$ to GND	4.4	4.3	4.29	4.25	4.2	V	MIN	
Output Short-Circuit Current (I_{SC})	$V_{IN} = 3V$, to GND through 10Ω	-104	-100				mA	MAX	
	$V_{IN} = 100mV$, out short to V_{DD} through 10Ω	110	103				mA	MIN	
POWER SUPPLY									
Operating Voltage Range			2.5	2.7	2.7	2.7	V	MIN	
			5.5	5.5	5.5	5.5	V	MAX	
Power Supply Rejection Ratio (PSRR)	$V_S = +2.7V$ to $+5.5V$	60	58	58	57	56	dB	MIN	
Quiescent Current (I_Q)	$V_{IN} = 500mV$,	6.8	7.8	8.0	8.5	9.0	mA	MAX	
DYNAMIC PERFORMANCE									
$\pm 0.1dB$ Bandwidth	$R_L = 150\Omega$	4.5					MHz	TYP	
-3dB Bandwidth	$R_L = 150\Omega$	9.0					MHz	TYP	
Filter Response									
Normalized Gain: $f_{IN} = 4.5MHz$		-0.1					dB	TYP	
$f_{IN} = 27MHz$		-22					dB	TYP	
Slew Rate	20% to 80%, $V_{IN} = 1V$ Step,	44					V/ μs	TYP	
Differential Gain (DG)	NTSC & PAL DC coupled	0.2					%	TYP	
	NTSC & PAL AC coupled	0.52					%	TYP	
Differential Phase (DP)	NTSC & PAL DC coupled	0.4					°	TYP	
	NTSC & PAL AC coupled	1.0					°	TYP	
Group Delay Variation (D/DT)	$f = 400KHz$, $6.5MHz$	5.5					ns	TYP	
Crosstalk (channel - to - channel)	at $1MHz$	-64					dB	TYP	
Fall Time	$2.0V_{STEP}$, 80% to 20%	36					ns	TYP	
Rise Time	$2.0V_{STEP}$, 80% to 20%	38					ns	TYP	

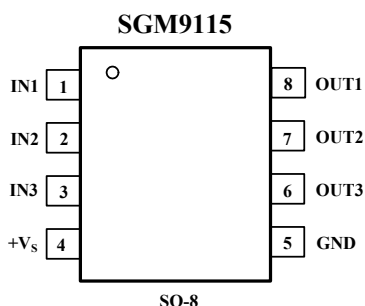
Specifications subject to change without notice.

PACKAGE/ORDERING INFORMATION

ORDER NUMBER	PACKAGE DESCRIPTION	TEMPERATURE RANGE	PACKAGE OPTION	MARKING INFORMATION
SGM9115ZS/TR	SO-8	0°C to +70°C	Tape and Reel, 2500	SGM9115ZS
SGM9115XS/TR	SO-8	-40°C to +125°C	Tape and Reel, 2500	SGM9115XS

PIN CONFIGURATIONS (Top View)

www.DataSheet4U.com



PIN DESCRIPTION

PIN	NAME	FUNCTION
1	IN1	Video input, channel 1
2	IN2	Video input, channel 2
3	IN3	Video input, channel 3
4	+Vs	Power supply
5	GND	Ground
6	OUT3	Filtered output, channel 3
7	OUT2	Filtered output, channel 2
8	OUT1	Filtered output, channel 1

ABSOLUTE MAXIMUM RATINGS

Supply Voltage, V+ to V-	7.5 V
Input Voltage	GND – 0.3 V to (+Vs) +0.3V
Storage Temperature Range.....	–65°C to +150°C
Junction Temperature	160°C
Operating Temperature Range	–40°C to +125°C
Power Dissipation, P _D @ T _A = 25°C	
SO-8	0.8W
Package Thermal Resistance	
SO-8, θ_{JA}	128°C/W
Lead Temperature Range (Soldering 10 sec)	
.....	260°C
ESD Susceptibility	
HBM.....	8000V
MM.....	400V

NOTES

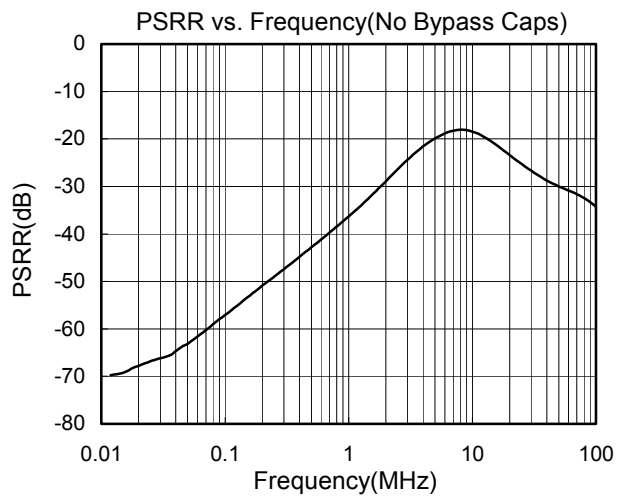
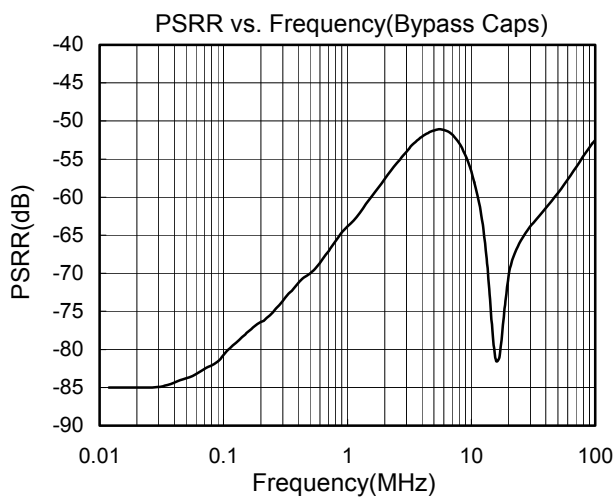
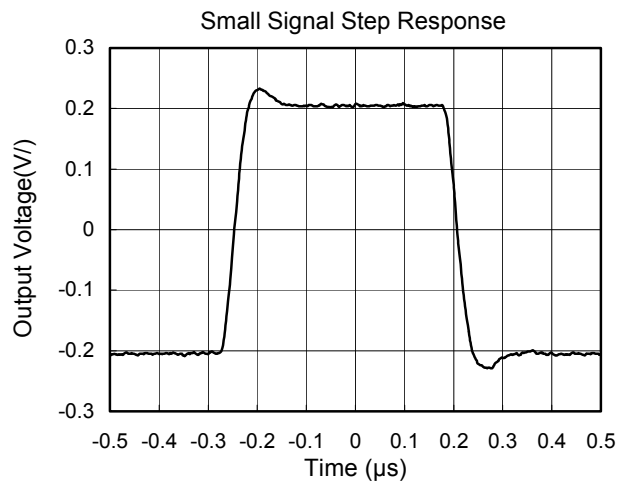
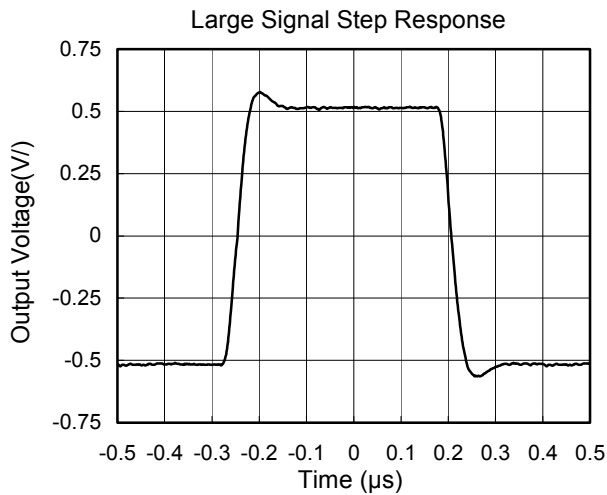
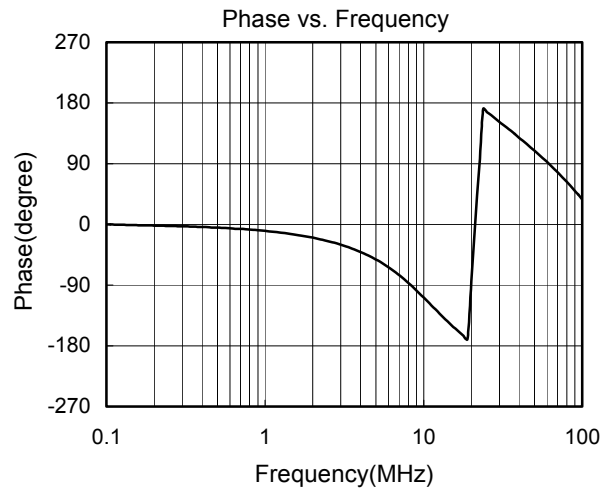
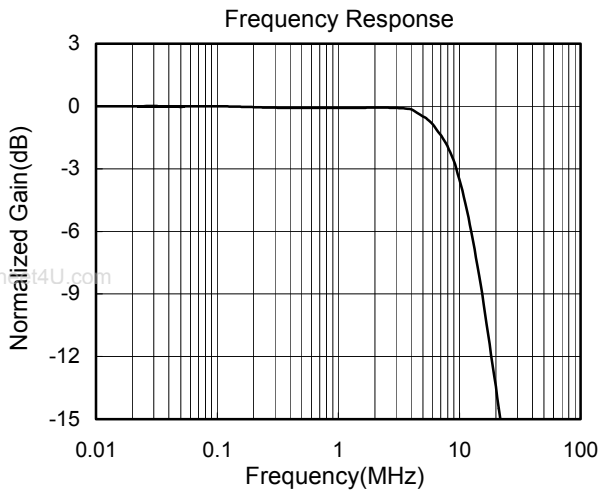
1. Stresses above those listed under Absolute Maximum Ratings may cause permanent damage to the device. This is a stress rating only; functional operation of the device at these or any other conditions above those indicated in the operational section of this specification is not implied. Exposure to absolute maximum rating conditions for extended periods may affect device reliability.

CAUTION

This integrated circuit can be damaged by ESD if you don't pay attention to ESD protection. Shengbang Micro-electronics recommends that all integrated circuits be handled with appropriate precautions. Failure to observe proper handling and installation procedures can cause damage. ESD damage can range from subtle performance degradation to complete device failure. Precision integrated circuits may be more susceptible to damage because very small parametric changes could cause the device not to meet its published specifications.

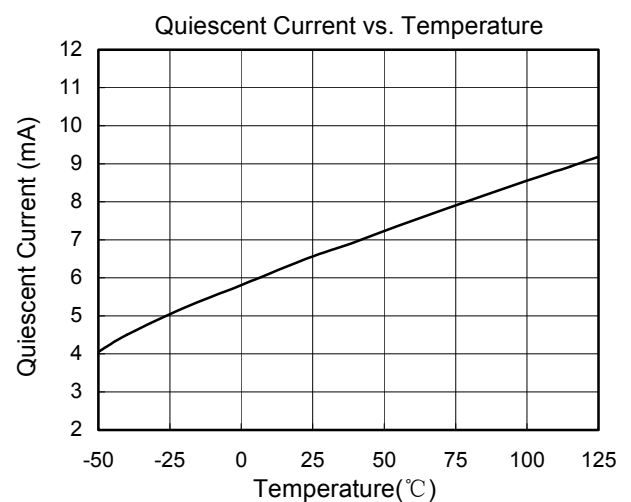
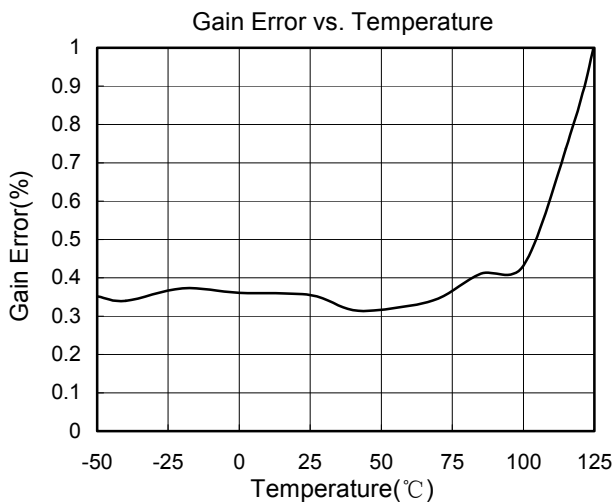
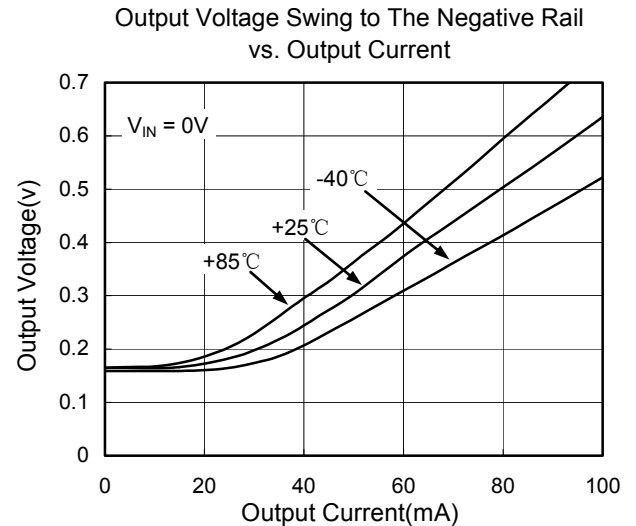
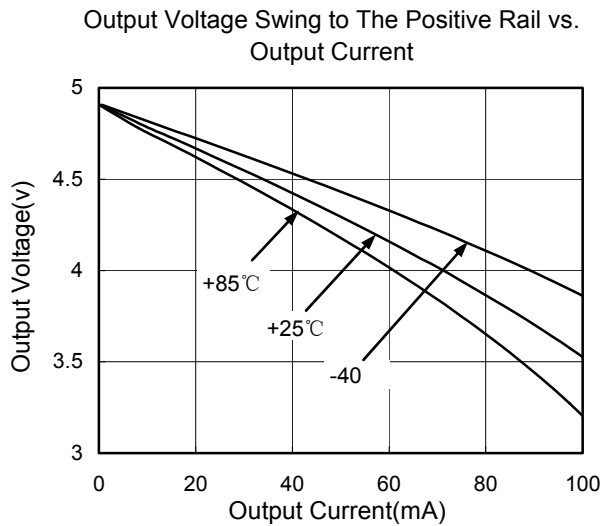
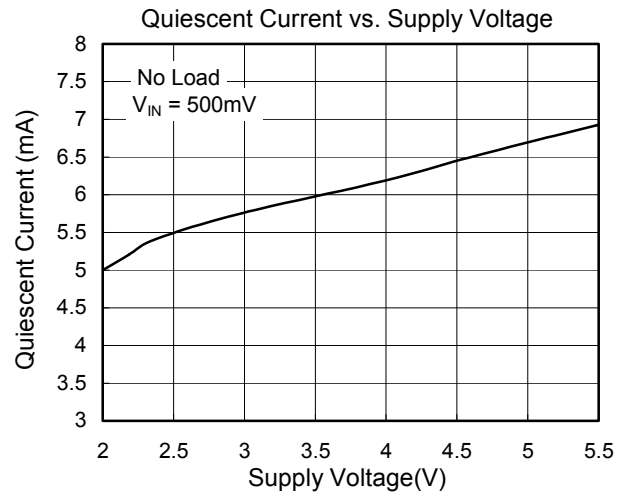
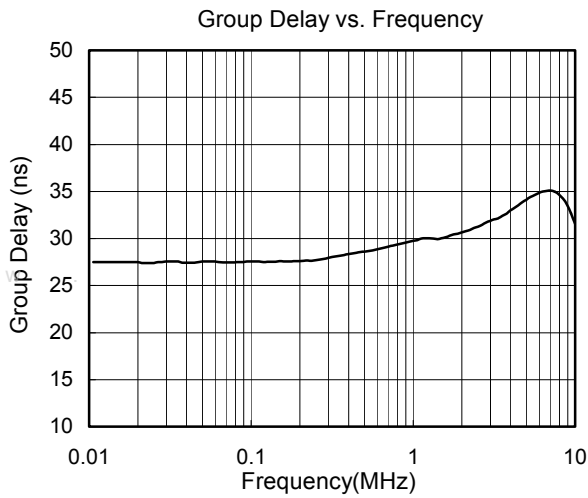
TYPICAL PERFORMANCE CHARACTERISTICS

At $V_S = +5.0V$, $T_A = +25^\circ C$, $R_L = 150\Omega$, all outputs AC coupled with $220\mu F$, unless otherwise noted.



TYPICAL PERFORMANCE CHARACTERISTICS

At $V_S = +5.0V$, $T_A = +25^\circ C$, $R_L = 150\Omega$, all outputs AC coupled with $220\mu F$, unless otherwise noted.



Applications Information

Functional Description

SGM9115 operates from a single +2.5V to +5V supply. In application, SGM9115 is a fully integrated solution for filtering and buffering SDTV signals in front of video decoder or behind video encoder. For example, SGM9115 can replace three passive LC filters and three amplifier drivers at CVBS and S-video output side in set-top box and DVD player, this solution can help you save PCB size and production cost, it also improves video signal performance comparing with traditional design using discrete components. SGM9115 features a DC-coupled input buffer, 3-pole low-pass filter to eliminate out-of-band noise of video encoder, and a gain of +6dB in the output amplifier to drive 75Ω load. The AC or DC-coupled input buffer eliminates sync crush, droop, and field tilt. The output of SGM9115 also can be DC-coupled or AC-coupled.

Input Considerations

Besides AC coupling, the SGM9115 inputs also can be DC-coupled. In DC coupling application, No input coupling capacitors are needed because the amplitude of input video signal from DAC includes ground and extends up to 1.4V, then SGM9115 can be directly connected to the output of a single-supply, current-output DAC without any external bias network. Some time, if DAC's output level exceeds the range of 0V to 1.4V, or SGM9115 is driven by an unknown external source or a SCART switch which has its own clamping circuit, AC coupling is needed in such applications.

Output Considerations

The SGM9115 outputs can be DC-coupled or AC-coupled. When 0V is input, the SGM9115 output voltage is 260mV typically. In DC coupling design, one 75Ω resistor is used to Connect SGM9115's output pin with external load directly, this serial back-termination resistor is used to match the impedance of the transmission line between SGM9115 and external load to cancel the signal reflection. The SGM9115 outputs can sink and source current allowing the device to be AC-coupled with external load, in AC coupling, 220μF at least capacitor will be used in order to eliminate field tilt.

Power-Supply Bypassing and Layout

Correct power supply bypassing is very important for optimizing video performance in design. One 0.1μF and one 10μF capacitors are always used to Bypass V_{CC} pin of SGM9115, please place these two capacitors as close to the SGM9115 output pin as possible, a large ground plane is also needed to ensure optimum performance. The input and output termination resistors should be placed as close to the related pin of SGM9115 as possible to avoid performance degradation. The PCB traces at the output side should have 75Ω characteristic impedance in order to match the 75Ω characteristic impedance cable connecting external load. In design, please keep the board trace at the inputs and outputs of the SGM9115 as short as possible to minimize the parasitic stray capacitance and noise pickup.

Typical Application Diagram

The following schematic in Figure 3 is normally used for AC coupled output and DC-coupled input with DAC which has an output voltage range of 0V to 1.4V. AC coupled output offer slightly lower power dissipation and high ESD protection ability. The schematics in Figure 1 and Figure 2 are also popular in design. Figure 4 is a kind of special application in STB.

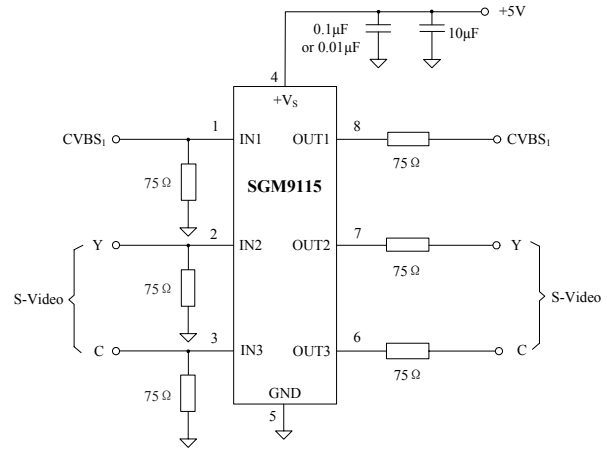


Figure 1. DC Coupling Application Schematic

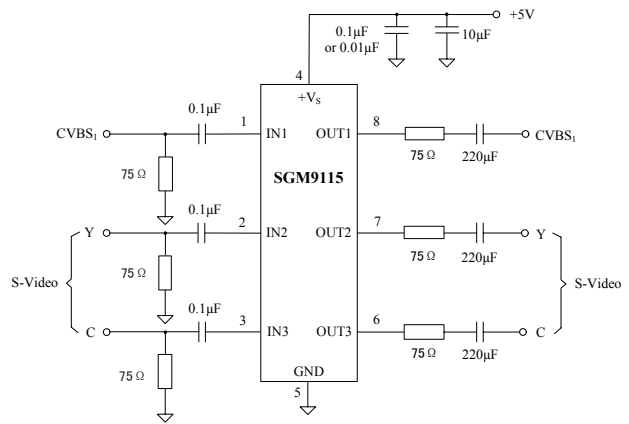


Figure 2. AC Coupling Application Schematic

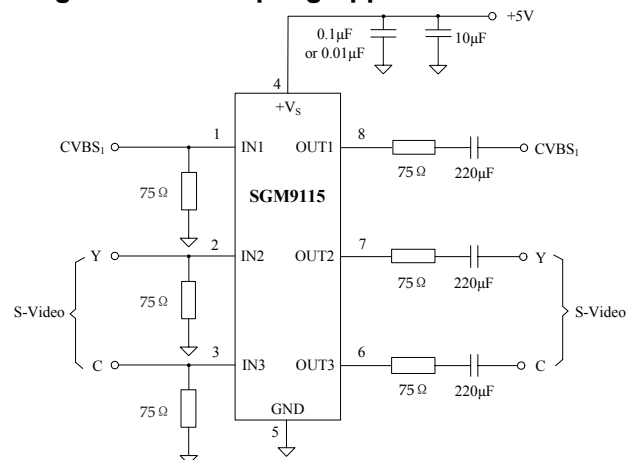


Figure 3. Input DC Coupling and Output AC Coupling Application Schematic

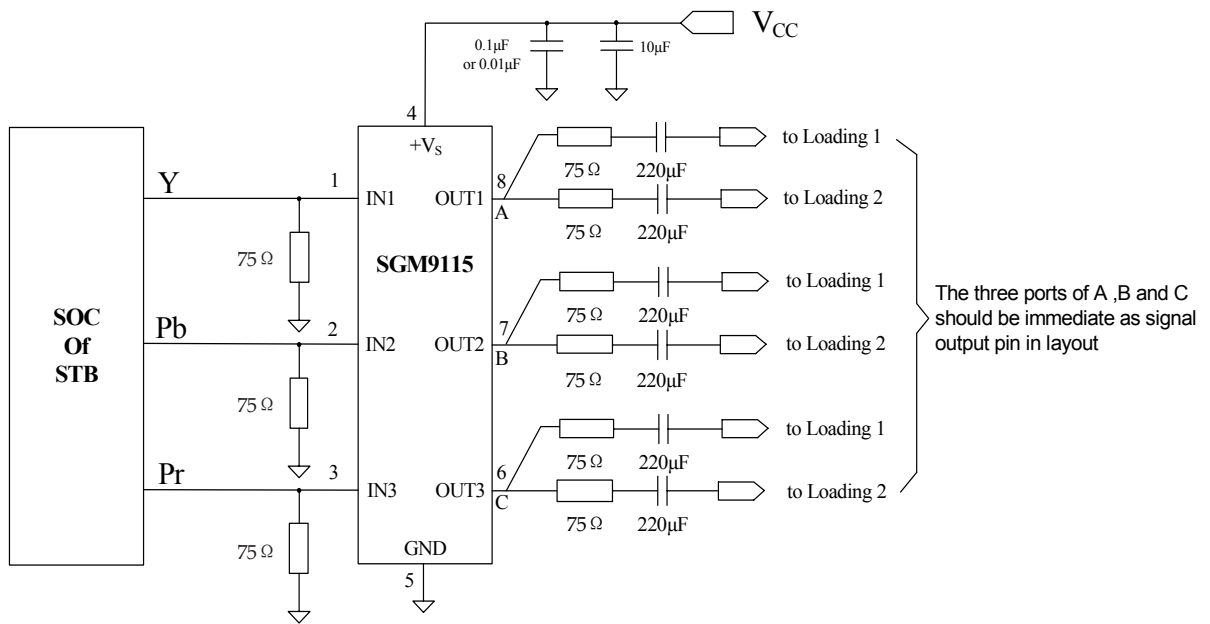
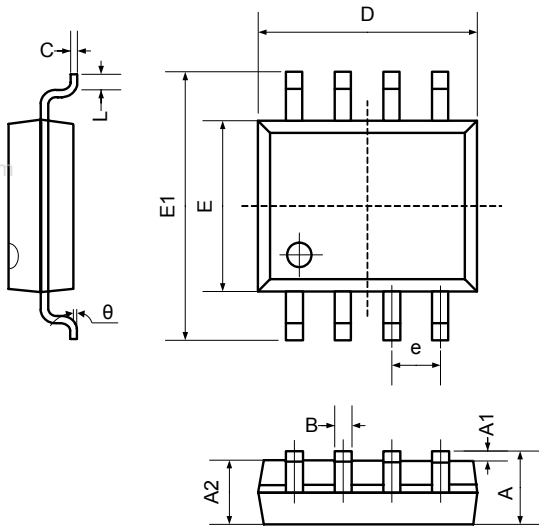


Figure 4. Input DC Coupling and Output AC Coupling Application Schematic in STB

PACKAGE OUTLINE DIMENSIONS

SO-8



Symbol	Dimensions In Millimeters		Dimensions In Inches	
	Min	Max	Min	Max
A	1.350	1.750	0.053	0.069
A1	0.100	0.250	0.004	0.010
A2	1.350	1.550	0.053	0.061
B	0.330	0.510	0.013	0.020
C	0.190	0.250	0.007	0.010
D	4.780	5.000	0.188	0.197
E	3.800	4.000	0.150	0.157
E1	5.800	6.300	0.228	0.248
e	1.270TYP		0.050TYP	
L	0.400	1.270	0.016	0.050
theta	0°	8°	0°	8°

REVISION HISTORY

Location	Page
<hr/>	
11/06— Data Sheet changed from preliminary to REV. A	
Changes to ABSOLUTE MAXIMUM RATINGS	3
06/07— Data Sheet changed from REV. A to REV. B	
Adds applications information	7

www.DataSheet4U.com

Shengbang Microelectronics Co, Ltd

Unit 3, ChuangYe Plaza
No.5, TaiHu Northern Street, YingBin Road Centralized Industrial Park
Harbin Development Zone
Harbin, HeiLongJiang 150078
P.R. China
Tel.: 86-451-84348461
Fax: 86-451-84308461
www.sg-micro.com