

SGM84782

4Ω, High Speed, Low Voltage Analog Switch / Multiplexer

GENERAL DESCRIPTION

The SGM84782 is high-speed, low-voltage, low on-resistance, CMOS analog multiplexer/switch that configured as two 4-channel multiplexers. It operates from a single +1.8V to +4.2V power supply. Targeted applications include battery powered equipment that benefit from low R_{ON} (4Ω) and fast switching speeds ($t_{ON} = 17$ ns, $t_{OFF} = 9$ ns).

The SGM84782 can handle rail-to-rail analog signals and is available in TQFN-16 and TSSOP-16 packages.

APPLICATIONS

- Communication Systems
- Cell Phones
- Portable Instrumentation
- Audio Signal Routing
- Audio and Video Switching
- Computer Peripherals
- Low-Voltage Data-Acquisition Systems

Function table

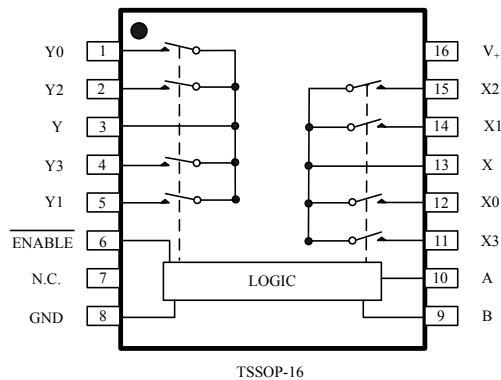
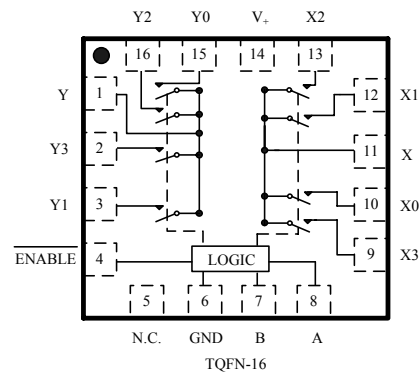
Control Inputs			ON Switches
ENABLE	Select B	A	
L	L	L	X-X0 Y-Y0
L	L	H	X-X1 Y-Y1
L	H	L	X-X2 Y-Y2
L	H	H	X-X3 Y-Y3
H	√	√	All Switches Open

√ = Don't Care.

FEATURES

- Voltage Operation: 1.8V to 4.2V
- Low On-Resistance: 4Ω (TYP) at 4.2V
- Low On-Resistance Flatness
- -3dB Bandwidth: 150MHz
- Fast Switching Time(+4.2V)
 - t_{ON} 17 ns
 - t_{OFF} 9 ns
- Low Crosstalk: -92dB at 10MHz
- Rail-to-Rail Input and Output Operation
- Typical Power Consumption (<0.01 μW)
- TTL/CMOS Compatible
- Break-Before-Make Switching
- Extended Industrial Temperature Range:
 - 40°C to +85°C
- Lead (Pb) Free TQFN-16 and TSSOP-16 packages

PIN CONFIGURATIONS (TOP VIEW)



ORDERING INFORMATION

MODEL	PIN-PACKAGE	SPECIFIED TEMPERATURE RANGE	ORDERING NUMBER	PACKAGE MARKING	PACKAGE OPTION
SGM84782	TQFN-16	- 40°C to +85°C	SGM84782YTQ16/TR	84782	Tape and Reel, 3000
	TSSOP-16	- 40°C to +85°C	SGM84782YTS/TR	SGM84782YTS	Tape and Reel, 3000

ABSOLUTE MAXIMUM RATINGS

www.DataSheet4U.com

V ₊ to GND.....	0V to +4.6V	Storage Temperature.....	- 65°C to +150°C
Analog, Digital voltage range(1).....	- 0.3V to (V ₊ + 0.3V)	Lead Temperature (soldering, 10s).....	+260°C
Continuous Current NO, NC, or COM.....	±250mA	ESD Susceptibility	
Peak Current NO, NC, or COM.....	±400mA	HBM.....	4000V
Operating Temperature Range.....	- 40°C to +85°C	MM.....	400V
Junction Temperature.....	+150°C		

Stresses beyond those listed under “Absolute Maximum Ratings” may cause permanent damage to the device. These are stress ratings only, and functional operation of the device at these or any other conditions beyond those indicated in the operational sections of the specifications is not implied. Exposure to absolute maximum rating conditions for extended periods may affect device reliability.

PIN DESCRIPTION

PIN		NAME	FUNCTION
TSSOP-16	TQFN-16		
1,5,2,4	15,3,16,2	Y0-Y3	Analog Switch Y Inputs Y0-Y3.
3	1	Y	Analog Switch Y Output.
6	4	$\overline{\text{ENABLE}}$	Digital Enable Input. Normally connect to GND. Drive to logic high to set all switches off.
7	5	N.C.	Not internally connected.
8	6	GND	Ground.
9	7	B	Digital Address B Input.
10	8	A	Digital Address A Input.
12,14,15,11	10,12,13,9	X0-X3	Analog Switch X Inputs X0-X3.
13	11	X	Analog Switch X Output.
16	14	V ₊	Power supply.

ELECTRICAL CHARACTERISTICS

(V₊ = +4.2V, GND = 0V, V_{IH} = +1.6V, V_{IL} = +0.6V, T_A = - 40°C to +85°C. Typical values are at V₊ = +4.2V, T_A = + 25°C, unless otherwise noted.)

PARAMETER	SYMBOL	CONDITIONS	TEMP	MIN	TPY	MAX	UNITS
ANALOG SWITCH							
Analog Signal Range	V _{X-} , V _{Y-} , V _X , V _Y		- 40°C to +85°C	0		V ₊	V
On-Resistance	R _{ON}	V ₊ = 4.2 V, I _{X-} , I _{Y-} = -100 mA, V _X , V _Y = 1 V, Test Circuit 1	+25°C		4	5.5	Ω
			- 40°C to +85°C			6.5	
On-Resistance Match Between Channels	ΔR _{ON}	V ₊ = 4.2 V, I _{X-} , I _{Y-} = -100 mA, V _X , V _Y = 1 V, Test Circuit 1	+25°C		0.16	1	Ω
			- 40°C to +85°C			1.5	
On-Resistance Flatness	R _{FLAT(ON)}	V ₊ = 4.2 V, I _{X-} , I _{Y-} = -100 mA, V _X , V _Y = 1 V, Test Circuit 1	+25°C		1.6	2.2	Ω
			- 40°C to +85°C			2.8	
Source OFF Leakage current	I _{X-(OFF)} , I _{Y-(OFF)}	V ₊ = 4.2 V, V _{X-} , V _{Y-} = 3.3 V, 0.3 V, V _X , V _Y = 0.3 V, 3.3 V	- 40°C to +85°C			1	μA
Channel ON Leakage current	I _{X-(ON)} , I _{Y-(ON)} , I _{X(ON)} , I _{Y(ON)}	V ₊ = 4.2 V, V _X , V _Y = 0.3 V, 3.3 V, V _{X-} , V _{Y-} = 0.3 V, 3.3 V or floating	- 40°C to +85°C			1	μA
DIGITAL INPUTS							
Input High Voltage	V _{INH}		- 40°C to +85°C	1.6			V
Input Low Voltage	V _{INL}		- 40°C to +85°C			0.5	V
Input Leakage Current	I _{IN-}	V _A , V _B = V _{ENABLE} = 0 V or 4.2 V	- 40°C to +85°C			1	μA
DYNAMIC CHARACTERISTICS							
Turn-On Time	t _{ON}	V _{IN} = 1.5 V to 0.5 V, V _X or V _Y = 2.1 V	+25°C		17.0		ns
Turn-Off Time	t _{OFF}	R _L = 50 Ω, C _L = 35 pF, Test Circuit 2	+25°C		9.0		
Address Transition Time	t _{TRANS}	V _{IN} = 4.2 V to 0 V, V _X or V _Y = 2.1 V, R _L = 50 Ω, C _L = 35 pF, Test Circuit 3	+25°C		17.2		ns
Break-Before-Make Time Delay	t _D	V _{IN} = 4.2 V to 0 V, V _X or V _Y = 2.1 V, R _L = 50 Ω, C _L = 35 pF, Test Circuit 4	+25°C		14.0		ns
Charge Injection	Q	C _L = 1 nF, Test Circuit 5	+25°C		-18		pC
Off Isolation	O _{ISO}	V _{IN} = 0 dBm, V _{BIAS} = 2.1 V, R _L = 50 Ω, C _L = 35 pF, Test Circuit 6	1MHz	+25°C		-60	dB
			10MHz	+25°C		-40	
Channel-to-Channel Crosstalk	X _{TALK}	V _{IN} = 0 dBm, V _{BIAS} = 2.1 V, R _L = 50 Ω, C _L = 35 pF, Test Circuit 6	1MHz	+25°C		-105	dB
			10MHz	+25°C		-92	
Bandwidth -3 dB	BW	V _{IN} = 0 dBm, V _{BIAS} = 2.1 V, R _L = 50 Ω, Test Circuit 6	+25°C		150		MHz
Channel ON Capacitance	C _{X-(ON)} , C _{Y-(ON)} , C _{X(ON)} , C _{Y(ON)}		+25°C		51.6		pF
POWER REQUIREMENTS							
Power Supply Range	V ₊		- 40°C to +85°C	1.8		4.2	V
Power Supply Current	I ₋	V ₊ = 4.2 V, V _A , V _B , V _{ENABLE} = 4.2 V or 0 V	- 40°C to +85°C			1	μA

Specifications subject to change without notice.

ELECTRICAL CHARACTERISTICS

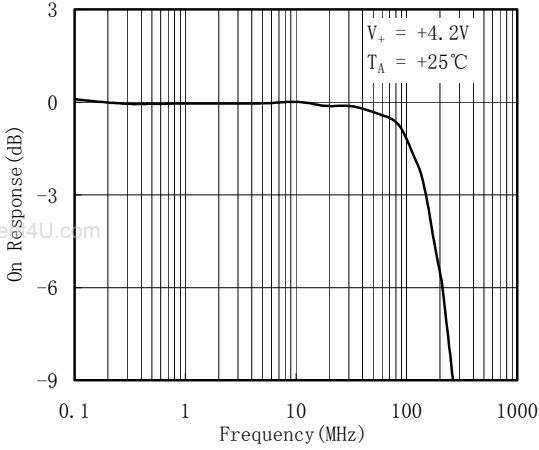
(V₊ = +2.7V to +3.6V, GND = 0V, V_{IH} = +1.6V, V_{IL} = +0.4V, T_A = - 40°C to +85°C. Typical values are at V₊ = +3.0V, T_A = + 25°C, unless otherwise noted.)

PARAMETER	SYMBOL	CONDITIONS	TEMP	MIN	TPY	MAX	UNITS
ANALOG SWITCH							
Analog Signal Range	V _{X-} , V _{Y-} , V _X , V _Y		- 40°C to +85°C	0		V ₊	V
On-Resistance	R _{ON}	V ₊ = 2.7 V, I _{X-} , I _{Y-} = -100 mA, V _X , V _Y = 1 V, Test Circuit 1	+25°C		5	6	Ω
			- 40°C to +85°C			7	
On-Resistance Match Between Channels	ΔR _{ON}	V ₊ = 2.7 V, I _{X-} , I _{Y-} = -100 mA, V _X , V _Y = 1 V, Test Circuit 1	+25°C		0.03	1	Ω
			- 40°C to +85°C			1.5	
On-Resistance Flatness	R _{FLAT(ON)}	V ₊ = 2.7 V, I _{X-} , I _{Y-} = -100 mA, V _X , V _Y = 1 V, Test Circuit 1	+25°C		1.8	2.2	Ω
			- 40°C to +85°C			2.8	
Source OFF Leakage current	I _{X-(OFF)} , I _{Y-(OFF)}	V ₊ = 3.6 V, V _{X-} , V _{Y-} = 3.3 V, 0.3 V, V _X , V _Y = 0.3 V, 3.3 V	- 40°C to +85°C			1	μA
Channel ON Leakage current	I _{X-(ON)} , I _{Y-(ON)} , I _{X(ON)} , I _{Y(ON)}	V ₊ = 3.6V, V _X , V _Y = 0.3 V, 3.3 V, V _{X-} , V _{Y-} = 0.3V, 3.3V or floating	- 40°C to +85°C			1	μA
DIGITAL INPUTS							
Input High Voltage	V _{INH}		- 40°C to +85°C	1.5			V
Input Low Voltage	V _{INL}		- 40°C to +85°C			0.4	V
Input Leakage Current	I _{IN-}	V _A , V _B = V _{ENABLE} = 0 V or 2.7 V	- 40°C to +85°C			1	μA
DYNAMIC CHARACTERISTICS							
Turn-On Time	t _{ON}	V _{IN} = 1.5 V to 0.5 V, V _X or V _Y = 1.5 V, R _L = 50 Ω, C _L = 35 pF, Test Circuit 2	+25°C		33.0		ns
Turn-Off Time	t _{OFF}		+25°C		9.0		
Address Transition Time	t _{TRANS}	V _{IN} = 1.5 V to 0 V, V _X or V _Y = 1.5 V, R _L = 50 Ω, C _L = 35 pF, Test Circuit 3	+25°C		17.5		ns
Break-Before-Make Time Delay	t _d	V _{IN} = 1.5 V to 0 V, V _X or V _Y = 1.5 V, R _L = 50 Ω, C _L = 35 pF, Test Circuit 4	+25°C		14.5		ns
Charge Injection	Q	C _L = 1nF, Test Circuit 5	+25°C		-18		pC
Off Isolation	O _{ISO}	V _{IN} = 0 dBm, V _{BIAS} = 1.5 V, R _L = 50 Ω, C _L = 35 pF, Test Circuit 6	1MHz	+25°C		-60	dB
			10MHz	+25°C		-40	
Channel-to-Channel Crosstalk	X _{TALK}	V _{IN} = 0 dBm, V _{BIAS} = 1.5 V, R _L = 50 Ω, C _L = 35 pF, Test Circuit 6	1MHz	+25°C		-105	dB
			10MHz	+25°C		-92	
Bandwidth -3 dB	BW	V _{IN} = 0 dBm, V _{BIAS} = 1.5 V, R _L = 50 Ω Test Circuit 6	+25°C		150		MHz
Channel ON Capacitance	C _{X-(ON)} , C _{Y-(ON)} , C _{X(ON)} , C _{Y(ON)}		+25°C		51.6		pF

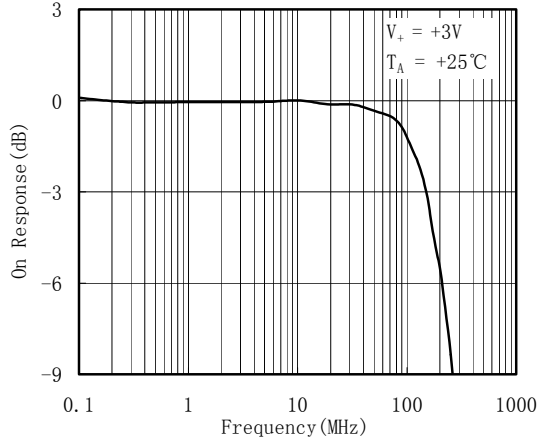
Specifications subject to change without notice.

TYPICAL PERFORMANCE CHARACTERISTICS

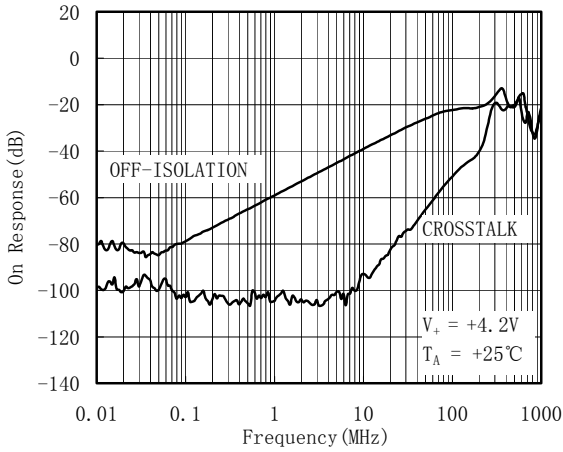
On Response vs. Frequency



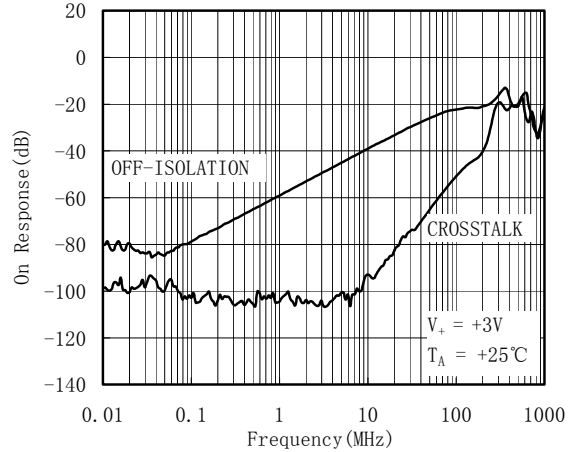
On Response vs. Frequency



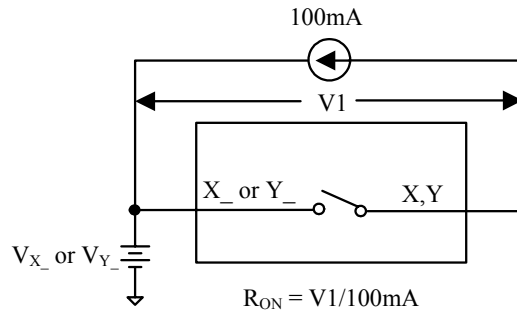
Response vs. Frequency



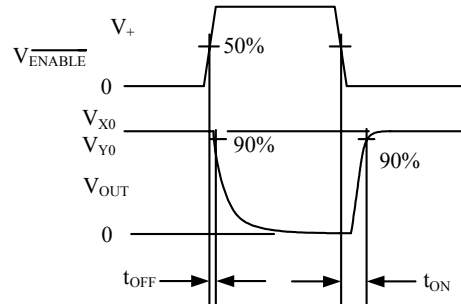
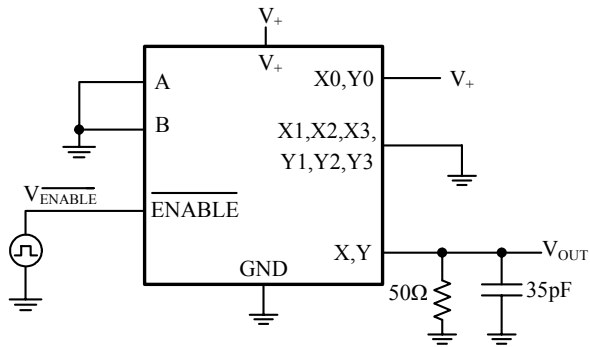
Response vs. Frequency



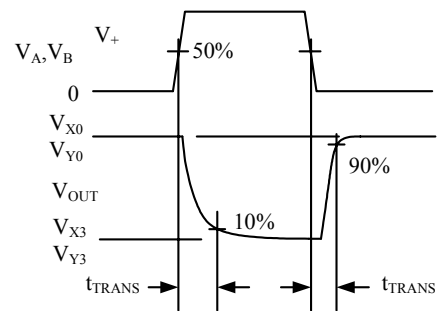
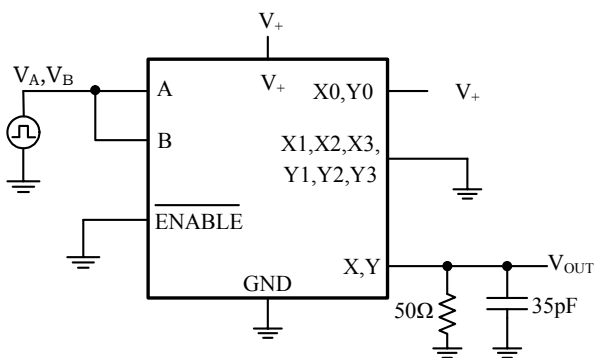
TEST CIRCUITS



Test Circuit 1. On Resistance

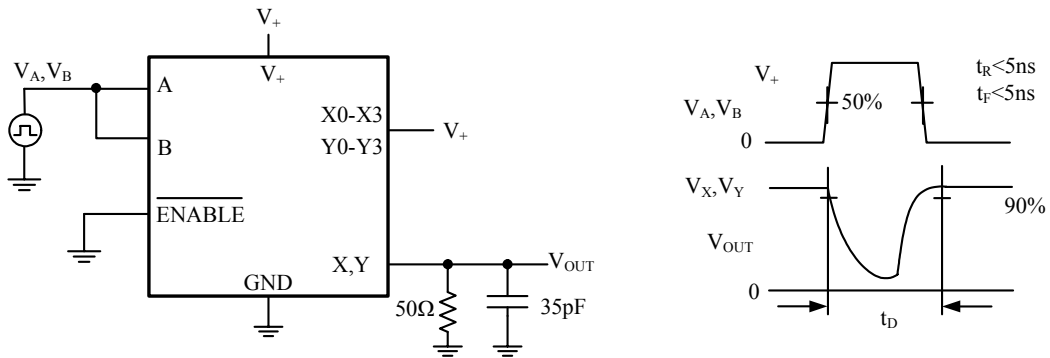


Test Circuit 2. Enable Switching Times (t_{ON} , t_{OFF})

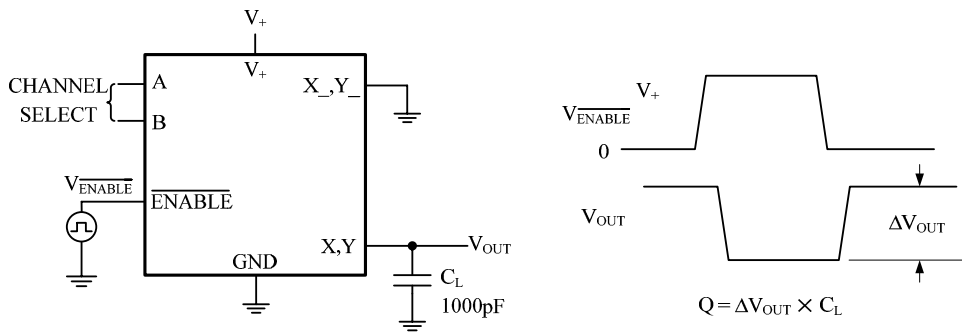


Test Circuit 3. Address Transition Times (t_{TRANS})

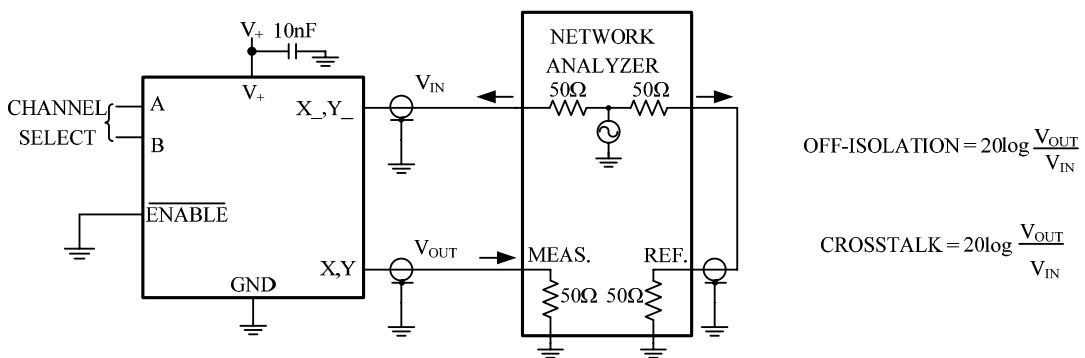
TEST CIRCUITS (Cont.)



Test Circuit 4. Break-Before-Make Interval (t_D)



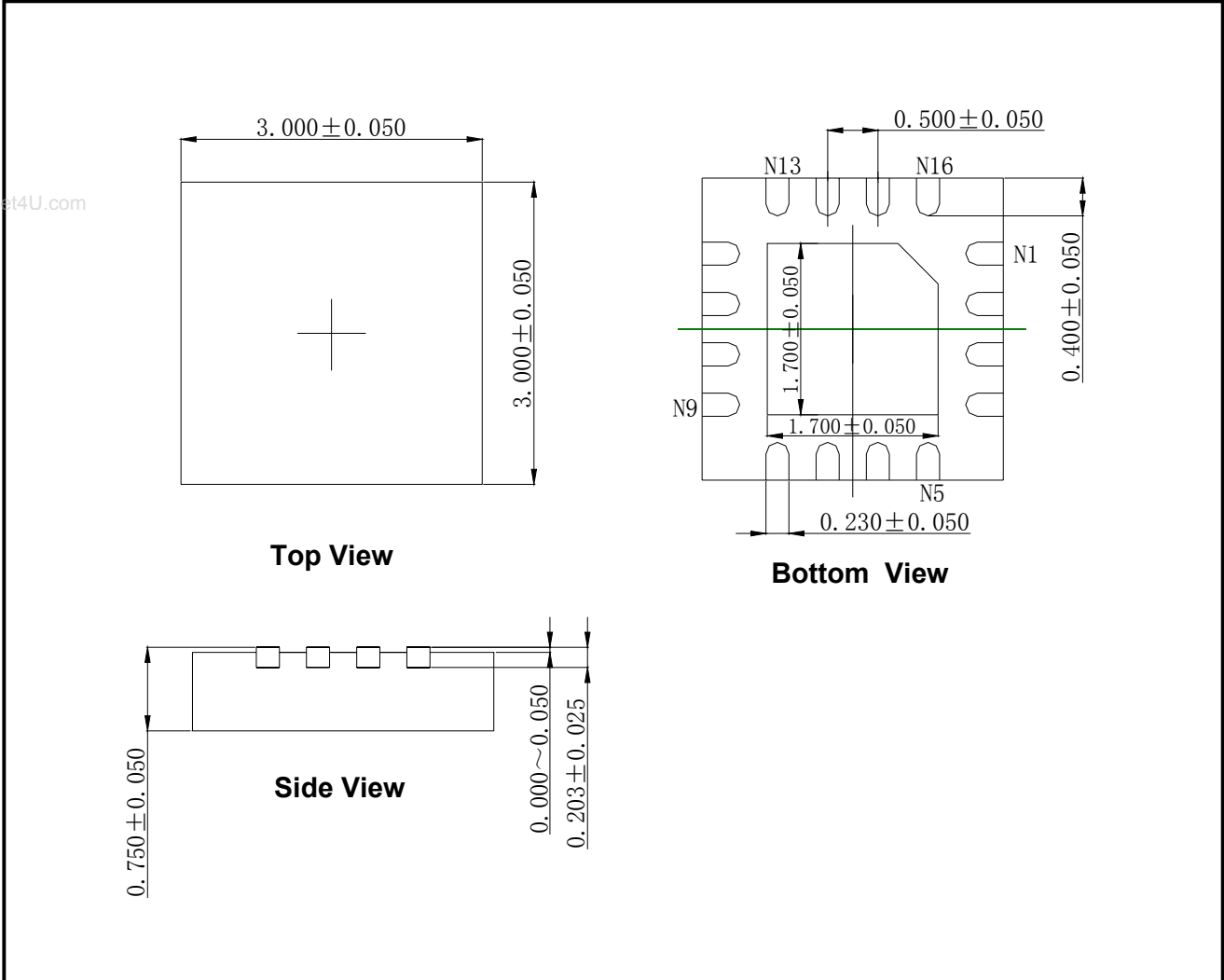
Test Circuit 5. Charge Injection (Q)



Test Circuit 6. -3dB Bandwidth, Off-Isolation and Crosstalk

PACKAGE OUTLINE DIMENSIONS

TQFN-16

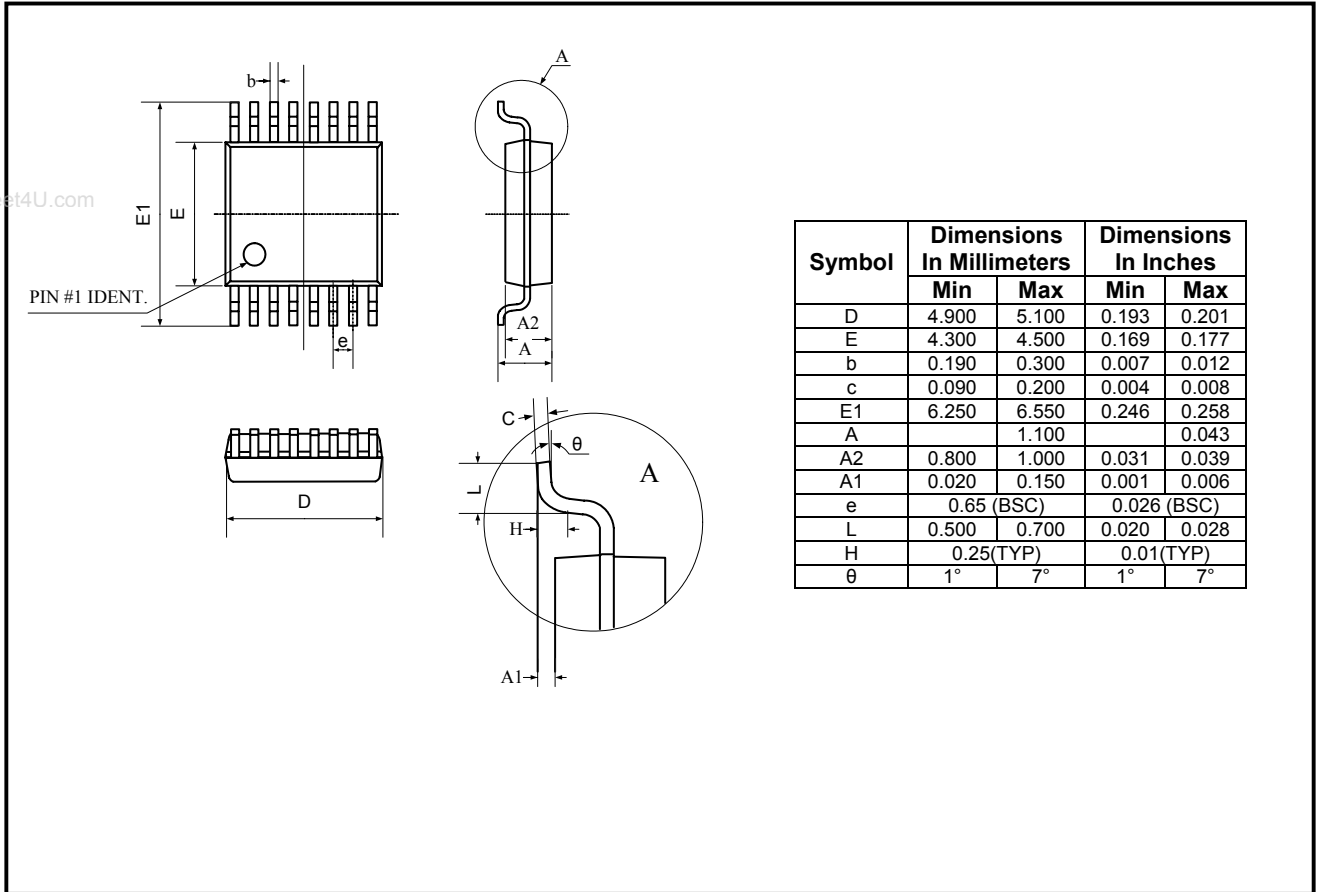


Note: All linear dimensions are in millimeters.

PACKAGE OUTLINE DIMENSIONS

TSSOP-16

www.DataSheet4U.com



Symbol	Dimensions In Millimeters		Dimensions In Inches	
	Min	Max	Min	Max
D	4.900	5.100	0.193	0.201
E	4.300	4.500	0.169	0.177
b	0.190	0.300	0.007	0.012
c	0.090	0.200	0.004	0.008
E1	6.250	6.550	0.246	0.258
A		1.100		0.043
A2	0.800	1.000	0.031	0.039
A1	0.020	0.150	0.001	0.006
e	0.65 (BSC)		0.026 (BSC)	
L	0.500	0.700	0.020	0.028
H	0.25(TYP)		0.01(TYP)	
θ	1°	7°	1°	7°

REVISION HISTORY

Location

Page

10/2007—Preliminary Datasheet

01/2008—Data Sheet REV.A

www.DataSheet4U.com

SG Microelectronics Co., Ltd

A2608, NO.72 North Road
Xisanhuan, Haidian District,
Beijing, China 100037
Tel: 86-10-51798160/80
Fax: 86-10-51798180-803
www.sg-micro.com