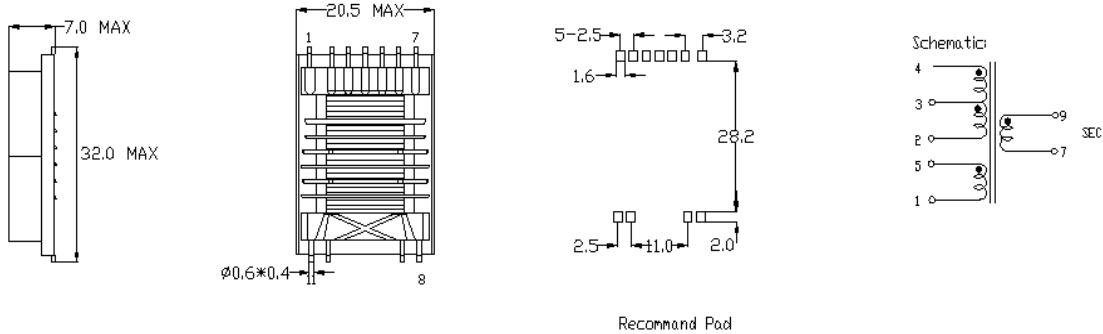


CCFL Driving Inverter Transformer

INT013S TYPE (EPC19)

Mechanical Dimension:Unit:mm

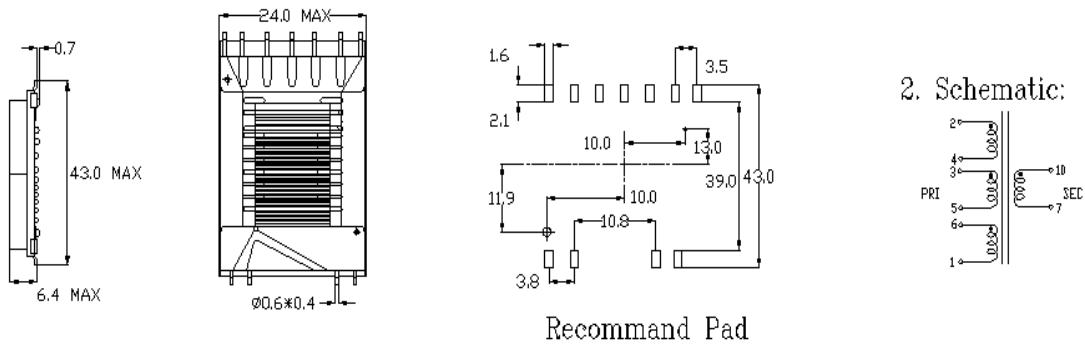


Characteristic(reference)

PART NO.	INPUTVOLTAGE (Vdc)	SUITABLE FREQUENCY (KHZ)	MAX. LAMP WATTE (W)	MAX. OPEN VOLTAGE (Vrms)	EFFICIENCY (%)
INT013S-1	12.0	30-80	10.0	1500	80

INT014S TYPE (EPC23)

Mechanical Dimension:Unit:mm



Characteristic(reference)

PART NO.	INPUTVOLTAGE (Vdc)	SUITABLE FREQUENCY (KHZ)	MAX. LAMP WATTE (W)	MAX. OPEN VOLTAGE (Vrms)	EFFICIENCY (%)
INT014S-1	12.0	30-80	10.0	1800	80



沙井欣旺电子有限公司

XINWANG ELECTRONICS, INC. [HTTP://:WWW.XINWANGELE.COM](http://www.xinwangele.com)
 TEL: 0755-29696626 FAX: 0755-27289711
 E-mail: sales@xinwangele.com