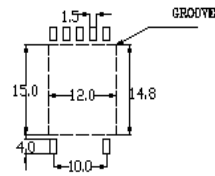
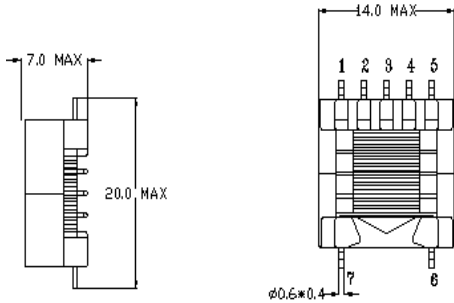


# CCFL Driving Inverter Transformer

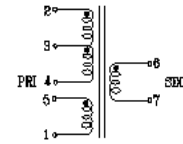
## INT011ST TYPE (EPC13)

Mechanical Dimension:Unit:mm



Recommand Pad

2. SCHEMATIC :

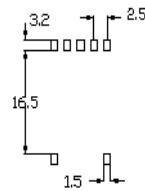
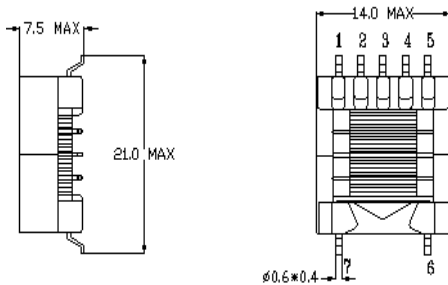


Characteristic(reference)

PART NO.	INPUTVOLTAGE (Vdc)	SUITABLE FREQUENCY (KHZ)	MAX. LAMP WATTE (W)	MAX. OPEN VOLTAGE (Vrms)	EFFICIENCY (%)
INT011S-1	12.0	30-80	3.0	1200	80

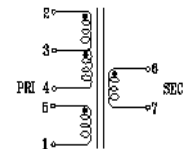
## INT012S TYPE (EPC13)

Mechanical Dimension:Unit:mm



Recommand Pad

2. SCHEMATIC :



Characteristic(reference)

PART NO.	INPUTVOLTAGE (Vdc)	SUITABLE FREQUENCY (KHZ)	MAX. LAMP WATTE (W)	MAX. OPEN VOLTAGE (Vrms)	EFFICIENCY (%)
INT012S-1	12.0	30-80	3.0	1200	80



沙井欣旺电子有限公司

XINWANG ELECTRONICS, INC. [HTTP://:WWW.XINWANGELE.COM](http://www.xinwangele.com)  
 TEL: 0755-29696626 FAX: 0755-27289711  
 E-mail: sales@xinwangele.com