

***THIS DOCUMENT IS FOR MAINTENANCE
PURPOSES ONLY AND IS NOT
RECOMMENDED FOR NEW DESIGNS***



SP8630

600MHz ÷ 10

The SP8630 is an asynchronous emitter coupled logic divider which provides an ECLIII/10K compatible output when used with an external pulldown resistor. It requires an AC coupled input of 600mV p-p.

FEATURES

- ECL Compatible Outputs
- AC-Coupled Inputs (Internal Bias)

QUICK REFERENCE DATA

- Supply Voltage: -5.2V
- Power Consumption: 350mW
- Temperature Range: -30°C to +70°C

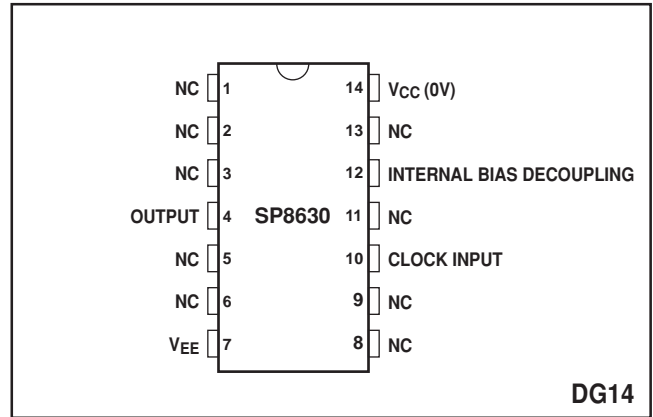


Fig. 1 Pin connections - top view

ABSOLUTE MAXIMUM RATINGS

Supply voltage, V_{EE}	-8V
Output current	15mA
Storage temperature range	-65°C to +150°C
Max. junction temperature	+175°C
Max. clock input voltage	2.5V p-p

ORDERING INFORMATION

SP8630 B DG
5962-92003 (SMD)

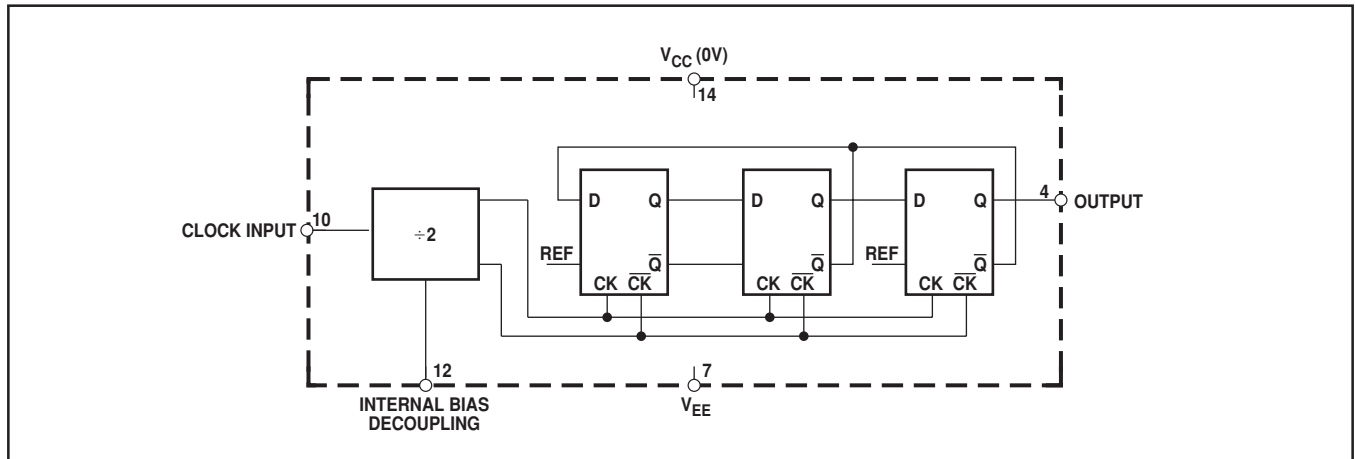


Fig. 2 Functional diagram

ELECTRICAL CHARACTERISTICS

Unless otherwise stated, the Electrical Characteristics are guaranteed over specified supply, frequency and temperature range

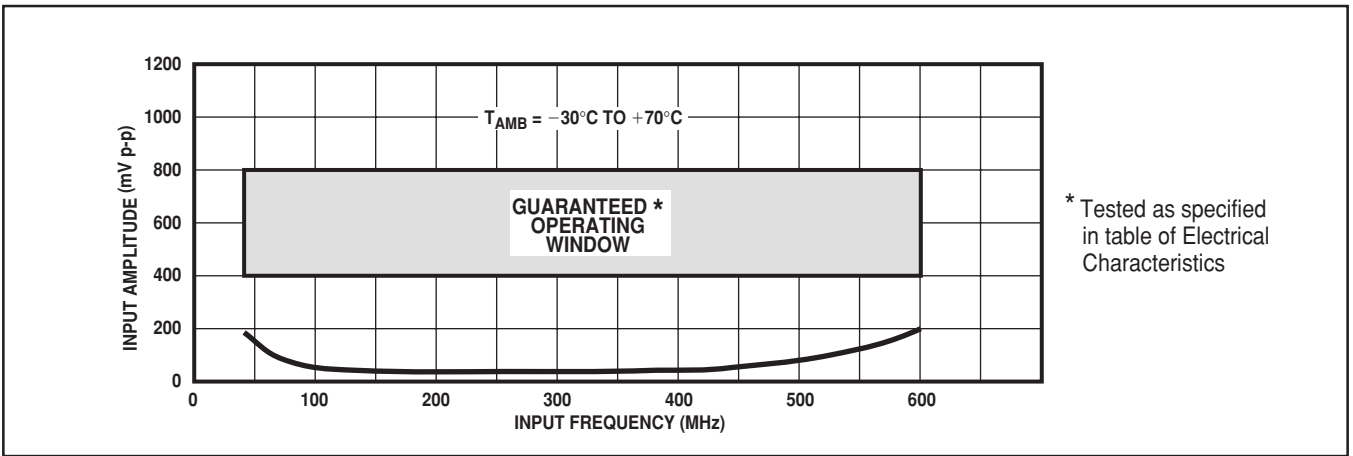
Supply voltage, $V_{CC} = 0V$, $V_{EE} = -5.2V \pm 0.25V$

Temperature, $T_{AMB} = -30^{\circ}C$ to $+70^{\circ}C$

Characteristic	Symbol	Value		Units	Conditions	Notes
		Min.	Max.			
Maximum frequency (sinewave input)	f_{MAX}	600		MHz	Input = 400-800mV p-p	
Minimum frequency (sinewave input)	f_{MIN}		40	MHz	Input = 400-800mV p-p	
Power supply current	I_{EE}		70	mA	$V_{EE} = -5.2V$	
Output low voltage	V_{OL}	-1.8	-1.5	V	$V_{EE} = -5.2V$	3
Output high voltage	V_{OH}	-0.85	-0.7	V	$V_{EE} = -5.2V$	3
Minimum output swing	V_{OUT}	400		mV	$V_{EE} = -5.2V$	

NOTES

1. The temperature coefficients of $V_{OH} = +1.63mV/^{\circ}C$, and $V_{OL} = +0.94mV/^{\circ}C$ but these are not tested.
2. The test configuration for dynamic testing is shown in Fig.5.
3. Tested at $25^{\circ}C$ only.



* Tested as specified in table of Electrical Characteristics

Fig. 3 Typical input characteristic

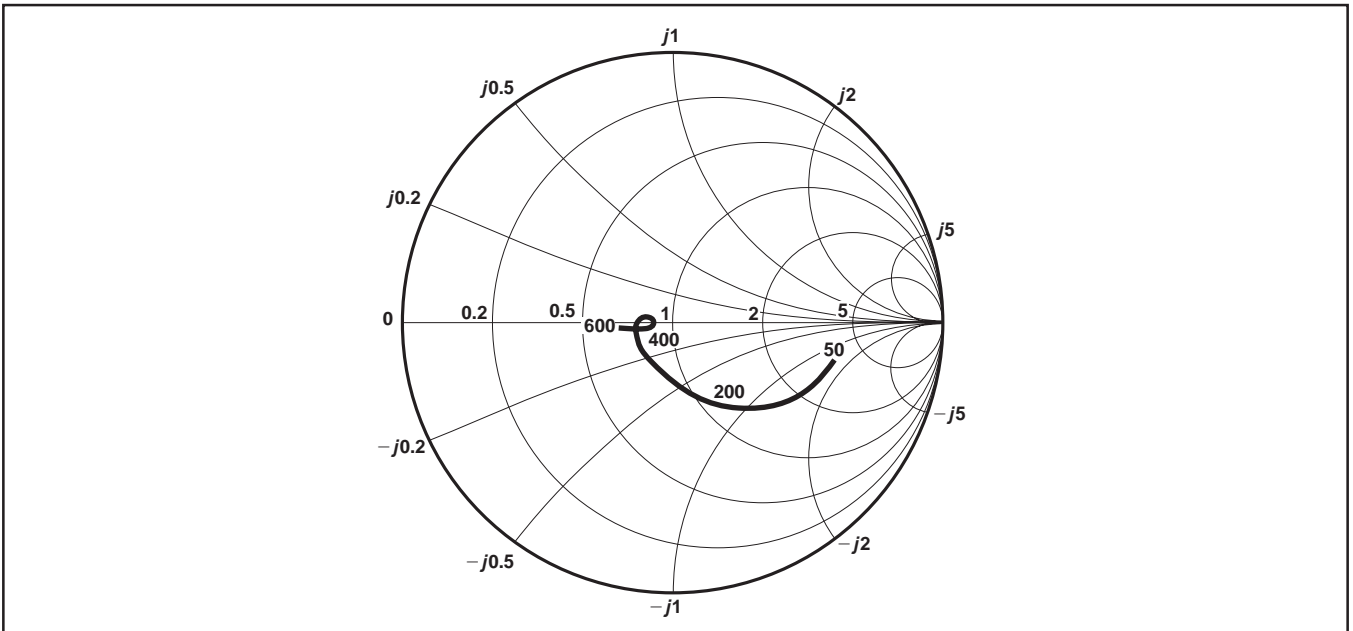


Fig. 4 Typical input impedance. Test conditions: supply voltage = $-5.2V$, ambient temperature = $25^{\circ}C$, frequencies in MHz, Impedances normalised to 50Ω

OPERATING NOTES

1. The clock input (pin 10) should be capacitively coupled to the signal source. The input signal path is completed by connecting a capacitor from the internal bias decoupling, pin 12, to ground.
 2. The circuit will operate down to DC but slew rate must be better than 100V/ μ s.

3. The output is compatible with ECLII. There is an internal load of 3k Ω at the output. The output can be interfaced to ECLIII/10K by the addition of 1.5k Ω to the output to increase the output voltage swing.
 4. Input impedance is a function of frequency, see Fig. 4.
 5. All components should be suitable for the frequency in use.

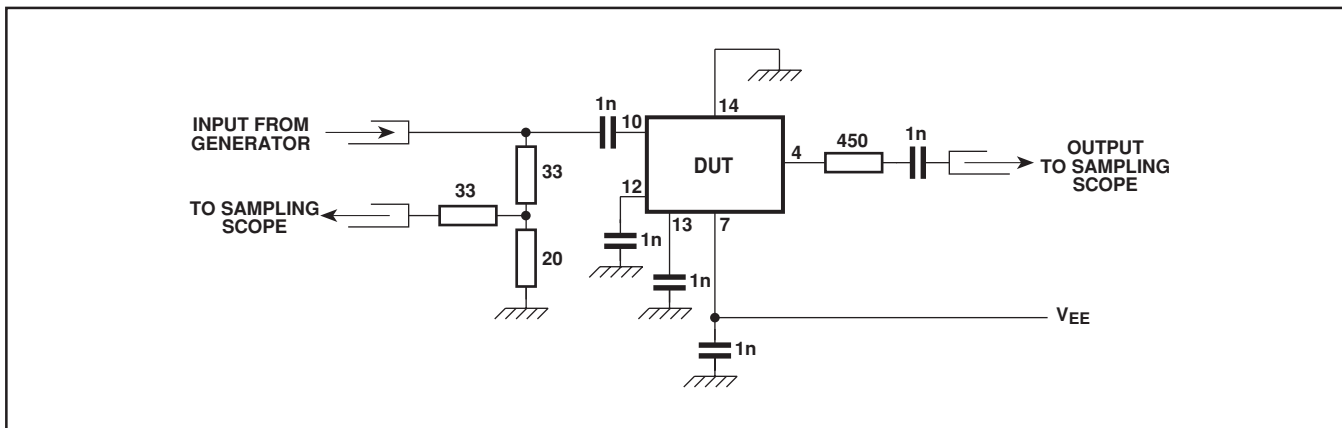


Fig. 5 Test circuit

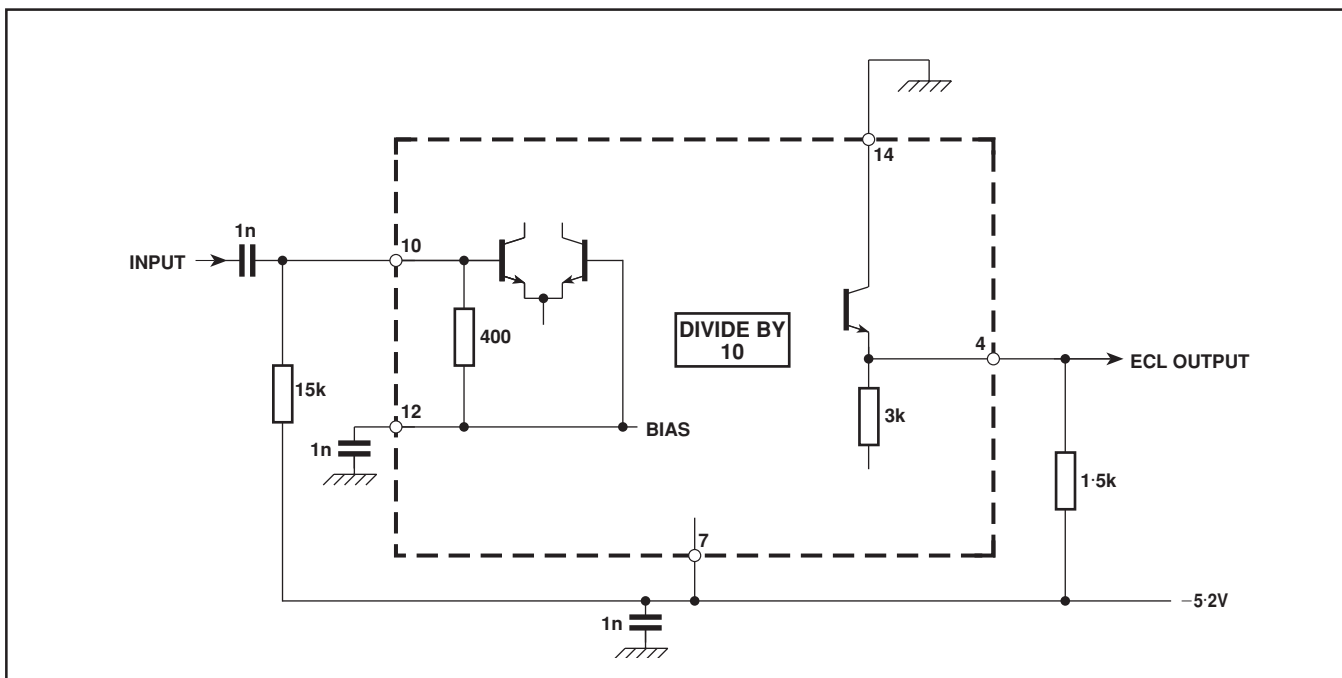
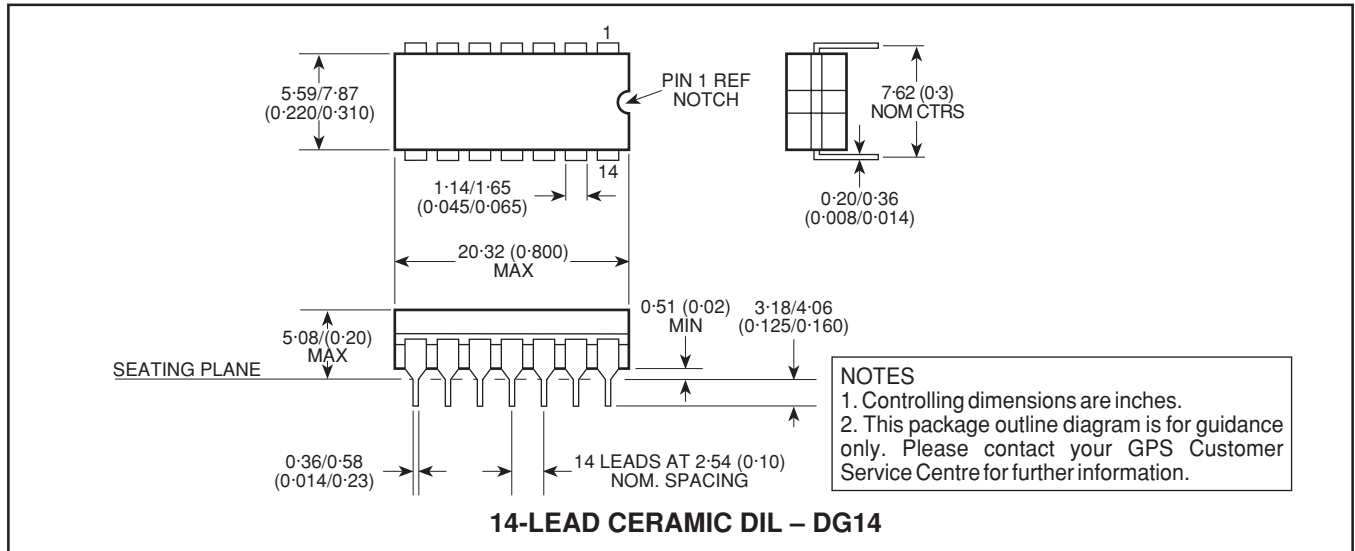


Fig. 6 Typical application showing interfacing

PACKAGE DETAILS

Dimensions are shown thus: mm (in).



HEADQUARTERS OPERATIONS
GEC PLESSEY SEMICONDUCTORS
 Cheney Manor, Swindon,
 Wiltshire SN2 2QW, United Kingdom.
 Tel: (0793) 518000
 Fax: (0793) 518411

GEC PLESSEY SEMICONDUCTORS
 P.O. Box 660017
 1500 Green Hills Road,
 Scotts Valley, CA95067-0017
 United States of America.
 Tel (408) 438 2900
 Fax: (408) 438 5576

CUSTOMER SERVICE CENTRES

- **FRANCE & BENELUX** Les Ulis Cedex Tel: (1) 64 46 23 45 Fax : (1) 64 46 06 07
- **GERMANY** Munich Tel: (089) 3609 06-0 Fax : (089) 3609 06-55
- **ITALY** Milan Tel: (02) 66040867 Fax: (02) 66040993
- **JAPAN** Tokyo Tel: (3) 5276-5501 Fax: (3) 5276-5510
- **NORTH AMERICA** Scotts Valley, USA Tel: (408) 438 2900 Fax: (408) 438 7023.
- **SOUTH EAST ASIA** Singapore Tel: (65) 3827708 Fax: (65) 3828872
- **SWEDEN** Stockholm Tel: 46 8 702 97 70 Fax: 46 8 640 47 36
- **UK, EIRE, DENMARK, FINLAND & NORWAY**
 Swindon Tel: (0793) 518510 Fax : (0793) 518582

These are supported by Agents and Distributors in major countries world-wide.

© GEC Plessey Semiconductors 1994 Publication No. DS3664 Issue No. 1.2 March 1994

This publication is issued to provide information only which (unless agreed by the Company in writing) may not be used, applied or reproduced for any purpose nor form part of any order or contract nor to be regarded as a representation relating to the products or services concerned. No warranty or guarantee express or implied is made regarding the capability, performance or suitability of any product or service. The Company reserves the right to alter without prior knowledge the specification, design or price of any product or service. Information concerning possible methods of use is provided as a guide only and does not constitute any guarantee that such methods of use will be satisfactory in a specific piece of equipment. It is the user's responsibility to fully determine the performance and suitability of any equipment using such information and to ensure that any publication or data used is up to date and has not been superseded. These products are not suitable for use in any medical products whose failure to perform may result in significant injury or death to the user. All products and materials are sold and services provided subject to the Company's conditions of sale, which are available on request.