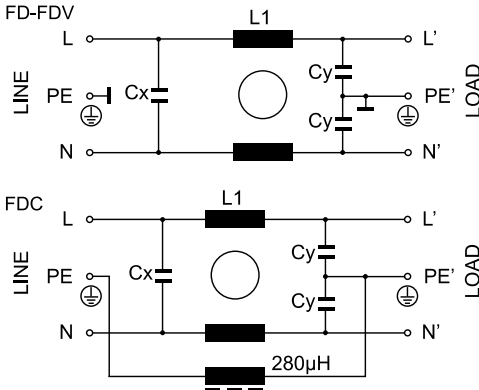


FD/FDC/FDV

IEC Connector Filter

www.DataSheet4U.com

Electrical schematics



RFI Power Line Filters

General Specifications

Maximum operating voltage: 250Vac.
 Operating frequency: DC - 60Hz.
 Hipot test voltage: L/N->PE: 1800Vac 2s.
 L->N: 1700 Vdc 2s.

Application class:
 HPF Acc. TO DIN 40040
 (-25°C/+85°C/95% RH, 30d).
 Flammability class: UL 94 V2.

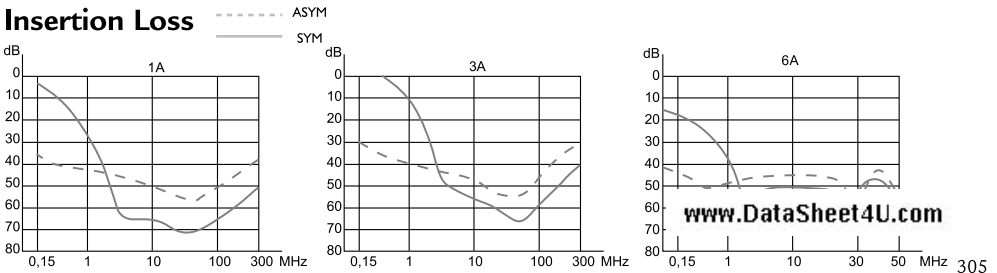
IEC connector filter

IEC connector filter. General purpose.
 FD: IEC connector filter.
 FDC: With earth inductor. High immunity.
 FDV: With voltage protection.

Product List

| TYPE | I | L1 | CX | CY | HOUSING | L.CURRENT | CONNECTION | WEIGHT ±g |
|--------|-------|--------|-------|--------|---------|-----------|--------------|--------------|
| FD-1X | 1 Amp | 2 mH | 10 nF | 2,2 nF | 242 | 0,21mA | AWG18 WIRE | 62 |
| FD-1Z | | | | | 241 | | FASTON 6,3mm | 50 |
| FD-3X | 3 Amp | 1,3 mH | 10 nF | 2,2 nF | 242 | 0,21mA | AWG18 WIRE | 52 |
| FD-3Z | | | | | 241 | | FASTON 6,3mm | 51 |
| FD-6X | 6 Amp | 0,8 mH | 10 nF | 2,2 nF | 242 | 0,21mA | AWG18 WIRE | 62 |
| FD-6Z | | | | | 241 | | FASTON 6,3mm | 55 |
| FDC-1X | 1 Amp | 2 mH | 10 nF | 2,2 nF | 244 | 0,21mA | AWG18 WIRE | 110 |
| FDC-1Z | | | | | 243 | | FASTON 6,3mm | 100 |
| FDC-3X | 3 Amp | 1,3 mH | 10 nF | 2,2 nF | 244 | 0,21mA | AWG18 WIRE | 102 |
| FDC-3Z | | | | | 243 | | FASTON 6,3mm | 92 |
| FDC-6X | 6 Amp | 0,8 mH | 10 nF | 2,2 nF | 244 | 0,21mA | AWG18 WIRE | 120 |
| FDC-6Z | | | | | 243 | | FASTON 6,3mm | 110 |
| FDV-1X | 1 Amp | 2 mH | 10 nF | 2,2 nF | 244 | 0,21mA | AWG18 WIRE | 110 |
| FDV-1Z | | | | | 243 | | FASTON 6,3mm | 100 |
| FDV-3X | 3 Amp | 1,3 mH | 10 nF | 2,2 nF | 244 | 0,21mA | AWG18 WIRE | 102 |
| FDV-3Z | | | | | 243 | | FASTON 6,3mm | 92 |
| FDV-6X | 6 Amp | 0,8 mH | 10 nF | 2,2 nF | 244 | 0,21mA | AWG18 WIRE | 120 |
| FDV-6Z | | | | | 243 | | FASTON 6,3mm | 110 |

Insertion Loss



www.DataSheet4U.com